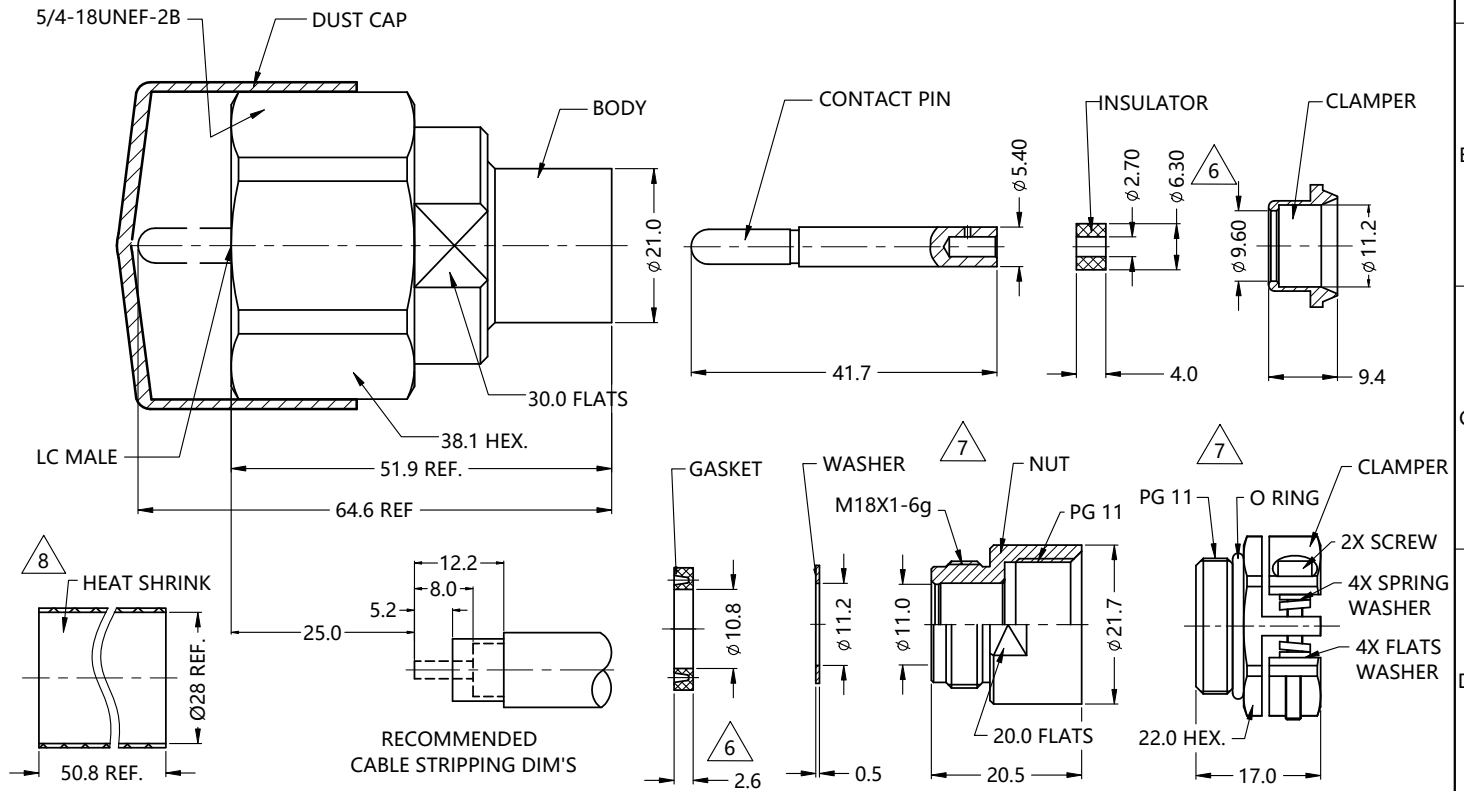


REV	DESCRIPTION	ECN NO.	NAME	DATE
4	UPDATE DRAWING	N/A	ZLX	2018-07-05
5	UPDATE DRAWING	N/A	QGZ	2020-06-19
6	UPDATE THE SIZE	N/A	HRWEI	2020-11-10
7	UPDATE THE DRAWING	N/A	HRWEI	2020-11-12
8	ADD HEAT SHRINK	N/A	Liu	2021-07-15



ALL PARTS MUST MEET TO RoHS REQUIREMENTS



MATERIALS AND PLATING		UNIT: MICRO-INCHES
PART NAME	MATERIALS	PLATING
BODY	BRASS C3604	NICKEL 100u"/COPPER
CONTACT PIN	BRASS C3604	SILVER 200u"/COPPER
INSULATOR	PTFE ASTM-D-1710	N/A
NUT	BRASS C3604	NICKEL 100u"/COPPER

ELECTRICAL CHARACTERISTICS		
IMPEDANCE	50 Ω	
VOLTAGE RATING	N/A	
FREQUENCY RANGE	0~ 100 MHz	
DIELECTRIC WITHSTANDING VOLTAGE	>2500 V	
CONTACT RESISTANCE	CENTER CONTACT	<1.5 mΩ
	OUTER CONTACT	<1.0 mΩ
INSULATION RESISTANCE	>5000 MΩ	
INSERTION LOSS	<0.1x√ F (GHz) db	
VSWR	<1.25	
3RD INTERMODULATION	N/A	

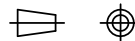
MECHANICAL CHARACTERISTICS	
FORCE TO ENGAGE AND DISENGAGE	<6 lbs
CENTER CONTACT RETENTION FORCE	>6 lbs
RECOMMENDED COUPLING TORQUE	>60 in-lbs
COUPLING NUT RETENTION FORCE	>100 lbs
DURABILITY	>500cycles

ENVIRONMENTAL PARAMETER	
TEMPERATURE RANGE	-40 °C~+125 °C
THERMAL SHOCK	MIL- STD 202, Meth. 107,Cond. B
VIBRATION	MIL- STD 202, Meth. 204,Cond. B
SHOCK	MIL- STD 202, Meth. 213,Cond. I

* CUSTOMER OUTLINE DRAWING

UNLESS OTHERWISE SPECIFIED:
 1) EDGES : C0.15 MAX ;
 2) REMOVE ALL BURRS ;
 3) SURFACE ROUGHNESS : Ra1.6 ;
 4) UNITS : mm ;
 5) DIMENSIONS TOLERANCES
 DECIMALS : .x ±0.3 .xx ±0.2 .xxx±0.1;
 ANGLES : ± 5°.

THIRD ANGLE PROJECTION



APPROVED :

CUSTOMER P/N :

CHECKED :

SCALE :

1: 1

DRAWING :

DATE : 2021-07-15

PAGE : 1/1



TITLE : LC MALE S/T
FOR RG393/RG213/RG214 CABLE, 50Ω

DRAWING NO. : 5LCM14S-A253

COMPANY WEBSITE : www.slkcorp.com

CUSTOMER OUTLINE DRAWING