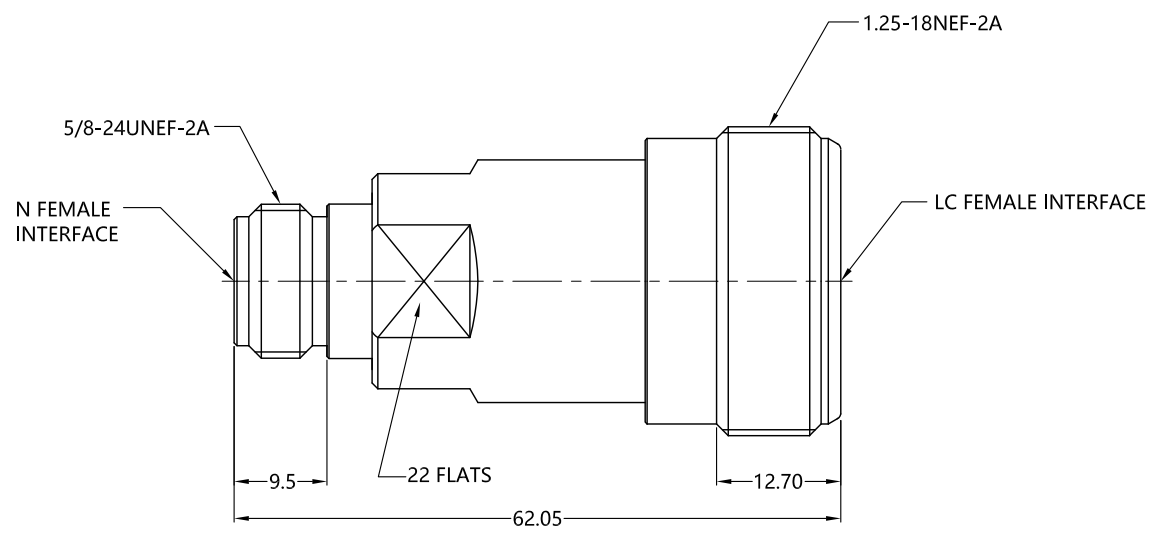


REV.	DESCRIPTION	ECN NO.	NAME	DATE
0	FIRST EDITION	N/A	YWD	2017-06-13
1	CHANE FREQUENCY RANGE	N/A	LIU	2020-04-16
2	UPDATE DRAWING	N/A	QGZ	2020-08-12
3	UPDATE DRAWING	N/A	QGZ	2020-11-04



ALL PARTS MUST MEET TO RoHS REQUIREMENTS



MATERIALS AND PLATING		UNIT: MICRO-INCHES
PART NAME	MATERIALS	PLATING
BODY	BRASS C3604	ALBALOY 80~180u"/NICKEL
INSULATOR	PTFE ASTM-D-1710	N/A
CONTACT PIN	Be-Cu C17300	PL.GOLD5u"/NICKEL/COPPER

ELECTRICAL CHARACTERISTICS	
IMPEDANCE	50 Ω
VOLTAGE RATING	835 V(rms)
FREQUENCY RANGE	0 ~ 3 GHz
DIELECTRIC WITHSTANDING VOLTAGE	>2500 V
CONTACT RESISTANCE	CENTER CONTACT
	OUTER CONTACT
INSULATION RESISTANCE	>5000 MΩ
INSERTION LOSS	N/A
VSWR	<1.2
3RD INTERMODULATION	N/A

MECHANICAL CHARACTERISTICS	
FORCE TO ENGAGE AND DISENGAGE	N/A
CENTER CONTACT RETENTION FORCE	>6 lbs
RECOMMENDED COUPLING TORQUE	N/A
COUPLING NUT RETENTION FORCE	N/A
DURABILITY	>500cycles

ENVIRONMENTAL PARAMETER	
TEMPERATURE RANGE	-40 °C~+125 °C

**\* CUSTOMER OUTLINE DRAWING**

UNLESS OTHERWISE SPECIFIED:  
 1) EDGES : C0.15 MAX ;  
 2) REMOVE ALL BURRS ;  
 3) SURFACE ROUGHNESS : Ra1.6 ;  
 4) UNITS : mm ;  
 5) DIMENSIONS TOLERANCES  
 DECIMALS : .x ±0.3 .xx ±0.2 .xxx±0.1;  
 ANGLES : ± 5°.

THIRD ANGLE PROJECTION	
APPROVED :	CUSTOMER P/N :
CHECKED :	SCALE : 1 : 1
DRAWING :	DATE : 2020-11-04
PAGE : 1/1	



TITLE : N FEMALE TO LC FEMALE S/T ADAPTOR, 50Ω  
 DRAWING NO. : 5LCF06S-NCF  
 COMPANY WEBSITE : www.slkcorp.com

CUSTOMER OUTLINE DRAWING