
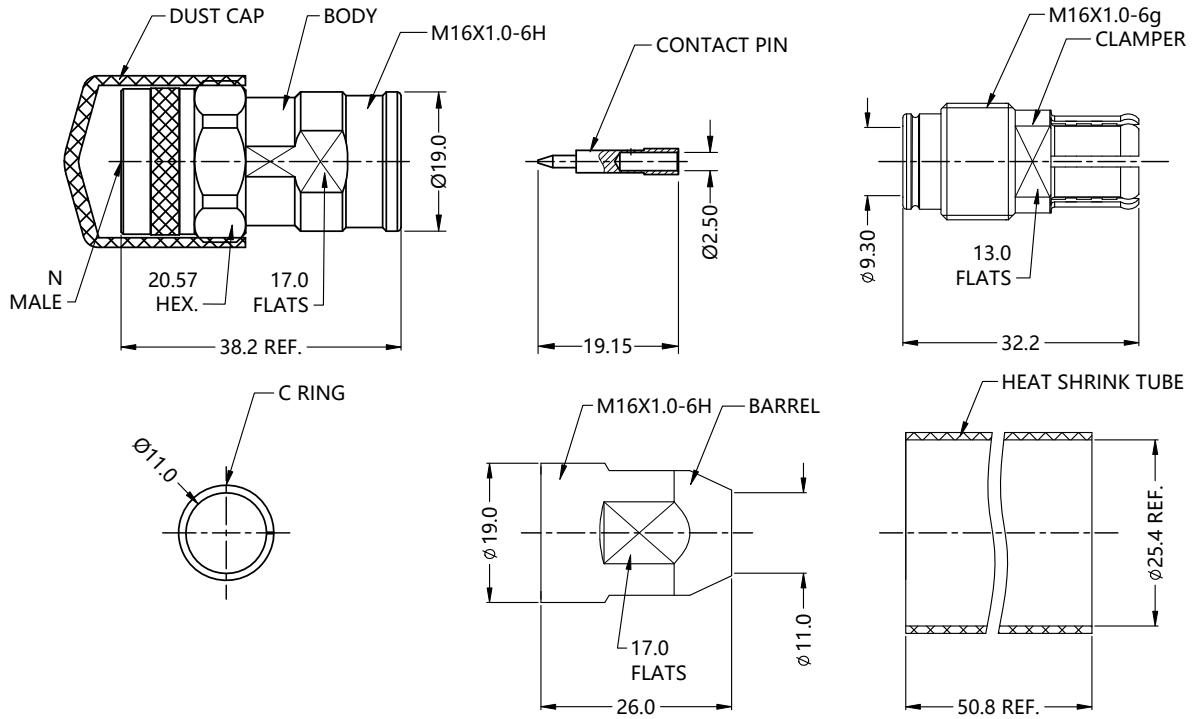
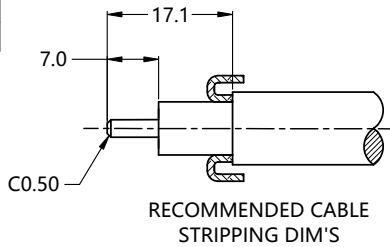


|          |                              |               |             |                    |   |
|----------|------------------------------|---------------|-------------|--------------------|---|
| 1        | 2                            | 3             | 4           | 5                  | 6   |
| REV<br>0 | DESCRIPTION<br>FIRST EDITION | ECN NO<br>N/A | NAME<br>Liu | DATE<br>2021-07-30 |  ALL PARTS MUST MEET TO RoHS REQUIREMENTS |


REMARKS:  
1.ADDS SIZE:13.3mm  
2.CONTACT PIN TO SOLDER



| MATERIALS AND PLATING          |                  |                        | UNIT: MICRO-INCHES              |                | ELECTRICAL CHARACTERISTICS      |  |
|--------------------------------|------------------|------------------------|---------------------------------|----------------|---------------------------------|--|
| BODY/SHELL                     | BRASS C3604      | ALBALOY 100 u" /COPPER | IMPEDANCE                       |                | 50 Ω                            |  |
| CONTACT PIN                    | BRASS C3604      | GOLD 15 u" /COPPER     | VOLTAGE RATING                  |                | 835 V(rms)                      |  |
| INSULATOR                      | PTFE ASTM-D-1710 | N/A                    | FREQUENCY RANGE                 |                | 0~3 GHz                         |  |
| CLAMPER                        | QSn 4-3          | ALBALOY 100 u" /COPPER | DIELECTRIC WITHSTANDING VOLTAGE |                | >2500 V                         |  |
| BARREL                         | BRASS C3604      | ALBALOY 100 u" /COPPER | CONTACT RESISTANCE              | CENTER CONTACT | <1.0 mΩ                         |  |
| C RING                         | STAINLESS STEEL  | PASSIVATION            |                                 | OUTER CONTACT  | <0.2 mΩ                         |  |
| MECHANICAL CHARACTERISTICS     |                  |                        | INSULATION RESISTANCE           |                | >5000 MΩ                        |  |
|                                |                  |                        | INSERTION LOSS                  |                | <0.05√F dB                      |  |
|                                |                  |                        | VSWR                            |                | <1.30                           |  |
|                                |                  |                        | 3RD INTERMODULATION             |                | N/A                             |  |
| FORCE TO ENGAGE AND DISENGAGE  |                  |                        | N/A                             |                | ENVIRONMENTAL CHARACTERISTICS   |  |
| CENTER CONTACT RETENTION FORCE |                  |                        | N/A                             |                | TEMPERATURE RANGE               |  |
| RECOMMENDED COUPLING TORQUE    |                  |                        | 9~14 in-lbs                     |                | -40 °C~+125 °C                  |  |
| COUPLING NUT RETENTION FORCE   |                  |                        | >100 lbs                        |                | THERMAL SHOCK                   |  |
| DURABILITY                     |                  |                        | >500 cycles                     |                | MIL- STD 202, Meth. 107,Cond. B |  |
|                                |                  |                        |                                 |                | VIBRATION                       |  |
|                                |                  |                        |                                 |                | MIL- STD 202, Meth. 204,Cond. B |  |
|                                |                  |                        |                                 |                | SHOCK                           |  |
|                                |                  |                        |                                 |                | MIL- STD 202, Meth. 213,Cond. I |  |

\* CUSTOMER OUTLINE DRAWING

UNLESS OTHERWISE SPECIFIED:  
1) C0.15 MAX;  
2) REMOVE ALL BURRS;  
3) SURFACE ROUGHNESS : Ra1.6;  
4) UNITS:mm;  
5) DIMENSIONS TOLERANCES  
DECIMALS .x ±0.3 .xx ±0.2 .xxx±0.1  
ANGLES ±5°

|                                  |                  |  |
|----------------------------------|------------------|--|
| THIRD ANGLE PROJECTION           |                  | <br><b>SLK</b><br>SUPERLINK |
| APPROVED:                        | CUSTOMER P/N:    |  |
| CHECKED:                         | SCALE:           |  |
| DRAWING:                         | DATE: 2021-07-30 |  |
| COMPANY WEBSITE: www.slkcorp.com |                  | TITLE: TYPE N MALE S/T CLAMP FOR RG-393 CABLE,50Ω<br>DRAWING NO: 5NCM14S-A253-001                                |

CUSTOMER OUTLINE DRAWING