
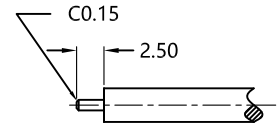
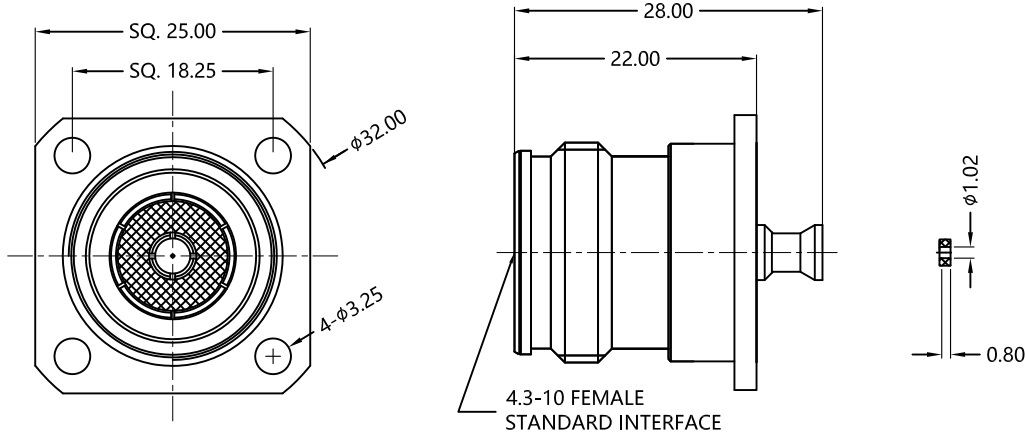


| | | | | | |
|------|----------------|---------|------|------------|---|
| REV. | DESCRIPTION | ECN NO. | NAME | DATE |  ALL PARTS MUST MEET TO RoHS REQUIREMENTS |
| 1 | UPDATE DRAWING | N/A | YJY | 2019-11-26 | |
| 2 | NEW FRAME | N/A | JING | 2020-08-19 | |

REMARK:
 1. ADDS SIZE:19.6mm
 2. CONTACT PIN TO CAPTIVE



RECOMMENDED CABLE STRIPPING DIM'S



| MATERIALS AND PLATING | | UNIT: MICRO-INCHES |
|-----------------------|------------------|----------------------|
| PART NAME | MATERIALS | PLATING |
| BODY | BRASS C3604 | ALBALOY 100u"/COPPER |
| INSULATOR | PTFE ASTM-D-1710 | N/A |
| CONTACT PIN | Be-Cu | SIVER 200u"/COPPER |
| OUT CONDUCT | PHOSPHOR BRONZE | ALBALOY 100u"/COPPER |

| ELECTRICAL CHARACTERISTICS | | |
|---------------------------------|------------------------------------|----------|
| IMPEDANCE | 50 Ω | |
| VOLTAGE RATING | 500 V(rms) | |
| FREQUENCY RANGE | 0 ~ 4 GHz | |
| DIELECTRIC WITHSTANDING VOLTAGE | >1500 V | |
| CONTACT RESISTANCE | CENTER CONTACT | <1.0 mΩ |
| | OUTER CONTACT | <0.25 mΩ |
| INSULATION RESISTANCE | >5000 MΩ | |
| INSERTION LOSS | 0.05x√F GHz dB | |
| RF-LEAKAGE | N/A | |
| VSWR | <1.08 @ DC-3GHz <1.12 @ DC-4GHz | |

| MECHANICAL CHARACTERISTICS | |
|--------------------------------|-------------|
| FORCE TO ENGAGE AND DISENGAGE | N/A |
| CENTER CONTACT RETENTION FORCE | >32 N |
| RECOMMENDED COUPLING TORQUE | N/A |
| COUPLING NUT RETENTION FORCE | N/A |
| DURABILITY | >500 cycles |

| ENVIRONMENTAL PARAMETER | |
|-------------------------|----------------|
| TEMPERATURE RANGE | -55 °C~+125 °C |

*** CUSTOMER OUTLINE DRAWING**

UNLESS OTHERWISE SPECIFIED:
 1) EDGES : C0.15 MAX ;
 2) REMOVE ALL BURRS ;
 3) SURFACE ROUGHNESS : Ra1.6 ;
 4) UNITS : mm ;
 5) DIMENSIONS TOLERANCES
 DECIMALS : .x ±0.3 .xx ±0.2 .xxx±0.1;
 ANGLES : ± 5°.

THIRD ANGLE PROJECTION



APPROVED :

CUSTOMER P/N :

CHECKED :

SCALE :

3 : 2

DRAWING :

JING

DATE : 2020-08-19

PAGE : 1/1



TITLE : 4.3-10 FEMALE S/T FOR .86" CABLE, 50Ω

DRAWING NO. :

5SDF15S-S01

COMPANY WEBSITE : www.slkcorp.com

CUSTOMER OUTLINE DRAWING