
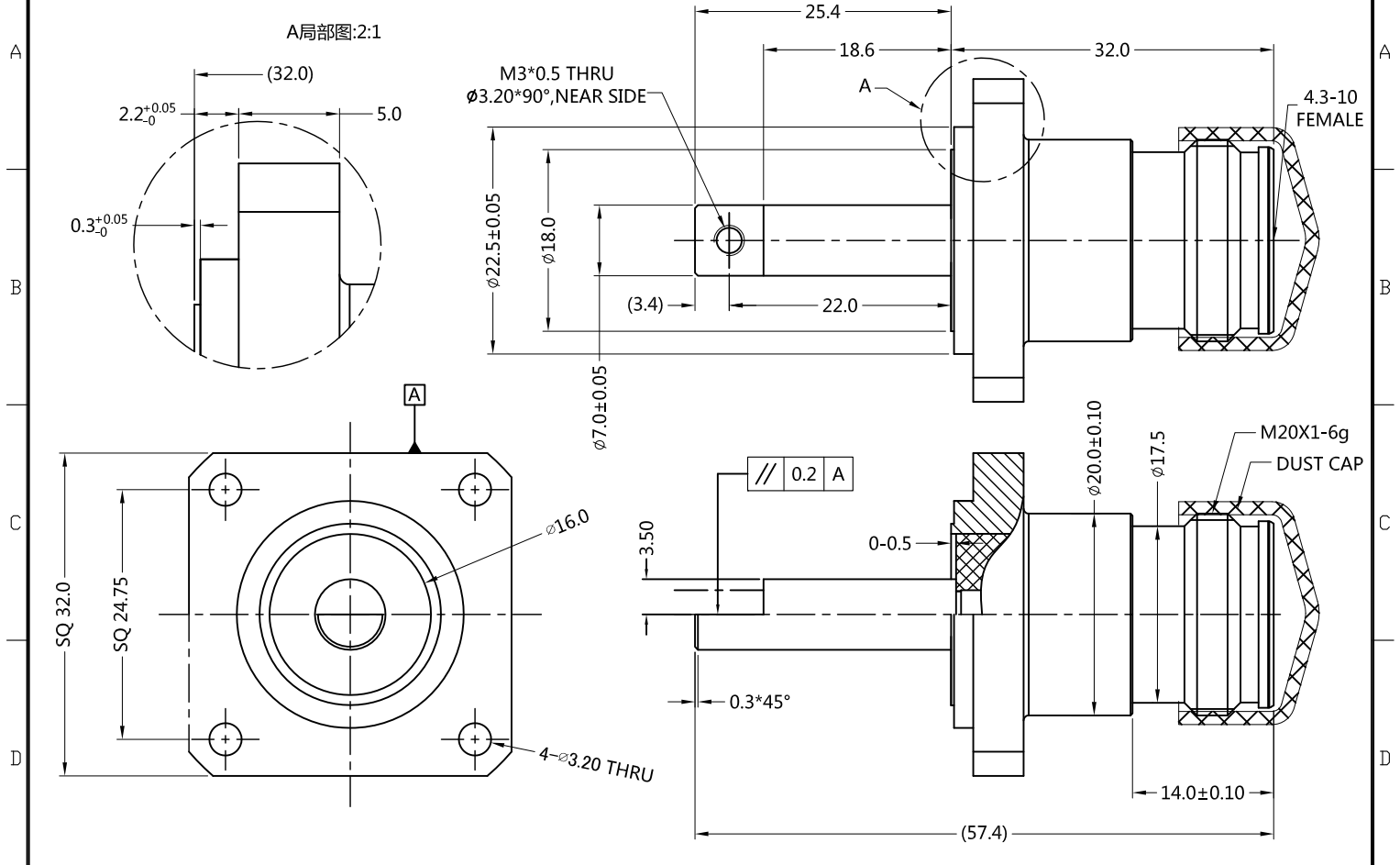


REV	DESCRIPTION	ECN NO	NAME	DATE	 ALL PARTS MUST MEET TO RoHS REQUIREMENTS
0	FIRST EDITION	N/A	JOY	2015-01-09	
1	NEW FRAME	N/A	LW	2020-07-14	




MATERIALS AND PLATING		UNIT: MICRO-INCHES	ELECTRICAL CHARACTERISTICS	
BODY	NON-MAGNETIC BRASS	ALBALOY 80 u"/COPPER	IMPEDANCE	50 Ω
CONTACT PIN	Be-Cu C17300	SILVER 200 u"/COPPER	VOLTAGE RATING	250 V(rms)
INSULATOR	PTFE ASTM-D-1710	N/A	FREQUENCY RANGE	0~6 GHz
OUTER CONTACTS	PHOSPHOR BRONZE	SILVER 120 u"/COPPER	DIELECTRIC WITHSTANDING VOLTAGE	>750 V

CONTACT RESISTANCE	CENTER CONTACT	<1.0 mΩ
	OUTER CONTACT	<1.0 mΩ
INSULATION RESISTANCE	>5000 MΩ	
INSERTION LOSS	<0.05√F dB	
VSWR	<1.035 @ 0.8 TO 3 GHz	
RETURN LOSS	>36 dB @ DC to 4 GHz >32 dB @ 4 GHz to 6 GHz	
POWER HANDLING	500 W @ 2 GHz @90°C	
3RD INTERMODULATION	166 dBc MIN.@2x43 dBm 160 dBc MIN.@2x46 dBm	

MECHANICAL CHARACTERISTICS	
FORCE TO ENGAGE AND DISENGAGE	N/A
CENTER CONTACT RETENTION FORCE	>20 N
RECOMMENDED COUPLING TORQUE	N/A
COUPLING NUT RETENTION FORCE	N/A
DURABILITY	>500 cycles

ENVIRONMENTAL CHARACTERISTICS	
TEMPERATURE RANGE	-40 °C~+165 °C

**\* CUSTOMER OUTLINE DRAWING**

UNLESS OTHERWISE SPECIFIED: 1) C0.15 MAX; 2) REMOVE ALL BURRS; 3) SURFACE ROUGHNESS : Ra1.6; 4) UNITS:mm; 5) DIMENSIONS TOLERANCES DECIMALS .x ±0.3 .xx ±0.2 .xxx ±0.1 ANGLES ±5°	THIRD ANGLE PROJECTION		 TITLE: 4.3-10 FEMALE S/T FOR 4-HOLE FLANGE ,50Ω DRAWING NO: 5SDF85S-P01 COMPANY WEBSITE: www.slkcorp.com
	APPROVED:	CUSTOMER P/N:	
	CHECKED:	SCALE:	
	DRAWING:	DATE: 2020-07-14	

CUSTOMER OUTLINE DRAWING