
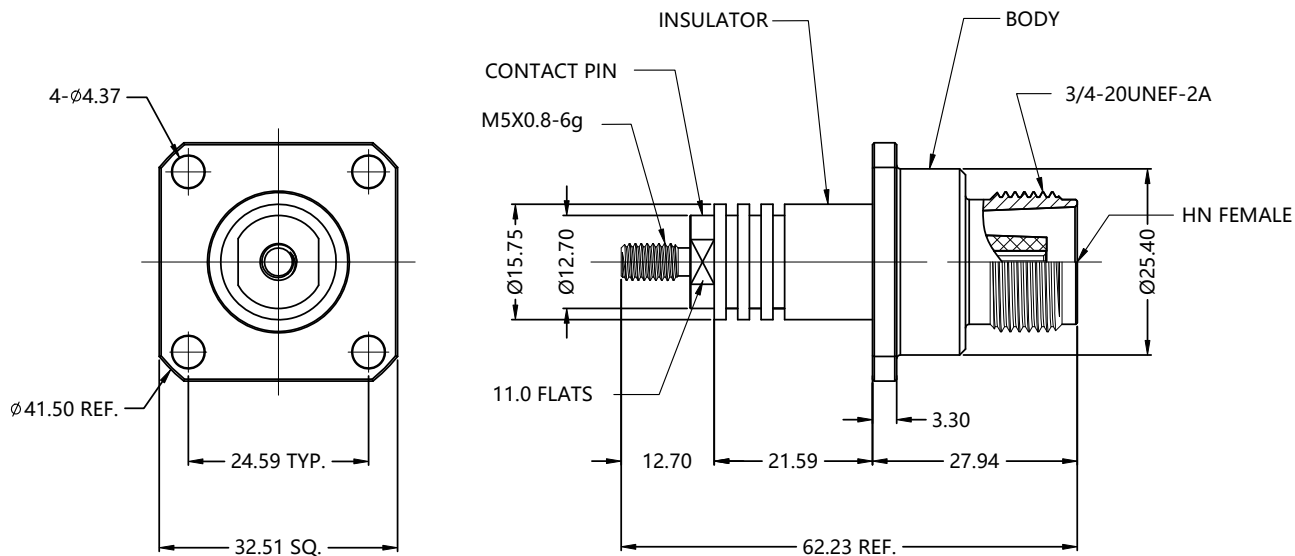


REV.	DESCRIPTION	ECN NO.	NAME	DATE	 ALL PARTS MUST MEET TO RoHS REQUIREMENTS
0	NEW FRAME	N/A	YWD	2021-07-29	



MATERIALS AND PLATING		UNIT: MICRO-INCHES
PART NAME	MATERIALS	PLATING
BODY,SHELL	BRASS C3604	ALBALOY 100 u"/COPPER
CONTACT PIN	BRASS+BERYLLIUM COPPER	SILVER 200 u"/COPPER
INSULATOR	PTFE ASTM-D-1710	N/A

ELECTRICAL CHARACTERISTICS	
IMPEDANCE	50 Ω
VOLTAGE RATING	2000 V
FREQUENCY RANGE	DC ~ 2.5 GHz
DIELECTRIC WITHSTANDING VOLTAGE	> 5000 V
CONTACT RESISTANCE	CENTER CONTACT
	OUTER CONTACT
INSULATION RESISTANCE	> 5000 MΩ
INSERTION LOSS	N/A
VSWR	N/A
3RD INTERMODULATION	N/A

MECHANICAL CHARACTERISTICS	
FORCE TO ENGAGE AND DISENGAGE	N/A
CENTER CONTACT RETENTION FORCE	> 15 in-lbs
RECOMMENDED COUPLING TORQUE	N/A
COUPLING NUT RETENTION FORCE	N/A
DURABILITY	> 500 cycles

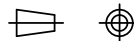
ENVIRONMENTAL PARAMETER	
TEMPERATURE RANGE	-55 °C ~ +165 °C
THERMAL SHOCK	US MIL- STD 202, Meth. 107, Cond. B
VIBRATION	US MIL- STD 202, Meth. 204, Cond. B
SHOCK	US MIL- STD 202, Meth. 213, Cond. I
CLIMATIC CLASS	IEC 60068 55/165/21

**\* CUSTOMER OUTLINE DRAWING**

UNLESS OTHERWISE SPECIFIED:

- 1) EDGES : C0.15 MAX ;
- 2) REMOVE ALL BURRS ;
- 3) SURFACE ROUGHNESS : Ra1.6 ;
- 4) UNITS : mm ;
- 5) DIMENSIONS TOLERANCES  
 DECIMALS : .x ±0.3 .xx ±0.2 .xxx ±0.1;  
 ANGLES : ± 5°.

THIRD ANGLE PROJECTION



APPROVED :

CUSTOMER P/N :

CHECKED :

SCALE :

1 : 1

DRAWING :

DATE : 2021-07-29

PAGE : 1/1



TITLE : HN Female to Male Terminal  
M5x0.8 with 4 Holes Flange

DRAWING NO. :

5EZ006S-HNF-002

COMPANY WEBSITE : www.slkcorp.com

CUSTOMER OUTLINE DRAWING