
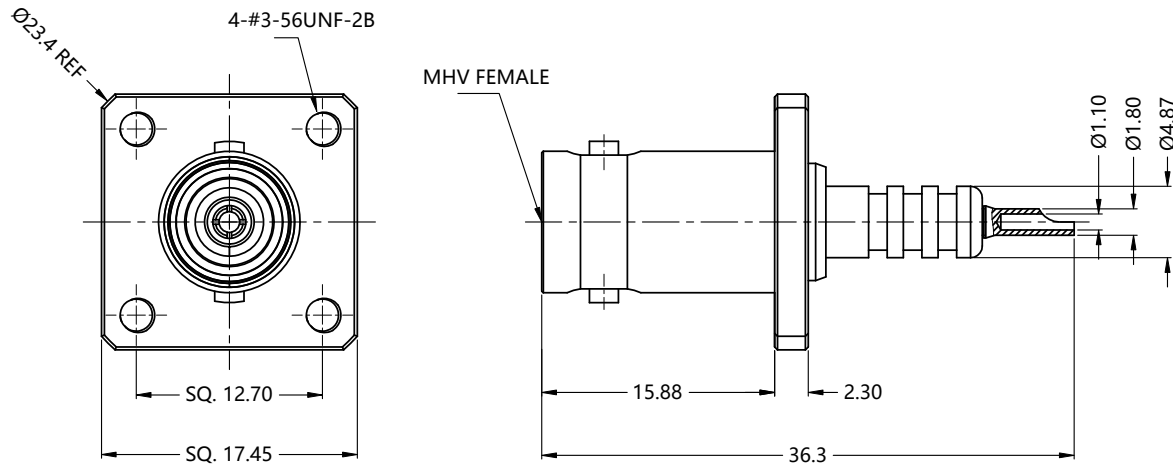


REV.	DESCRIPTION	ECN NO.	NAME	DATE	 ALL PARTS MUST MEET TO RoHS REQUIREMENTS
0	FIRST EDITION	N/A	Liu	2022-09-07	



MATERIALS AND PLATING		UNIT: MICRO-INCHES
PART NAME	MATERIALS	PLATING
BODY	BRASS	ALBALOY 100 u" /COPPER
INSULATOR	PTFE ASTM-D-1710	N/A
CONTACT PIN	BERYLLIUM COPPER	SILVER 120 u" /COPPER

ELECTRICAL CHARACTERISTICS	
IMPEDANCE	50 Ω
VOLTAGE RATING	1600 V(rms)
FREQUENCY RANGE	DC ~ 300 MHz
DIELECTRIC WITHSTANDING VOLTAGE	> 5000 V
CONTACT RESISTANCE	CENTER CONTACT
	OUTER CONTACT
INSULATION RESISTANCE	> 5 GΩ
INSERTION LOSS	N/A
RF-LEAKAGE	N/A
VSWR	N/A
3RD INTERMODULATION	N/A

MECHANICAL CHARACTERISTICS	
FORCE TO ENGAGE AND DISENGAGE	N/A
CENTER CONTACT RETENTION FORCE	> 6.1 lbs
RECOMMENDED COUPLING TORQUE	N/A
COUPLING NUT RETENTION FORCE	N/A
DURABILITY	> 500 cycles

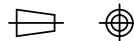
ENVIRONMENTAL PARAMETER	
TEMPERATURE RANGE	-65 °C ~ +165 °C

*** CUSTOMER OUTLINE DRAWING**

UNLESS OTHERWISE SPECIFIED:

- 1) EDGES : C0.15 MAX ;
- 2) REMOVE ALL BURRS ;
- 3) SURFACE ROUGHNESS : Ra1.6 ;
- 4) UNITS : mm ;
- 5) DIMENSIONS TOLERANCES
 DECIMALS : .x ±0.3 .xx ±0.2 .xxx ±0.1;
 ANGLES : ± 5°.

THIRD ANGLE PROJECTION



APPROVED :

CUSTOMER P/N :

CHECKED :

SCALE :

2: 1

DRAWING :

DATE : 2022-09-07

PAGE : 1/1



TITLE : MHV FEMALE CONNECTOR SOLDER ATTACHMENT 4 HOLE FLANGE MOUNT SOLDER CUP TERMINAL

DRAWING NO. :

5MVF85S-H41

COMPANY WEBSITE : www.slkcorp.com

CUSTOMER OUTLINE DRAWING