
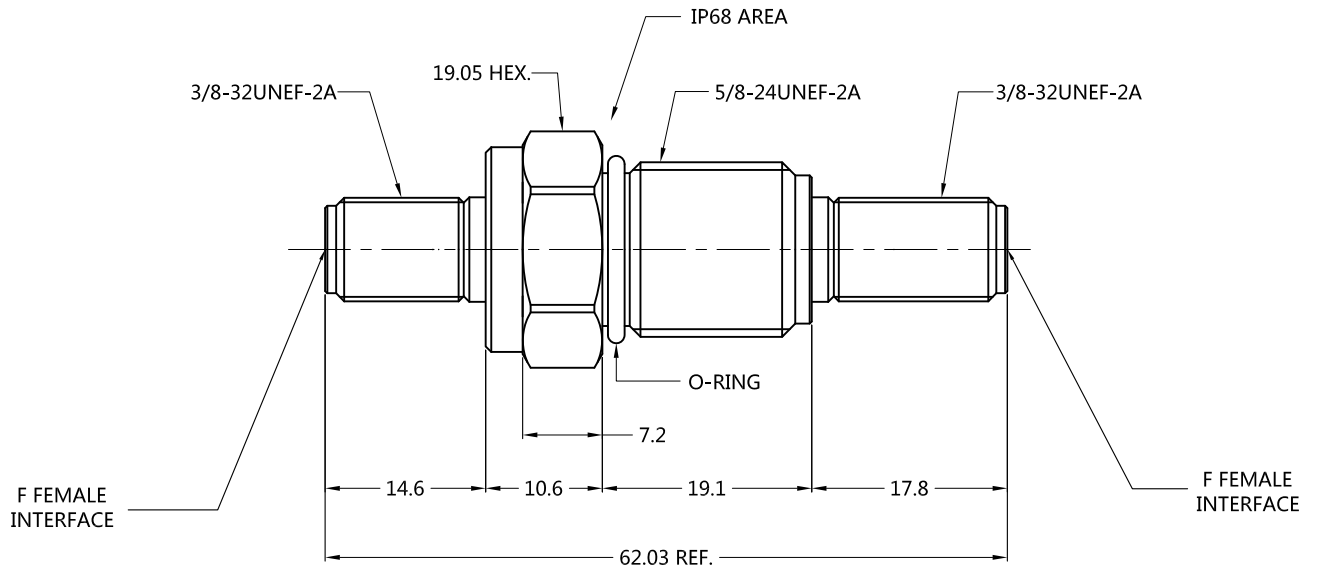


REV.	DESCRIPTION	ECN NO.	NAME	DATE	 ALL PARTS MUST MEET TO RoHS REQUIREMENTS
A0	FIRST EDITION	N/A	ZHAO	2017-03-15	
A1	CHANGE THE SIZE	N/A	Lihemin	2017-06-15	
A2	UPDATE DRAWING	N/A	JASON	2020-05-07	



MATERIALS AND PLATING		UNIT: MICRO-INCHES
PART NAME	MATERIALS	PLATING
BODY	BRASS C3604	ALBALOY PL./COPPER
CONTACT PIN 1	BRASS C3602	TIN PL./COPPER
CONTACT PIN 2	Be-Cu C17300	GOLD PL./COPPER
INSULATOR	TEFLON MIL-P-19468	N/A
O-RING	VITON	N/A

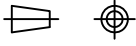
ELECTRICAL CHARACTERISTICS	
IMPEDANCE	75 Ω
VOLTAGE RATING	90 VAC
CURRENT RATING	6 A
FREQUENCY RANGE	5 ~ 1218 MHz
DIELECTRIC WITHSTANDING VOLTAGE	>500 V
CONTACT RESISTANCE	CENTER CONTACT
	OUTER CONTACT
INSULATION RESISTANCE	>5000 MΩ
INSERTION LOSS	< 2.0 dB
RETURN LOSS	<-22 dB
3RD INTERMODULATION	N/A

MECHANICAL CHARACTERISTICS	
FORCE TO ENGAGE AND DISENGAGE	N/A
CENTER CONTACT RETENTION FORCE	N/A
RECOMMENDED COUPLING TORQUE	N/A
COUPLING NUT RETENTION FORCE	N/A
DURABILITY	> 500 cycles

ENVIRONMENTAL PARAMETER	
TEMPERATURE RANGE	-40 °C ~ +85 °C
WATERPROOF RATE	IP68 (DEPTH OF 2 METERS, 2 HOURS)

*** CUSTOMER OUTLINE DRAWING**

UNLESS OTHERWISE SPECIFIED:
 1) EDGES : C0.15 MAX ;
 2) REMOVE ALL BURRS ;
 3) SURFACE ROUGHNESS : Ra1.6 ;
 4) UNITS : mm ;
 5) DIMENSIONS TOLERANCES
 DECIMALS : .x ±0.3 .xx ±0.2 .xxx±0.1 ;
 ANGLES : ± 5°.

THIRD ANGLE PROJECTION		
APPROVED :	CUSTOMER P/N :	
CHECKED :	SCALE :	
DRAWING :	DATE :	
JASON		2020-05-07
PAGE : 1/1		



TITLE : F FEMALE TO F FEMALE ADAPTER
 DRAWING NO. : 7FCF06S-FCF-006
 COMPANY WEBSITE : www.slkcorp.com

CUSTOMER OUTLINE DRAWING