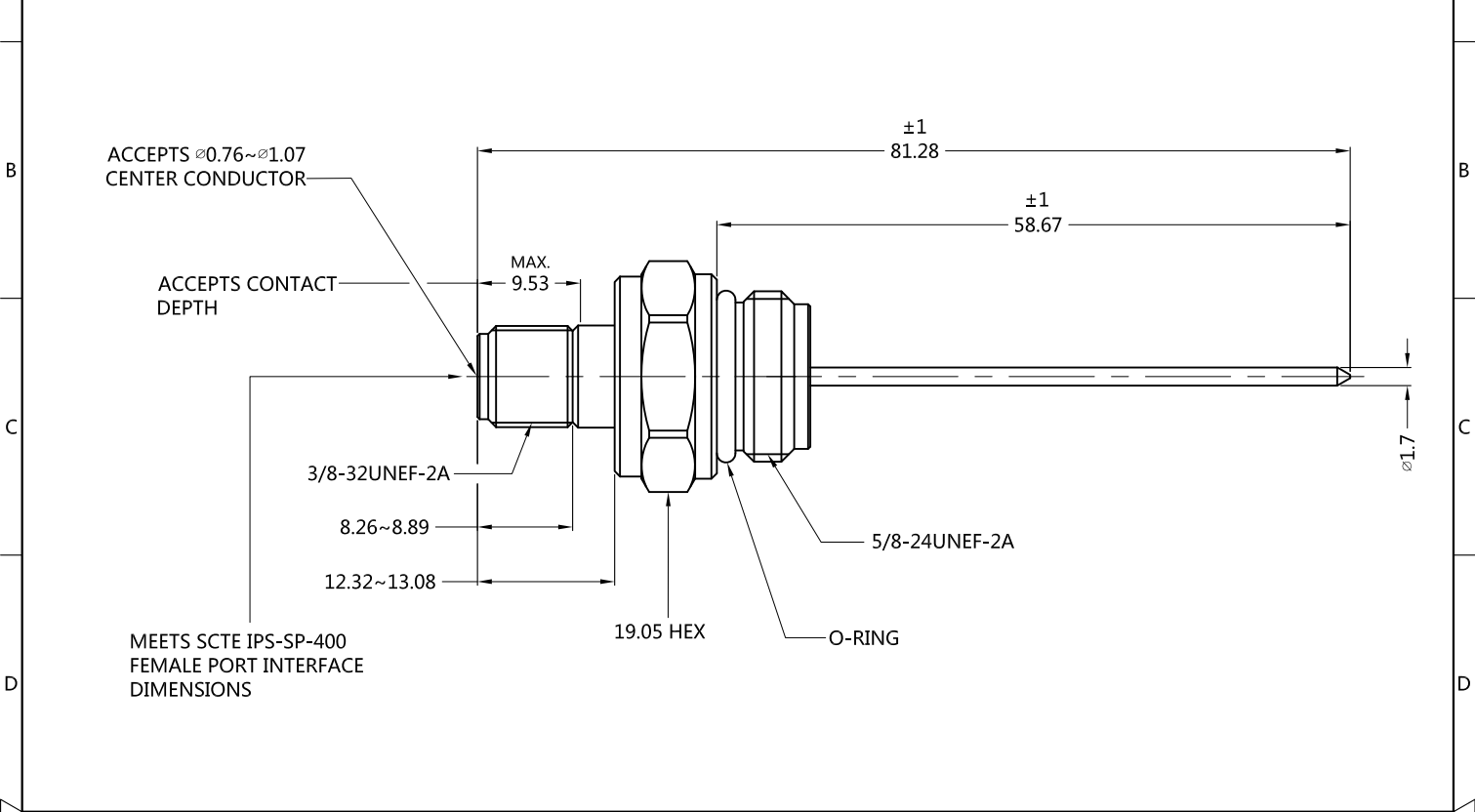


REV.	DESCRIPTION	ECN NO.	NAME	DATE
A0	FIRST EDITION	N/A	ZHAO	2016-11-02
A1	CHANGE STRUCTURE	N/A	ZHAO	2017-02-06
A2	CUSTOMER P/N	N/A	ZHAO	2017-02-10
A3	UPDATE DRAWING	N/A	JASON	2020-05-08



ALL PARTS MUST MEET TO RoHS REQUIREMENTS



MATERIALS AND PLATING		UNIT: MICRO-INCHES
PART NAME	MATERIALS	PLATING
BODY	BRASS C3604	NICKEL 150u"/COPPER
CONTACT PIN 1	BRASS C3602	TIN 100u"/COPPER
CONTACT PIN 2	Be-Cu C17300	TIN 100u"/COPPER
INSULATOR	TEFLON MIL-P-19468	N/A

ELECTRICAL CHARACTERISTICS	
IMPEDANCE	75 $\Omega$
VOLTAGE RATING	500 V(rms)
FREQUENCY RANGE	DC ~ 2.5 GHz
DIELECTRIC WITHSTANDING VOLTAGE	> 750 V
CONTACT RESISTANCE	CENTER CONTACT
	OUTER CONTACT
INSULATION RESISTANCE	> 5000 M $\Omega$
INSERTION LOSS	< 0.28 dB
VSWR	< 1.25
3RD INTERMODULATION	N/A

MECHANICAL CHARACTERISTICS	
FORCE TO ENGAGE AND DISENGAGE	N/A
CENTER CONTACT RETENTION FORCE	N/A
RECOMMENDED COUPLING TORQUE	N/A
COUPLING NUT RETENTION FORCE	N/A
DURABILITY	> 500 cycles

ENVIRONMENTAL PARAMETER	
TEMPERATURE RANGE	-55 $^{\circ}$ C ~ +165 $^{\circ}$ C
WATERPROOF RATE	IP68 (DEPTH OF 2 METERS, 2 HOURS)

CUSTOMER OUTLINE DRAWING

\* CUSTOMER OUTLINE DRAWING

UNLESS OTHERWISE SPECIFIED:  
 1) EDGES : C0.15 MAX ;  
 2) REMOVE ALL BURRS ;  
 3) SURFACE ROUGHNESS : Ra1.6 ;  
 4) UNITS : mm ;  
 5) DIMENSIONS TOLERANCES  
 DECIMALS : .x  $\pm 0.3$  .xx  $\pm 0.2$  .xxx  $\pm 0.1$  ;  
 ANGLES :  $\pm 5^{\circ}$ .

THIRD ANGLE PROJECTION	
APPROVED :	CUSTOMER P/N :
CHECKED :	SCALE : 1 : 1
DRAWING : JASON	DATE : 2020-05-08
PAGE : 1/1	

TITLE : F FEMALE TO KS MALE ADAPTOR

DRAWING NO. : 7FCF06S-KSM-001

COMPANY WEBSITE : www.slkcorp.com