
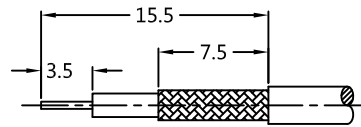
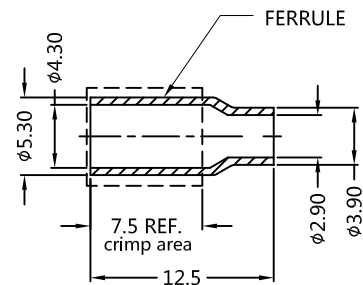
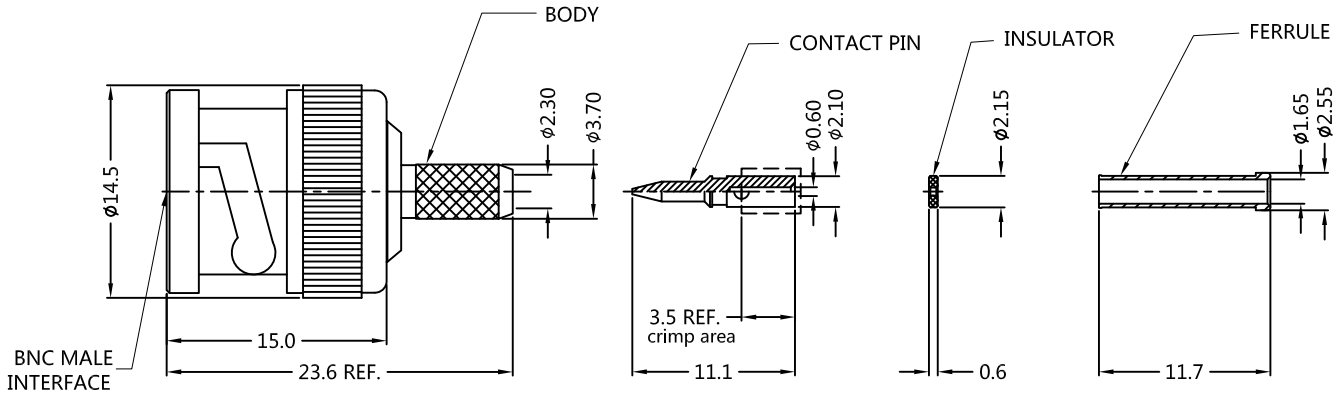


REV.	DESCRIPTION	ECN NO.	NAME	DATE	 ALL PARTS MUST MEET TO RoHS REQUIREMENTS
1	PRESENT PRODUCTS INTERNAL STRUCTURE	N/A	DONG	2014-09-23	
2	NEW FRAME	N/A	JING	2020-07-06	

REMARKS:
 1. CONTACT PIN TO SOLDER OR CRIMP
 (CRIMPER CONTACT PIN HEX. CRIMP SIZE 0.071")
 2. CRIMPED FERRULE HEX. CRIMP SIZE .180"



RECOMMENDED CABLE STRIPPING DIM'S



MATERIALS AND PLATING		UNIT: MICRO-INCHES
PART NAME	MATERIALS	PLATING
BODY+ CONTACT PIN	BRASS C3604	SILVER 40u" /COPPER
INSULATOR	PTFE ASTM-D-1710	N/A
SPRING RING	SWP	ZN 100u"/COPPER
GASKET	SILICONE	N/A
FERRULE	BRASS	SILVER 40u" /COPPER
SHELL	BRASS C3602	SILVER 40u" /COPPER
C RING/RING	SK5	SILVER 40u" /COPPER

ELECTRICAL CHARACTERISTICS	
IMPEDANCE	50 Ω
VOLTAGE RATING	500 V(rms)
FREQUENCY RANGE	0 ~ 4 GHz
DIELECTRIC WITHSTANDING VOLTAGE	>1500 V
CONTACT RESISTANCE	CENTER CONTACT <1.5 mΩ
	OUTER CONTACT <0.2 mΩ
INSULATION RESISTANCE	>5000 MΩ
INSERTION LOSS	<0.2
RF-LEAKAGE	N/A
VSWR	<1.30
3RD INTERMODULATION	N/A

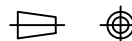
MECHANICAL CHARACTERISTICS	
FORCE TO ENGAGE AND DISENGAGE	N/A
CENTER CONTACT RETENTION FORCE	N/A
RECOMMENDED COUPLING TORQUE	N/A
COUPLING NUT RETENTION FORCE	>100 lbs
DURABILITY	>500 cycles

ENVIRONMENTAL PARAMETER	
TEMPERATURE RANGE	-65 °C~+165 °C
CORROSION	MIL-STD-202, Meth. 101, Cond B
VIBRATION	MIL-STD-202, Meth. 202, Cond D
SHOCK	MIL-STD 202, Meth. 212

* CUSTOMER OUTLINE DRAWING

UNLESS OTHERWISE SPECIFIED:
 1) EDGES : C0.15 MAX ;
 2) REMOVE ALL BURRS ;
 3) SURFACE ROUGHNESS : Ra1.6 ;
 4) UNITS : mm ;
 5) DIMENSIONS TOLERANCES
 DECIMALS : .x ±0.3 .xx ±0.2 .xxx±0.1;
 ANGLES : ± 5°.

THIRD ANGLE PROJECTION



APPROVED :

CUSTOMER P/N :

CHECKED :

SCALE :

2 : 1

DRAWING :

JING

DATE : 2020-07-06

PAGE : 1/1



TITLE : BNC MALE S/T CRIMP FOR RG-316 CABLE 50Ω

DRAWING NO. : 5BNM11S-A02-015

COMPANY WEBSITE : www.slkcorp.com

CUSTOMER OUTLINE DRAWING