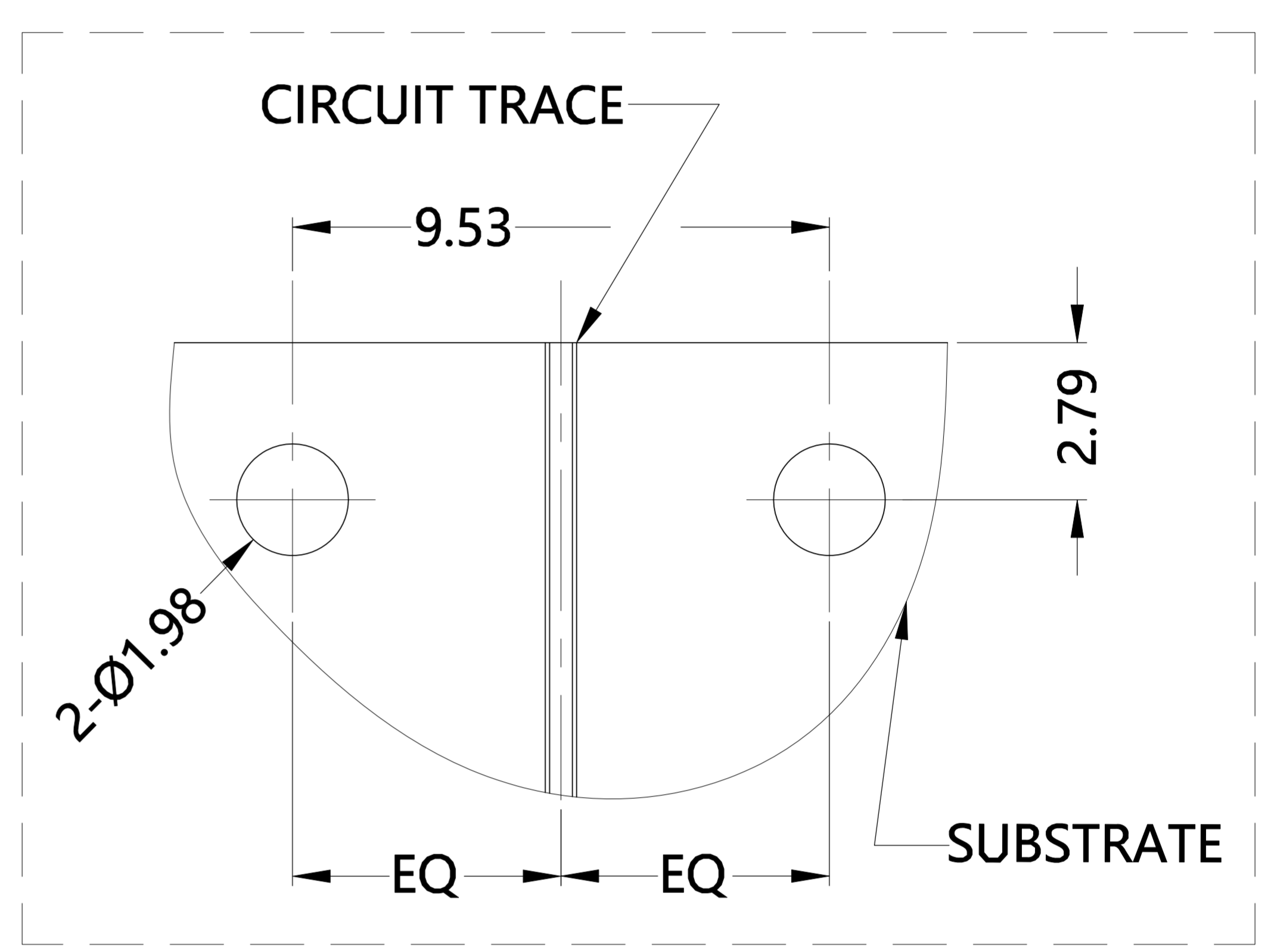
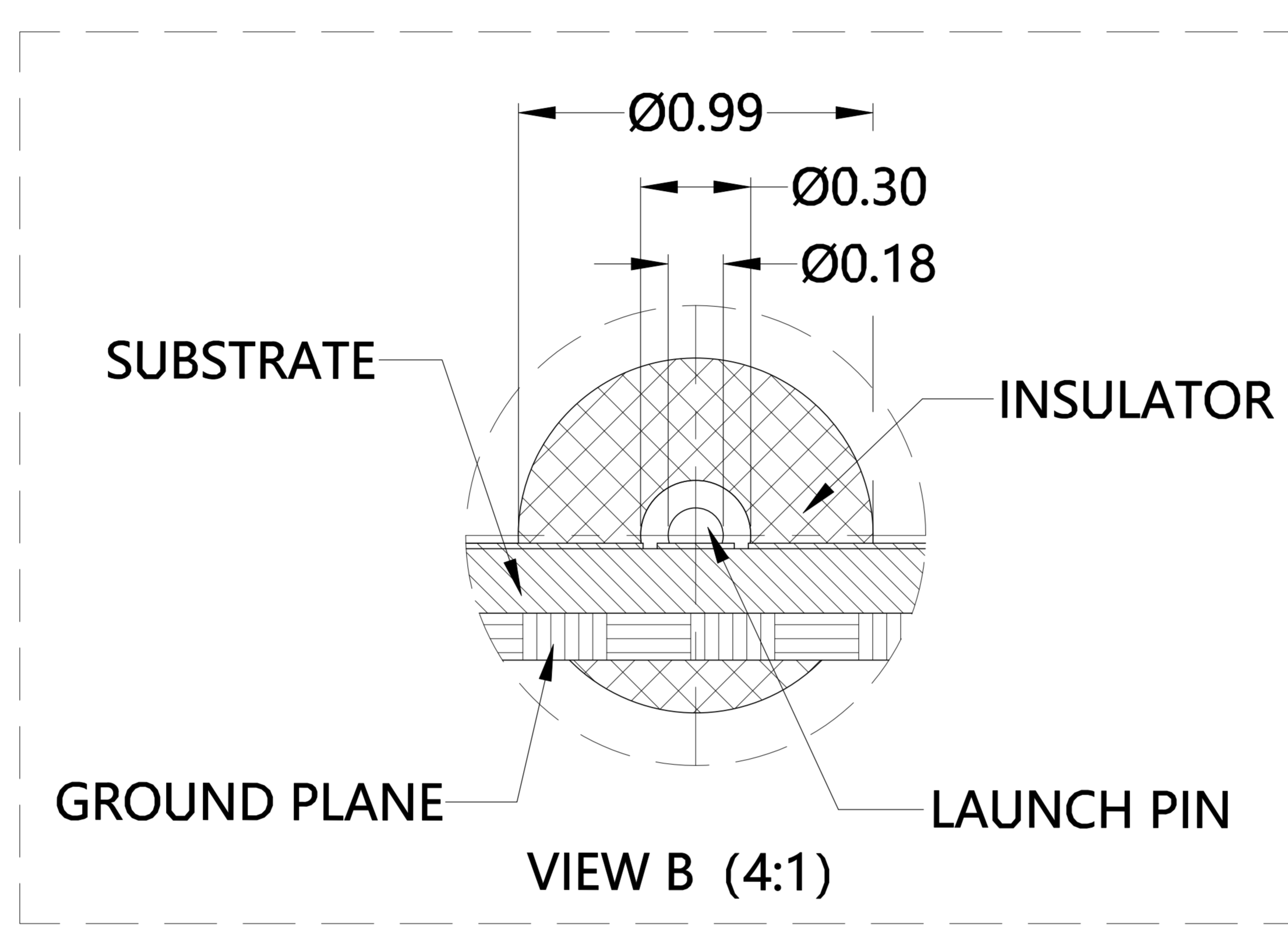
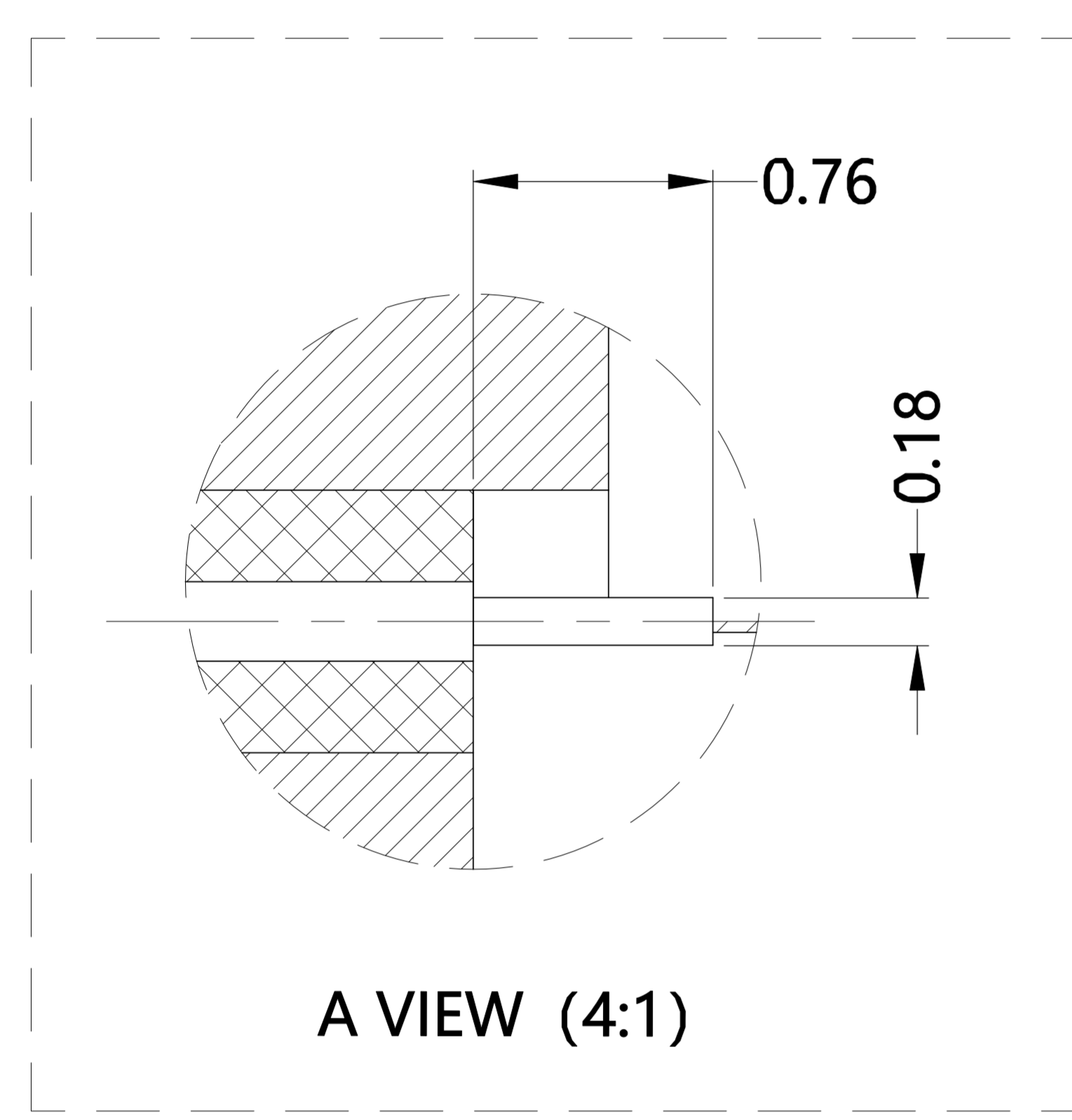
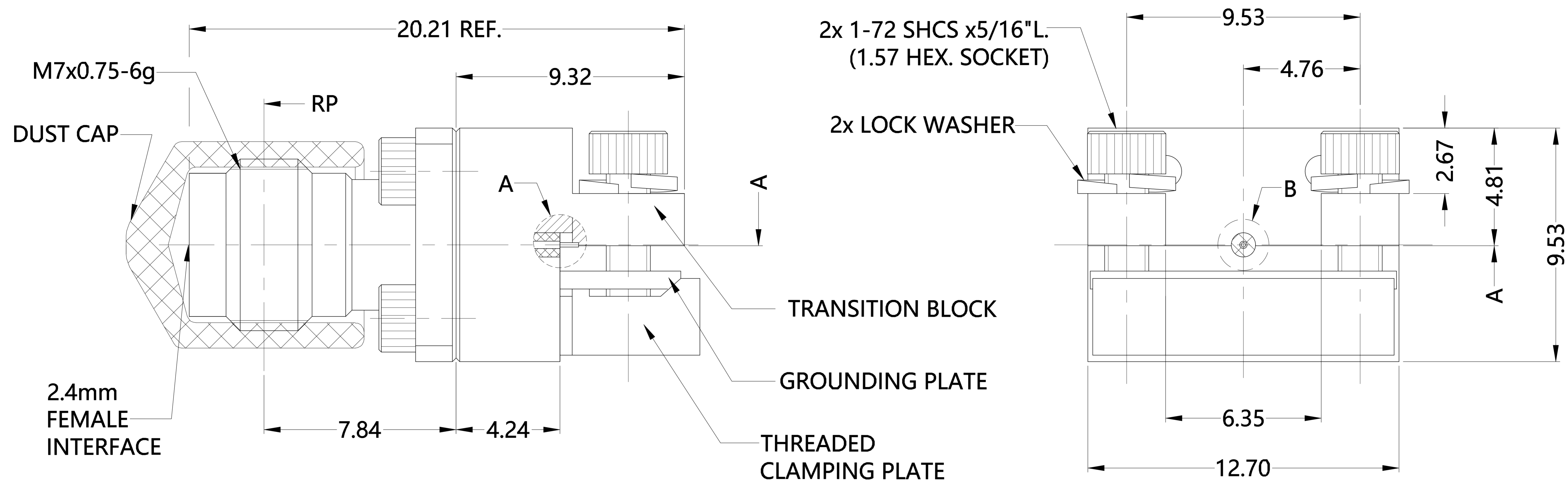


REV.	DESCRIPTION	ECN NO.	NAME	DATE
0	FIRST EDITION	N/A	SYH	2019-11-20
1	NEW FRAME	N/A	JASON	2021-12-30



ALL PARTS MUST MEET TO RoHS REQUIREMENTS



MATERIALS AND PLATING		UNIT: MICRO-INCHES
PART NAME	MATERIALS	PLATING
BODY	STAINLESS STEEL 303Cu	PASSIVATION
CONTACT PIN	Be-Cu C17300	GOLD 50 u"/COPPER
INSULATOR	PEI & PTFE	NATURAL
TRANSITION BLOCK	BRASS C3604	NICKEL 100 u"/COPPER
DUST CAP	PVC	BLACK

ELECTRICAL CHARACTERISTICS	
IMPEDANCE	50 Ω
VOLTAGE RATING	335 V(rms)
FREQUENCY RANGE	DC ~ 50 GHz
DIELECTRIC WITHSTANDING VOLTAGE	>500 V
CONTACT RESISTANCE	CENTER CONTACT <2.2 mΩ
	OUTER CONTACT <1.2 mΩ
INSULATION RESISTANCE	>500 MΩ
INSERTION LOSS	According to the PCB
VSWR	<1.40 SQRT(Test Value)

MECHANICAL CHARACTERISTICS	
FORCE TO ENGAGE AND DISENGAGE	N/A
CENTER CONTACT RETENTION FORCE	> 6 lbs
RECOMMENDED COUPLING TORQUE	N/A
COUPLING NUT RETENTION FORCE	N/A
DURABILITY	> 500 cycles

ENVIRONMENTAL PARAMETER	
TEMPERATURE RANGE	-40 °C ~ +85 °C

**\* CUSTOMER OUTLINE DRAWING**

UNLESS OTHERWISE SPECIFIED:  
 1) EDGES : C0.15 MAX ;  
 2) REMOVE ALL BURRS ;  
 3) SURFACE ROUGHNESS : Ra1.6 ;  
 4) UNITS : mm ;  
 5) DIMENSIONS TOLERANCES  
 DECIMALS : .x ±0.3 .xx ±0.2 .xxx±0.1 ;  
 ANGLES : ± 5°.

THIRD ANGLE PROJECTION	
APPROVED :	CUSTOMER P/N : 1492-03A-6
CHECKED :	SCALE : 1:1
DRAWING : JASON	DATE : 2021-12-30
	PAGE : 1/1

TITLE : 2.4mm FEMALE S/T CONNECTOR WITH END LAUNCH, 50Ω  
 DRAWING NO. : T-5P4F80S-H41  
 COMPANY WEBSITE : www.slkcorp.com

CUSTOMER OUTLINE DRAWING