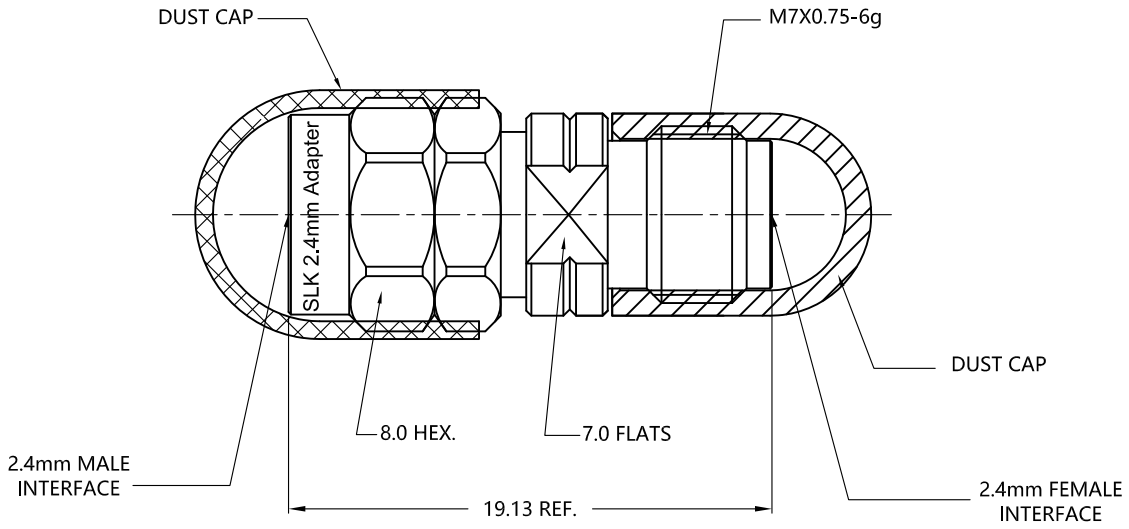


REV.	DESCRIPTION	ECN NO.	NAME	DATE				
1	NEW FRAME	N/A	JING	2020-08-07				



ALL PARTS MUST MEET TO RoHS REQUIREMENTS



MATERIALS AND PLATING		UNIT: MICRO-INCHES
PART NAME	MATERIALS	PLATING
BODY/SHELL	STAINLESS STEEL	PASSIVATION
INSULATOR	PEI	N/A
CONTACT PIN	Be-Cu C17300	GOLD 30u"/COPPER
DUST CAP	PVC	N/A

ELECTRICAL CHARACTERISTICS		
IMPEDANCE	50 Ω	
VOLTAGE RATING	335 V(rms)	
FREQUENCY RANGE	0 ~ 50 GHz	
DIELECTRIC WITHSTANDING VOLTAGE	> 500 V	
CONTACT RESISTANCE	CENTER CONTACT	< 3.0 mΩ
	OUTER CONTACT	< 2.0 mΩ
INSULATION RESISTANCE	> 5000 MΩ	
INSERTION LOSS	< 0.05√F(GHz) dB	
RF-LEAKAGE	N/A	
VSWR	< 1.15@0-26.5 GHz	
	< 1.2@26.5-50 GHz	
3RD INTERMODULATION	N/A	

MECHANICAL CHARACTERISTICS	
FORCE TO ENGAGE AND DISENGAGE	< 1.4N
CENTER CONTACT RETENTION FORCE	> 6 lbs
RECOMMENDED COUPLING TORQUE	7.0-8.9 in-lbs
COUPLING NUT RETENTION FORCE	> 100 lbs
DURABILITY	> 500 cycles

ENVIRONMENTAL PARAMETER	
TEMPERATURE RANGE	-40 °C ~ +125 °C

CUSTOMER OUTLINE DRAWING

*** CUSTOMER OUTLINE DRAWING**

UNLESS OTHERWISE SPECIFIED:
 1) EDGES : C0.15 MAX ;
 2) REMOVE ALL BURRS ;
 3) SURFACE ROUGHNESS : Ra1.6 ;
 4) UNITS : mm ;
 5) DIMENSIONS TOLERANCES
 DECIMALS : .x ±0.3 .xx ±0.2 .xxx ±0.1;
 ANGLES : ± 5°.

THIRD ANGLE PROJECTION		
APPROVED :	CUSTOMER P/N :	
CHECKED :	SCALE :	3 : 1
DRAWING :	DATE :	2020-08-07
JING	PAGE :	1/1

TITLE : 2.4mm FEMALE TO 2.4mm MALE ADAPTER, 50Ω
 DRAWING NO. : 5P4F06S-P4M-001
 COMPANY WEBSITE : www.slkcorp.com