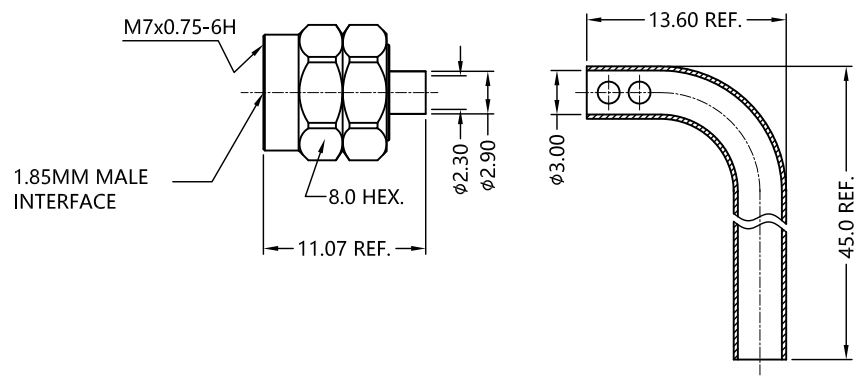
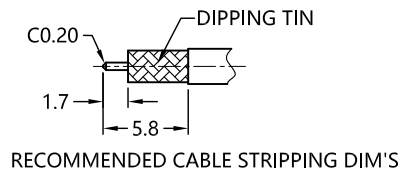


REV.	DESCRIPTION	ECN NO.	NAME	DATE
A2	NEW FRAME	N/A	GUO	2020-07-11



ALL PARTS MUST MEET TO RoHS REQUIREMENTS

REMARKS:
 1. ADDS SIZE: 6.8mm
 2. CONTACT PIN TO CAPTIVE
 3. FERRULE TO SOLDER



MATERIALS AND PLATING		UNIT: MICRO-INCHES
PART NAME	MATERIALS	PLATING
BODY	STAINLESS STEEL	GOLD PL.10 u"/NICKEL
INSULATOR	PEI	N/A
SHELL	STAINLESS STEEL	PASSIVATION
CONTACT PIN	BE-CU-C17300	GOLD PL.50 u"/NICKEL/COPPER
FERRULE	COPPER T2	GOLD PL.3 u"/NICKEL/COPPER

ELECTRICAL CHARACTERISTICS	
IMPEDANCE	50 Ω
VOLTAGE RATING	335 V(rms)
FREQUENCY RANGE	0 ~ 67 GHz
DIELECTRIC WITHSTANDING VOLTAGE	>500 V
CONTACT RESISTANCE	CENTER CONTACT
	OUTER CONTACT
INSULATION RESISTANCE	>5000 MΩ
INSERTION LOSS	ACCORDING TO THE CABLE
VSWR	<1.15 @0-18 GHz <1.25 @18-40 GHz <1.35 @40-67 GHz
3RD INTERMODULATION	N/A

MECHANICAL CHARACTERISTICS	
FORCE TO ENGAGE AND DISENGAGE	N/A
CENTER CONTACT RETENTION FORCE	>6 lbs
RECOMMENDED COUPLING TORQUE	7-8.9 in-lbs
COUPLING NUT RETENTION FORCE	>60 lbs
DURABILITY	>500 cycles

ENVIRONMENTAL PARAMETER	
TEMPERATURE RANGE	-55 °C~+125 °C
CORROSION	MIL- STD 202, Meth. 101,Cond. B
VIBRATION	MIL- STD 202, Meth. 204,Cond. D
SHOCK	MIL- STD 202, Meth. 213,Cond. I

*** CUSTOMER OUTLINE DRAWING**

UNLESS OTHERWISE SPECIFIED:
 1) EDGES : C0.15 MAX ;
 2) REMOVE ALL BURRS ;
 3) SURFACE ROUGHNESS : Ra1.6 ;
 4) UNITS : mm ;
 5) DIMENSIONS TOLERANCES
 DECIMALS : .x ±0.3 .xx ±0.2 .xxx±0.1;
 ANGLES : ± 5°.

THIRD ANGLE PROJECTION	
APPROVED :	CUSTOMER P/N :
CHECKED :	SCALE :
DRAWING :	DATE :
GUO	2020-07-11
PAGE : 1/1	

TITLE : 1.85mm MALE R/A SOLDER FOR SPB-230 CABLE,50Ω
 DRAWING NO. : 5P1M15R-A552
 COMPANY WEBSITE : www.slkcorp.com

CUSTOMER OUTLINE DRAWING