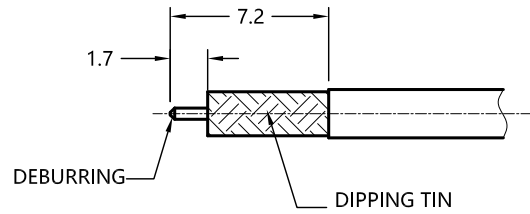


REV.	DESCRIPTION	ECN NO.	NAME	DATE
A2	NEW FRAME	N/A	GUO	2020-07-11

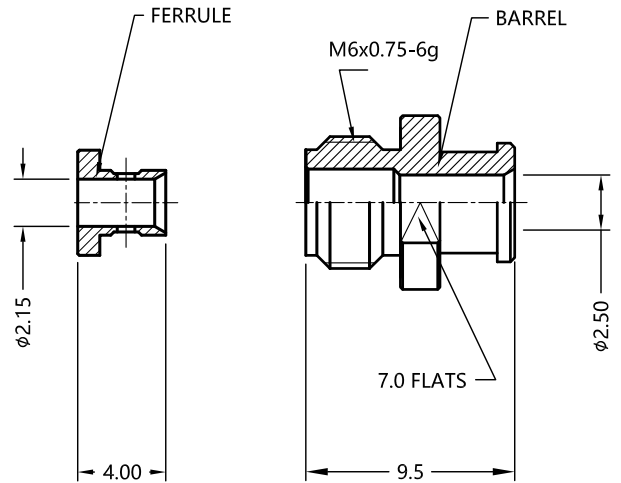
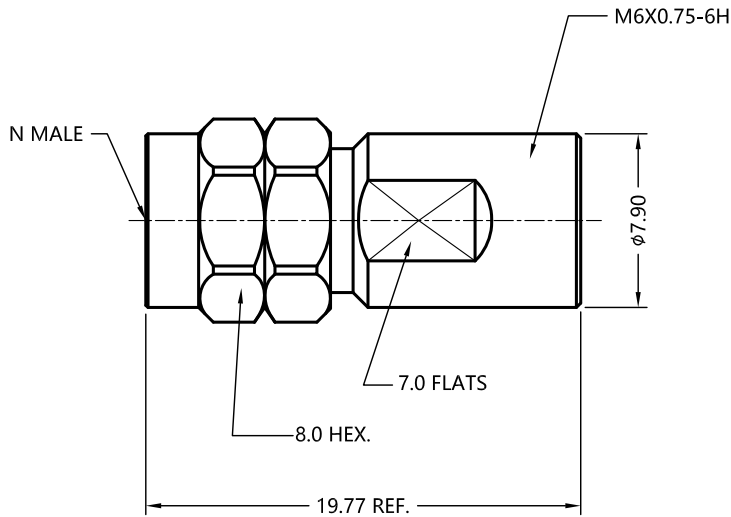


ALL PARTS MUST MEET TO RoHS REQUIREMENTS

REMARKS:  
 1. ADDS SIZE: 13.07mm  
 2. CONTACT PIN TO CAPTIVE  
 3. FERRULE TO SOLDER



RECOMMENDED CABLE STRIPPING DIM'S



MATERIALS AND PLATING		UNIT: MICRO-INCHES
PART NAME	MATERIALS	PLATING
BODY/SHELL	STAINLESS STEEL	PASSIVATION
INSULATOR	ENGINEERING PLASTICS	N/A
CONTACT PIN	BE-CU C17300	GOLD PL.50 u"/COPPER
BARREL	STAINLESS STEEL	PASSIVATION
FERRULE	BRASS C3604	GOLD PL.10 u"/NICKEL/COPPER

ELECTRICAL CHARACTERISTICS	
IMPEDANCE	50 Ω
VOLTAGE RATING	175 V(rms)
FREQUENCY RANGE	0 ~ 67 GHz
DIELECTRIC WITHSTANDING VOLTAGE	>500 V
CONTACT RESISTANCE	CENTER CONTACT
	OUTER CONTACT
INSULATION RESISTANCE	>5000 MΩ
INSERTION LOSS	<0.05x√F(GHz) dB
VSWR	<1.35
3RD INTERMODULATION	N/A

MECHANICAL CHARACTERISTICS	
FORCE TO ENGAGE AND DISENGAGE	N/A
CENTER CONTACT RETENTION FORCE	>6 lbs
RECOMMENDED COUPLING TORQUE	7-8.9 in-lbs
COUPLING NUT RETENTION FORCE	>60 lbs
DURABILITY	>500 cycles

ENVIRONMENTAL PARAMETER	
TEMPERATURE RANGE	-40 °C~+125 °C

\* CUSTOMER OUTLINE DRAWING

UNLESS OTHERWISE SPECIFIED:  
 1) EDGES : C0.15 MAX ;  
 2) REMOVE ALL BURRS ;  
 3) SURFACE ROUGHNESS : Ra1.6 ;  
 4) UNITS : mm ;  
 5) DIMENSIONS TOLERANCES  
 DECIMALS : .x ±0.3 .xx ±0.2 .xxx±0.1;  
 ANGLES : ± 5°.

THIRD ANGLE PROJECTION



APPROVED :

CUSTOMER P/N :

CHECKED :

SCALE :

DRAWING :

GUO

DATE : 2020-07-11

PAGE : 1/1



TITLE : 1.85mm MALE S/T SOLDER FOR SLB-230 CABLE,50Ω

DRAWING NO. : 5P1M15S-A552-001

COMPANY WEBSITE : www.slkcorp.com

CUSTOMER OUTLINE DRAWING