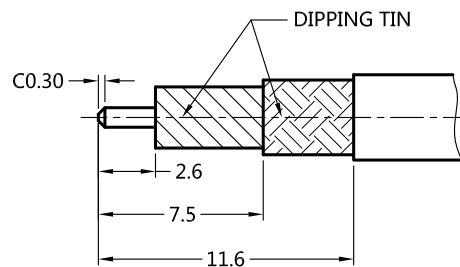


REV	DESCRIPTION	ECN NO	NAME	DATE
0	FIRST EDITION	N/A	WANG	2018-06-11
1	NEW FRAME	N/A	Liu	2020-07-04

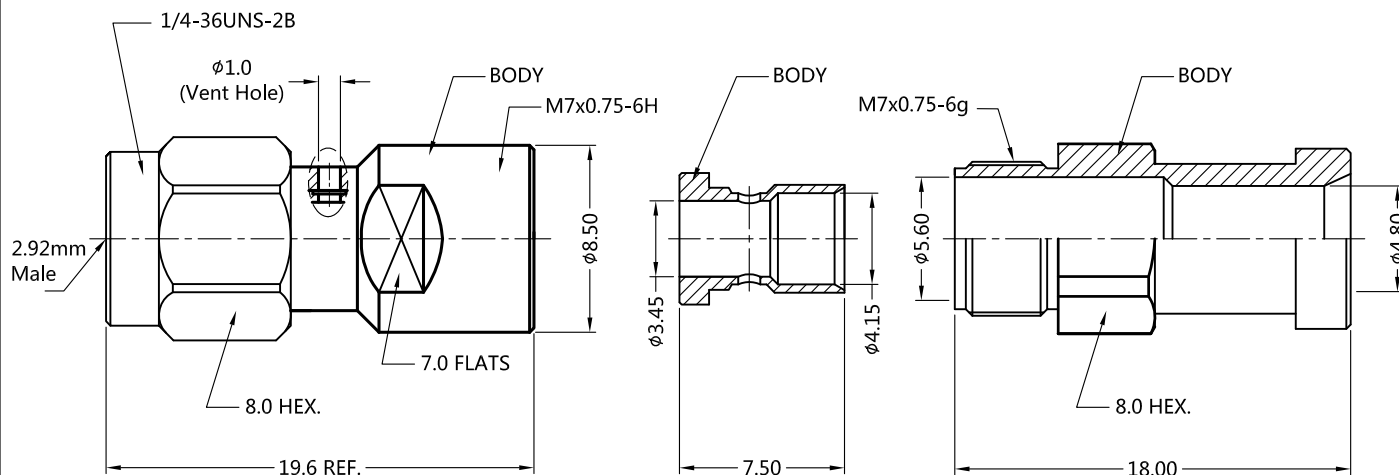


ALL PARTS MUST MEET TO RoHS REQUIREMENTS

REMARKS:
 1. CONTACT PIN TO CAPTIVE
 2. FERRULE TO SOLDER
 3. ADD SIZE : 11.7 mm



RECOMMENDED CABLE STRIPPING DIM'S



MATERIALS AND PLATING		UNIT: MICRO-INCHES	ELECTRICAL CHARACTERISTICS	
BODY/SHELL	STAINLESS STEEL	PASSIVATION	IMPEDANCE	50 Ω
CONTACT PIN	Be-Cu C17300	GOLD 50 u"/COPPER	VOLTAGE RATING	335 V(rms)
INSULATOR	PEI	N/A	FREQUENCY RANGE	DC~35 GHz
BARREL	STAINLESS STEEL	PASSIVATION	DIELECTRIC WITHSTANDING VOLTAGE	>1000 V
FERRULE	BRASS C3604	GOLD 10 u"/NICKEL/COPPER	CONTACT RESISTANCE	CENTER CONTACT <3.0 mΩ OUTER CONTACT <2.0 mΩ
MECHANICAL CHARACTERISTICS FORCE TO ENGAGE AND DISENGAGE: N/A CENTER CONTACT RETENTION FORCE: >6 lbs RECOMMENDED COUPLING TORQUE: 7~10 in-lbs COUPLING NUT RETENTION FORCE: >60 lbs DURABILITY: >500 cycles			INSULATION RESISTANCE	>5000 MΩ
			INSERTION LOSS	<0.05√F dB
			VSWR	<1.30
			3RD INTERMODULATION	N/A
			ENVIRONMENTAL CHARACTERISTICS TEMPERATURE RANGE: -40 °C~+125 °C THERMAL SHOCK: MIL- STD 202, Meth. 107,Cond. B VIBRATION: MIL- STD 202, Meth. 204,Cond. D SHOCK: MIL- STD 202, Meth. 213,Cond. I	

* CUSTOMER OUTLINE DRAWING

UNLESS OTHERWISE SPECIFIED:
 1) C0.15 MAX;
 2) REMOVE ALL BURRS;
 3) SURFACE ROUGHNESS : Ra1.6;
 4) UNITS:mm;
 5) DIMENSIONS TOLERANCES
 DECIMALS .x ±0.3 .xx ±0.2 .xxx±0.1
 ANGLES ±5°

THIRD ANGLE PROJECTION



APPROVED:

CUSTOMER P/N:

CHECKED:

SCALE:

1:1

DRAWING:

DATE: 2020-07-04

COMPANY WEBSITE: www.slkcorp.com



TITLE: 2.92mm MALE S/T CLAMP WITH VENT HOLE FOR SFT-142 CABLE,50Ω

DRAWING NO:

5P9M15S-A87-003

CUSTOMER OUTLINE DRAWING