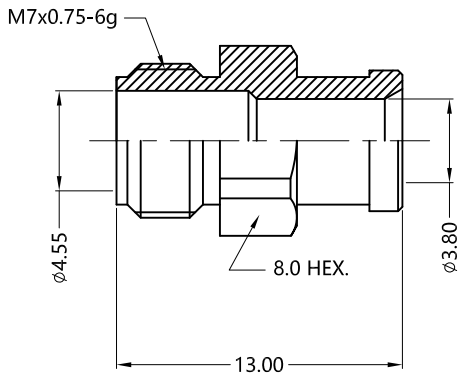
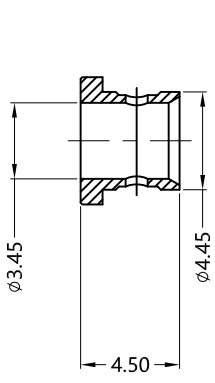
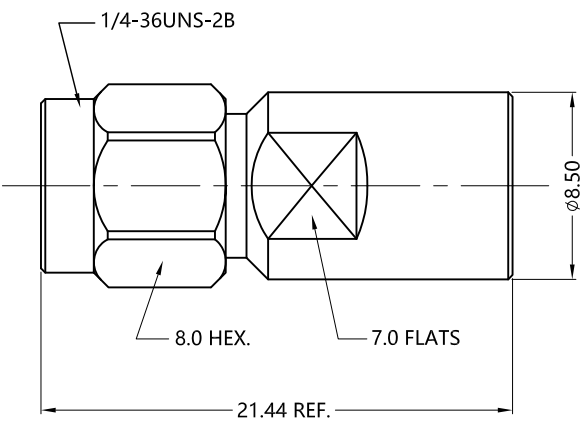
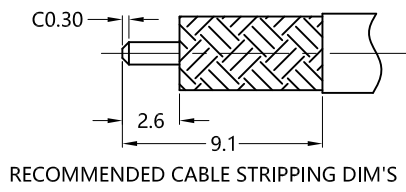


REV.	DESCRIPTION	ECN NO.	NAME	DATE
1	NEW FRAME	N/A	JING	2020-08-13



ALL PARTS MUST MEET TO RoHS REQUIREMENTS

REMARKS:
 1.ADDS SIZE: 13.64 mm
 2.CONTACT PIN TO CAPTIVE
 3.FERRULE TO SOLDER



MATERIALS AND PLATING		UNIT: MICRO-INCHES
PART NAME	MATERIALS	PLATING
BODY/SHELL	STAINLESS STEEL	PASSIVATION
INSULATOR	PEI	N/A
CONTACT PIN	BRASS C3604	GOLD 50u"/COPPER
FERRULE	BRASS	GOLD 10u"/NICKEL/COPPER
BARREL	STAINLESS STEEL	PASSIVATION

ELECTRICAL CHARACTERISTICS	
IMPEDANCE	50 Ω
VOLTAGE RATING	335 V(rms)
FREQUENCY RANGE	0 ~ 40 GHz
DIELECTRIC WITHSTANDING VOLTAGE	>500 V
CONTACT RESISTANCE	CENTER CONTACT <3.0 m Ω
	OUTER CONTACT <2.0 m Ω
INSULATION RESISTANCE	>5000 M Ω
INSERTION LOSS	According to the cable
RF-LEAKAGE	N/A
VSWR	<1.10 @0~6 GHz <1.20 @6~40 GHz
3RD INTERMODULATION	N/A

MECHANICAL CHARACTERISTICS	
FORCE TO ENGAGE AND DISENGAGE	< 4.5 N
CENTER CONTACT RETENTION FORCE	>6 lbs
RECOMMENDED COUPLING TORQUE	7-10 in-lbs
COUPLING NUT RETENTION FORCE	>60 lbs
DURABILITY	>500 cycles

ENVIRONMENTAL PARAMETER	
TEMPERATURE RANGE	-40 °C ~ +125 °C

* CUSTOMER OUTLINE DRAWING

UNLESS OTHERWISE SPECIFIED:
 1) EDGES : C0.15 MAX ;
 2) REMOVE ALL BURRS ;
 3) SURFACE ROUGHNESS : Ra1.6 ;
 4) UNITS : mm ;
 5) DIMENSIONS TOLERANCES
 DECIMALS : .x ± 0.3 .xx ± 0.2 .xxx ± 0.1 ;
 ANGLES : $\pm 5^\circ$.

THIRD ANGLE PROJECTION		
APPROVED :	CUSTOMER P/N :	
CHECKED :	SCALE :	3 : 1
DRAWING :	DATE :	2020-08-13
JING	PAGE :	1/1

TITLE : 2.92mm MALE S/T SOLDER FOR SPB-360B CABLE, 50 Ω

DRAWING NO. : 5P9M15S-A531

COMPANY WEBSITE : www.slkcorp.com

CUSTOMER OUTLINE DRAWING