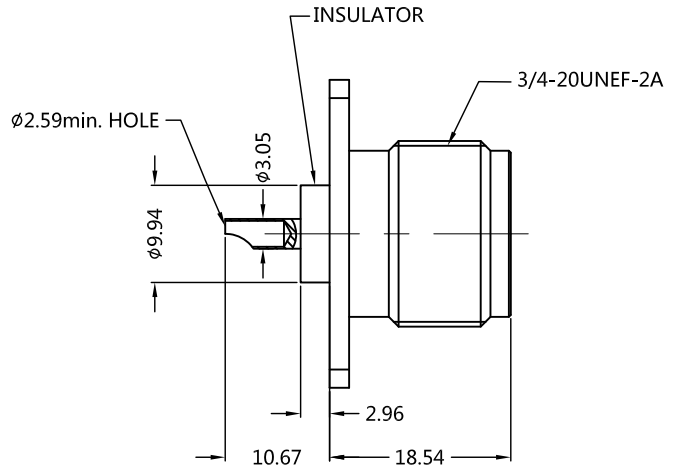
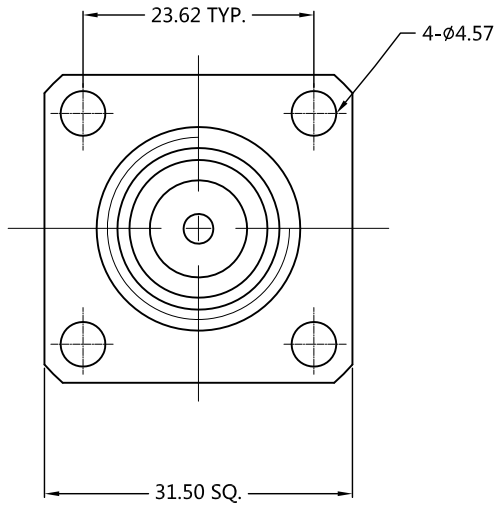


REV.	DESCRIPTION	ECN NO.	NAME	DATE
1	NEW FRAME	N/A	ZXH	2020-07-20



ALL PARTS MUST MEET TO RoHS REQUIREMENTS



MATERIALS AND PLATING		UNIT: MICRO-INCHES
PART NAME	MATERIALS	PLATING
BODY	BRASS C3604	NICKEL 200-300u" PLATED
INSULATOR	TEFLON MIL-P-19468	N/A
CONTACT PIN	BERYLLIUM COPPER	SILVER 200-300u" PLATED

ELECTRICAL CHARACTERISTICS	
IMPEDANCE	50 Ω
VOLTAGE RATING	1000 V(rms)
FREQUENCY RANGE	0 ~ 100 MHz
DIELECTRIC WITHSTANDING VOLTAGE	2000 V
CONTACT RESISTANCE	CENTER CONTACT <1.5 mΩ
	OUTER CONTACT <1.0mΩ
INSULATION RESISTANCE	>5000 MΩ
INSERTION LOSS	N/A
VSWR	N/A

MECHANICAL CHARACTERISTICS	
FORCE TO ENGAGE AND DISENGAGE	N/A
CENTER CONTACT RETENTION FORCE	6 lbs MIN.
RECOMMENDED COUPLING TORQUE	N/A
COUPLING NUT RETENTION FORCE	N/A
DURABILITY	>500cycles

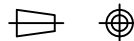
ENVIRONMENTAL PARAMETER	
TEMPERATURE RANGE	-65 °C~+165 °C
THERMAL SHOCK	US MIL- STD 202, Meth. 107, Cond. B
VIBRATION	US MIL- STD 202, Meth. 204, Cond. B
SHOCK	US MIL- STD 202, Meth. 213, Cond. I
CLIMATIC CLASS	IEC 60068 65/165/21

*** CUSTOMER OUTLINE DRAWING**

UNLESS OTHERWISE SPECIFIED:

- 1) EDGES : C0.15 MAX ;
- 2) REMOVE ALL BURRS ;
- 3) SURFACE ROUGHNESS : Ra1.6 ;
- 4) UNITS : mm ;
- 5) DIMENSIONS TOLERANCES
 DECIMALS : .x ±0.3 .xx ±0.2 .xxx±0.1;
 ANGLES : ± 5°.

THIRD ANGLE PROJECTION



APPROVED :

CUSTOMER P/N :

CHECKED :

SCALE :

1 : 1

DRAWING :

ZXH

DATE : 2020-07-20

PAGE : 1/1



TITLE : HN JACK S/T CONNECTOR FOR PANEL 50 Ω

DRAWING NO. :

5HNF25S-P01-001

COMPANY WEBSITE : www.slkcorp.com

CUSTOMER OUTLINE DRAWING