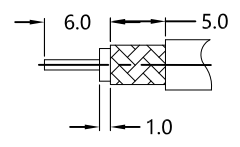


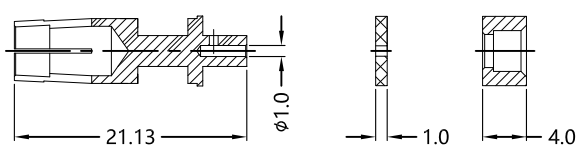
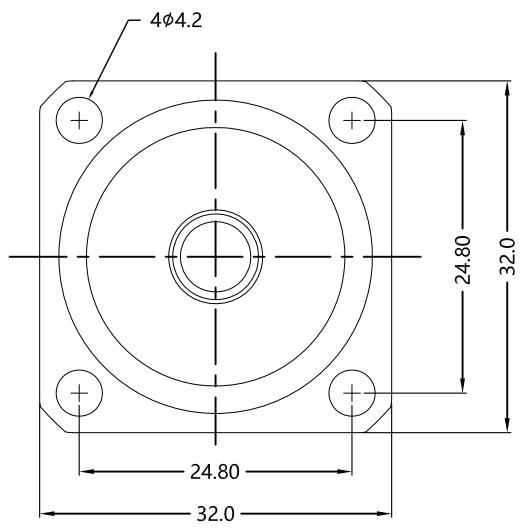
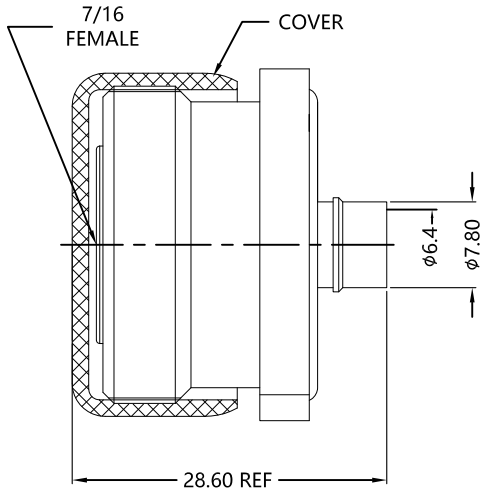
| REV. | DESCRIPTION | ECN NO. | NAME | DATE |
|------|-------------|---------|------|------------|
| 1 | NEW FRAME | N/A | JING | 2020-08-06 |



ALL PARTS MUST MEET TO RoHS REQUIREMENTS



RECOMMENDED CABLE STRIPPING DIM'S



| MATERIALS AND PLATING | | UNIT: MICRO-INCHES |
|-----------------------|--------------------|---------------------|
| PART NAME | MATERIALS | PLATING |
| BODY | NON-MAGNETIC BRASS | ALBALOY 80u"/COPPER |
| INSULATOR | TEFLON MIL-P-19468 | N/A |
| CONTACT PIN | NON-MAGNETIC PB-CU | SILVER 200u"/COPPER |
| GASKET | SILICONE | N/A |

| ELECTRICAL CHARACTERISTICS | |
|---------------------------------|----------------|
| IMPEDANCE | 50 Ω |
| VOLTAGE RATING | 750 V(rms) |
| FREQUENCY RANGE | 0 ~ 3 GHz |
| DIELECTRIC WITHSTANDING VOLTAGE | >1000 V |
| CONTACT RESISTANCE | CENTER CONTACT |
| | OUTER CONTACT |
| INSULATION RESISTANCE | >5000 MΩ |
| INSERTION LOSS | N/A |
| RF-LEAKAGE | N/A |
| VSWR | <1.2 |
| 3RD INTERMODULATION | <-160 dBc |

| MECHANICAL CHARACTERISTICS | |
|--------------------------------|----------------|
| FORCE TO ENGAGE AND DISENGAGE | N/A |
| CENTER CONTACT RETENTION FORCE | >45 lbs |
| RECOMMENDED COUPLING TORQUE | 221-260 in-lbs |
| COUPLING NUT RETENTION FORCE | >225 lbs |
| DURABILITY | >500 cycles |

| ENVIRONMENTAL PARAMETER | |
|-------------------------|------------------|
| TEMPERATURE RANGE | -55 °C ~ +155 °C |

* CUSTOMER OUTLINE DRAWING

UNLESS OTHERWISE SPECIFIED:
 1) EDGES : C0.15 MAX ;
 2) REMOVE ALL BURRS ;
 3) SURFACE ROUGHNESS : Ra1.6 ;
 4) UNITS : mm ;
 5) DIMENSIONS TOLERANCES
 DECIMALS : .x ±0.3 .xx ±0.2 .xxx±0.1;
 ANGLES : ± 5°.

| | |
|------------------------|----------------|
| THIRD ANGLE PROJECTION | |
| APPROVED : | CUSTOMER P/N : |
| CHECKED : | SCALE : |
| DRAWING : | DATE : |
| JING | 2020-08-06 |
| PAGE : 1/1 | |

TITLE : 7/16 FEMALE S/T 4-HOLES FLANGE FOR TFLEX-402 CABLE, 50Ω
 DRAWING NO. : 5A7F15S-A81
 COMPANY WEBSITE : www.slkcorp.com

CUSTOMER OUTLINE DRAWING