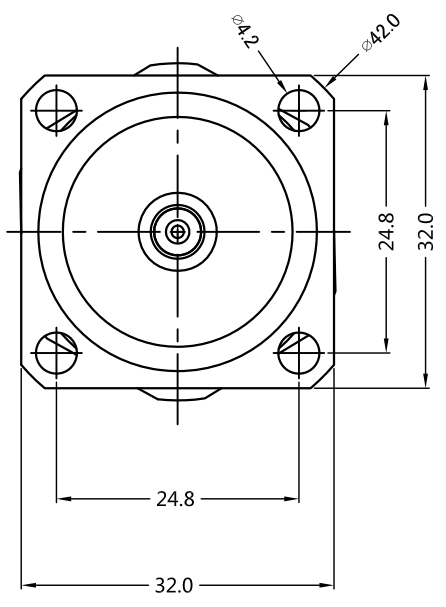
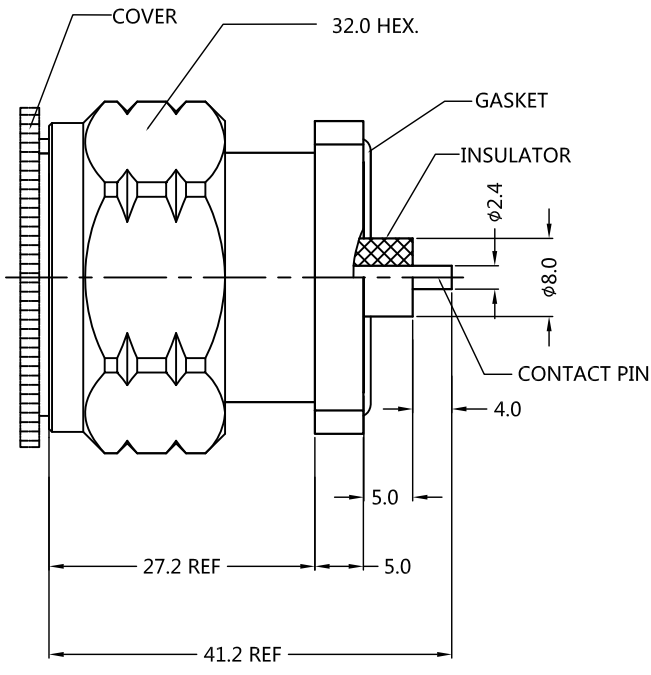


REV.	DESCRIPTION	ECN NO.	NAME	DATE
B1	UPDATE DRAWING	N/A	XIAO	2015-09-30
B2	NEW FRAME	N/A	JING	2020-06-04



ALL PARTS MUST MEET TO RoHS REQUIREMENTS



MATERIALS AND PLATING		UNIT: MICRO-INCHES
PART NAME	MATERIALS	PLATING
BODY/SHELL	BRASS C3604	ALBALOY 80u"/COPPER
INSULATOR	TEFLON	N/A
CONTACT PIN	BRASS C3604	SILVER 200"/COPPER
GASKET	SILICONE	N/A
RAITING RING	PHOSPHOR BRONZE	N/A

ELECTRICAL CHARACTERISTICS	
IMPEDANCE	50 Ω
VOLTAGE RATING	2700 V(rms)
FREQUENCY RANGE	0 ~ 3 GHz
DIELECTRIC WITHSTANDING VOLTAGE	>3000 V
CONTACT RESISTANCE	CENTER CONTACT <math><1.5\text{m}\Omega</math>
	OUTER CONTACT <math><1.0\text{ m}\Omega</math>
INSULATION RESISTANCE	>10000 M Ω
INSERTION LOSS	ACCORDING AS THE CABLE
VSWR	<1.15
3RD INTERMODULATION	-160 dBc MAX(2x43dBm/910MHz)

MECHANICAL CHARACTERISTICS	
FORCE TO ENGAGE AND DISENGAGE	N/A
CENTER CONTACT RETENTION FORCE	>45 lbs
RECOMMENDED COUPLING TORQUE	221-265 in-lbs
COUPLING NUT RETENTION FORCE	>225
DURABILITY	>500 cycles

ENVIRONMENTAL PARAMETER	
TEMPERATURE RANGE	-55 $^{\circ}\text{C}$ ~ +125 $^{\circ}\text{C}$
THERMAL SHOCK	MIL- STD 202, Meth. 107, Cond. B
VIBRATION	MIL- STD 202, Meth. 204, Cond. B
CLIMATIC CLASS	IEC 60068 65 / 165 / 21
WATERPROOF	IP65

*** CUSTOMER OUTLINE DRAWING**

UNLESS OTHERWISE SPECIFIED:
 1) EDGES : C0.15 MAX ;
 2) REMOVE ALL BURRS ;
 3) SURFACE ROUGHNESS : Ra1.6 ;
 4) UNITS : mm ;
 5) DIMENSIONS TOLERANCES
 DECIMALS : .x ± 0.3 .xx ± 0.2 .xxx ± 0.1 ;
 ANGLES : $\pm 5^{\circ}$.

THIRD ANGLE PROJECTION		
APPROVED :	CUSTOMER P/N :	-
CHECKED :	SCALE :	4 : 3
DRAWING :	DATE :	2020-06-04
JING	PAGE :	1/1

TITLE : 7/16 MALE CONNECTOR WITH FLANGE
 DRAWING NO. : 5A7M24S-P01
 COMPANY WEBSITE : www.slkcorp.com

CUSTOMER OUTLINE DRAWING