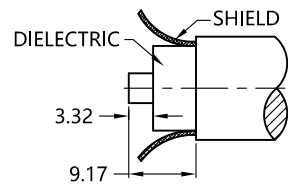
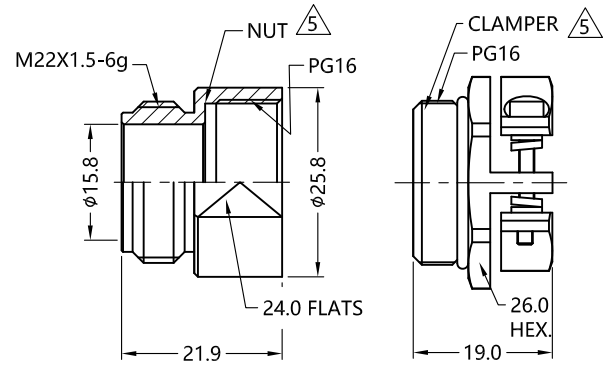
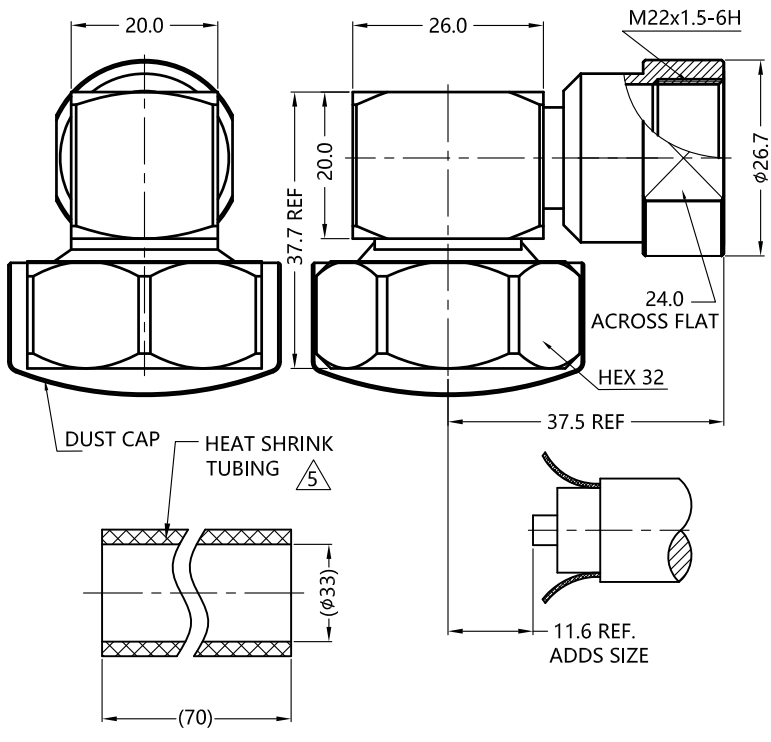
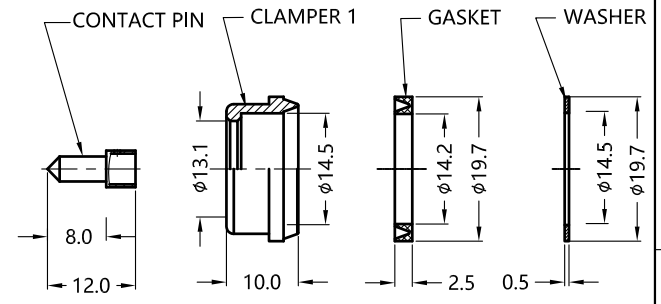


REV.	DESCRIPTION	ECN NO.	NAME	DATE
3	ADD SIZE AND DEL.INSULATOR	N/A	ZLX	2018-06-08
4	NEW FRAME	N/A	JING	2020-05-27
5	UPDATE THE DRAWING	N/A	Liu	2021-03-09



ALL PARTS MUST MEET TO RoHS REQUIREMENTS

RECOMMENDED CABLE STRIPPING DIM'S



MATERIALS AND PLATING		UNIT: MICRO-INCHES
PART NAME	MATERIALS	PLATING
BODY/SHELL	BRASS C3604	ALBALOY 80u"/COPPER
INSULATOR	PTFE	N/A
CONTACT PIN	BRASS+BE-CU	SILVER 200u"/COPPER
	BRASS C3604	GOLD 3u"/COPPER
GASKET	SILICONE	N/A

ELECTRICAL CHARACTERISTICS		
IMPEDANCE	50 Ω	
VOLTAGE RATING	1200 V(rms)	
FREQUENCY RANGE	0 ~ 3 GHz	
DIELECTRIC WITHSTANDING VOLTAGE	>4000 V	
CONTACT RESISTANCE	CENTER CONTACT	<0.4 mΩ
	OUTER CONTACT	<1.5 mΩ
INSULATION RESISTANCE	>10000 MΩ	
INSERTION LOSS	N/A	
RF-LEAKAGE	N/A	
VSWR	N/A	
3RD INTERMODULATION	N/A	

MECHANICAL CHARACTERISTICS	
FORCE TO ENGAGE AND DISENGAGE	N/A
CENTER CONTACT RETENTION FORCE	N/A
RECOMMENDED COUPLING TORQUE	221-260 in-lbs
COUPLING NUT RETENTION FORCE	>225 lbs
DURABILITY	>500 cycles

ENVIRONMENTAL PARAMETER	
TEMPERATURE RANGE	-40 °C ~ +125 °C
SHOCK	MIL- STD 202, Meth. 213, Cond. I
VIBRATION	MIL- STD 202, Meth. 204, Cond. B

* CUSTOMER OUTLINE DRAWING

UNLESS OTHERWISE SPECIFIED:
 1) EDGES : C0.15 MAX ;
 2) REMOVE ALL BURRS ;
 3) SURFACE ROUGHNESS : Ra1.6 ;
 4) UNITS : mm ;
 5) DIMENSIONS TOLERANCES
 DECIMALS : .x ±0.3 .xx ±0.2 .xxx ±0.1;
 ANGLES : ± 5°.

THIRD ANGLE PROJECTION	
APPROVED :	CUSTOMER P/N :
CHECKED :	SCALE :
DRAWING :	DATE : 2021-03-09
PAGE : 1/1	

TITLE : 7/16 MALE R/A CONNECTOR FOR SFT-600(056") CABLE
 DRAWING NO. : 5A7M14R-A270
 COMPANY WEBSITE : www.slkcorp.com

CUSTOMER OUTLINE DRAWING