
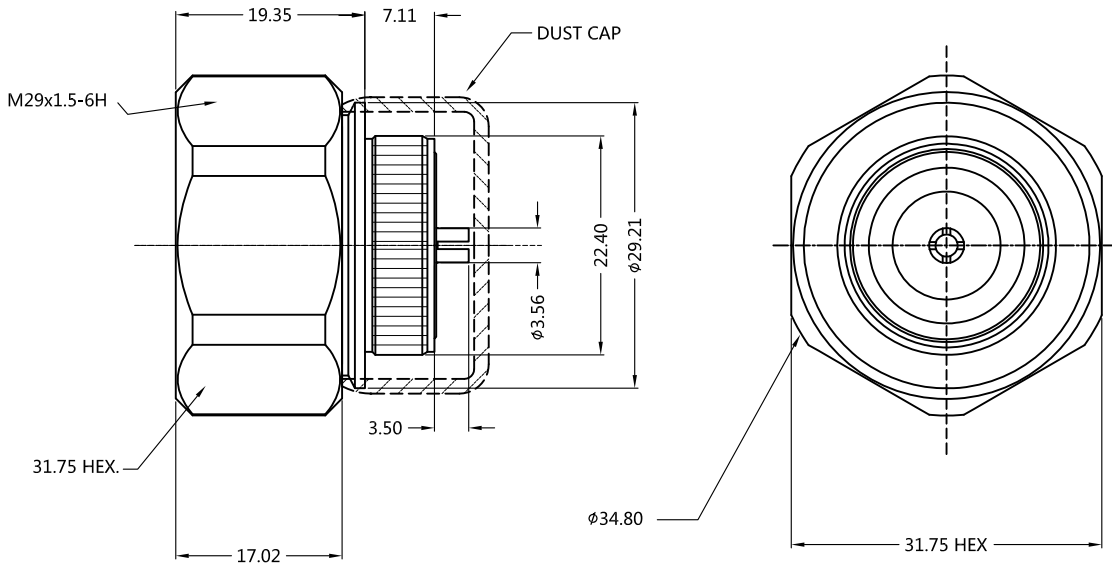


REV.	DESCRIPTION	ECN NO.	NAME	DATE	 ALL PARTS MUST MEET TO RoHS REQUIREMENTS
1	NEW FRAME	N/A	JING	2020-06-04	



MATERIALS AND PLATING		UNIT: MICRO-INCHES
PART NAME	MATERIALS	PLATING
BODY	BRASS	ALBALOY 120u"/COPPER
INSULATOR	PTFE	N/A
CONTACT PIN	BRASS	ALBALOY 120u"/COPPER
SHELL	BRASS	ALBALOY 120u"/COPPER

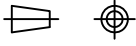
ELECTRICAL CHARACTERISTICS	
IMPEDANCE	50 Ω
VOLTAGE RATING	1000 V(rms)
FREQUENCY RANGE	0 ~ 2.5 GHz
DIELECTRIC WITHSTANDING VOLTAGE	>3000 V
CONTACT RESISTANCE	CENTER CONTACT
	OUTER CONTACT
INSULATION RESISTANCE	>10000 MΩ
INSERTION LOSS	<0.1x/f(GHz)
RF-LEAKAGE	N/A
VSWR	<1.30
3RD INTERMODULATION	<-165 dBc

MECHANICAL CHARACTERISTICS	
FORCE TO ENGAGE AND DISENGAGE	N/A
CENTER CONTACT RETENTION FORCE	>45 lbs
RECOMMENDED COUPLING TORQUE	>310 in-lbs
COUPLING NUT RETENTION FORCE	>225 lbs
DURABILITY	>500 cycles

ENVIRONMENTAL PARAMETER	
TEMPERATURE RANGE	-40 °C ~ +85 °C
THERMAL SHOCK	MIL- STD 202, Meth. 107, Cond. B
VIBRATION	MIL- STD 202, Meth. 204, Cond. A
SHOCK	MIL- STD 202, Meth. 213, Cond. A

*** CUSTOMER OUTLINE DRAWING**

UNLESS OTHERWISE SPECIFIED:
 1) EDGES : C0.15 MAX ;
 2) REMOVE ALL BURRS ;
 3) SURFACE ROUGHNESS : Ra1.6 ;
 4) UNITS : mm ;
 5) DIMENSIONS TOLERANCES
 DECIMALS : .x ±0.3 .xx ±0.2 .xxx±0.1;
 ANGLES : ± 5°.

THIRD ANGLE PROJECTION		
APPROVED :	CUSTOMER P/N :	
CHECKED :	SCALE :	4 : 3
DRAWING :	DATE :	2020-06-04
JING	PAGE :	1/1



TITLE : 7/16 S/T MALE CONNECTOR

DRAWING NO. : 5A7M25S-P01-004

COMPANY WEBSITE : www.slkcorp.com

CUSTOMER OUTLINE DRAWING