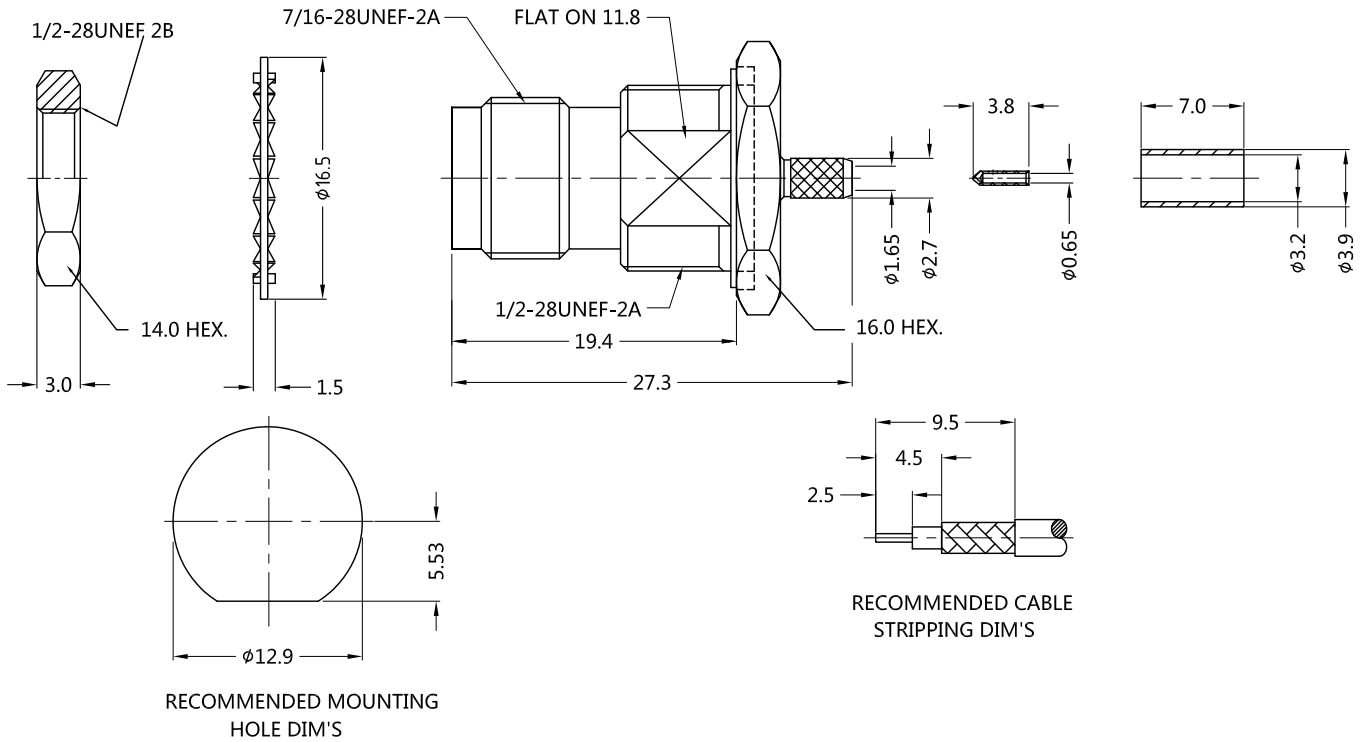


REV.	DESCRIPTION	ECN NO.	NAME	DATE
0	FIRST EDITION	N/A	LTZ	2018-12-27
1	UPDATE THE DRAWING	N/A	LTZ	2019-07-31
2	ADD GASKET INFORMATION	N/A	LTZ	2019-08-30
3	CORRECT SOME DIFFERENCES	N/A	LTZ	2019-09-23
4	REPLACE FRAME	N/A	Kevin.Li	2020-07-02



ALL PARTS MUST MEET TO RoHS REQUIREMENTS

REMARKS:  
 1.CONTACT PIN TO SOLDER  
 2.PANEL THICKNESS: 3.5 MAX.  
 3.CRIMP FERRULE FOR .130" HEX.



MATERIALS AND PLATING		UNIT: MICRO-INCHES
PART NAME	MATERIALS	PLATING
BODY/SHELL	BRASS	ALBALOY PL.80u" / COPPER
INSULATOR	PTFE ASTM-D-1710	N/A
CONTACT PIN	PHOSPHOR BRONZE	GOLD 30u" / NICKEL / COPPER
FERRULE	BRASS	ALBALOY PL.80u" / COPPER
GASKET	SILICONE	RED
WASHER / NUT	BRASS	ALBALOY PL.80u" / COPPER

ELECTRICAL CHARACTERISTICS		
IMPEDANCE	50 Ω	
VOLTAGE RATING	500V(rms)	
FREQUENCY RANGE	0 ~ 3 GHz	
DIELECTRIC WITHSTANDING VOLTAGE	1000 V	
CONTACT RESISTANCE	CENTER CONTACT	<1.5 mΩ
	OUTER CONTACT	<0.2 mΩ
INSULATION RESISTANCE	>5000MΩ	
INSERTION LOSS	ACCORDING TO THE CABLE	
VSWR	< 1.30	
3RD INTERMODULATION	N/A	

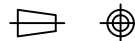
MECHANICAL CHARACTERISTICS	
FORCE TO ENGAGE AND DISENGAGE	N/A
CENTER CONTACT RETENTION FORCE	>6 lbs
RECOMMENDED COUPLING TORQUE	N/A
COUPLING NUT RETENTION FORCE	N/A
DURABILITY	> 500cycles

ENVIRONMENTAL PARAMETER	
TEMPERATURE RANGE	-65 °C ~ +165 °C
VIBRATION	MIL-STD-202,METHOD 202,COND D
SHOCK	MIL-STD-202,METHOD 202
CORROSION	MIL-STD-202,METHOD 101,COND B
AIRTIGHT	-35KPA ~ +35KPA

\* CUSTOMER OUTLINE DRAWING

UNLESS OTHERWISE SPECIFIED:  
 1) EDGES : C0.15 MAX ;  
 2) REMOVE ALL BURRS ;  
 3) SURFACE ROUGHNESS : Ra1.6 ;  
 4) UNITS : mm ;  
 5) DIMENSIONS TOLERANCES  
 DECIMALS : .x ±0.3 .xx ±0.2 .xxx±0.1;  
 ANGLES : ± 5°.

THIRD ANGLE PROJECTION



APPROVED :

CUSTOMER P/N :

CHECKED :

SCALE :

DRAWING :

DATE : 2020-07-02

PAGE : 1/1



TITLE : TNC FEMALE S/T CRIMP FOR RG-316 CABLE,BULKHEAD-FRONT MOUNT,50Ω

DRAWING NO. :

5TCF31S-A02-002

COMPANY WEBSITE : www.slkcorp.com

CUSTOMER OUTLINE DRAWING