

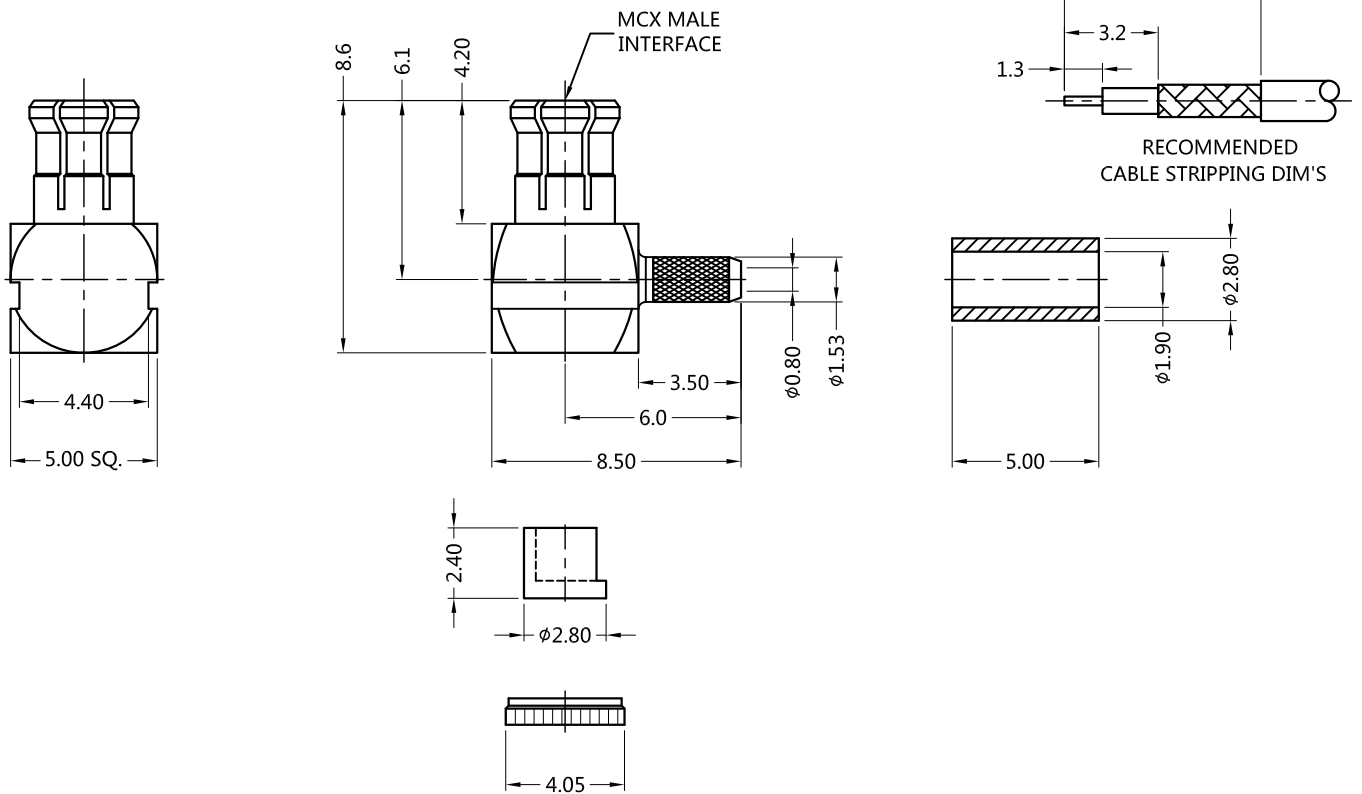
REV.	DESCRIPTION	ECN NO.	NAME	DATE				
1	NEW FRAME	N/A	HYH	2020-08-19				



ALL PARTS MUST MEET TO RoHS REQUIREMENTS

REMARKS:

1. CRIMPED FERRULE HEX. CRIMP SIZE .095"
2. CONTACT PIN TO SOLDER



MATERIALS AND PLATING		UNIT: MICRO-INCHES
PART NAME	MATERIALS	PLATING
BODY	BRASS+Be-Cu	GOLD PL.3u"/NICKEL/COPPER
CONTACT PIN	BRASS C3604	GOLD PL.30u"/NICKEL/COPPER
INSULATOR	PTFE ASTM-D-1710	N/A
FERRULE	BRASS	GOLD PL.1u"/NICKEL/COPPER

ELECTRICAL CHARACTERISTICS	
IMPEDANCE	50 Ω
VOLTAGE RATING	335 V(rms)
FREQUENCY RANGE	0 ~ 6 GHz
DIELECTRIC WITHSTANDING VOLTAGE	>750 V
CONTACT RESISTANCE	CENTER CONTACT
	OUTER CONTACT
INSULATION RESISTANCE	>1000 MΩ
INSERTION LOSS	N/A
RETURN LOSS	N/A
VSWR	< 1.35(0-3 GHz)
3RD INTERMODULATION	N/A

MECHANICAL CHARACTERISTICS	
FORCE TO ENGAGE AND DISENGAGE	N/A
CENTER CONTACT RETENTION FORCE	>2.25 lbs
RECOMMENDED COUPLING TORQUE	N/A
CABLE RETENTION FORCE	N/A
DURABILITY	>500 cycles

ENVIRONMENTAL PARAMETER	
TEMPERATURE RANGE	-40 °C ~ +165 °C
VIBRATION	US MIL- STD 202, Meth. 204, Cond. A

* CUSTOMER OUTLINE DRAWING

UNLESS OTHERWISE SPECIFIED:

- 1) EDGES : C0.15 MAX ;
- 2) REMOVE ALL BURRS ;
- 3) SURFACE ROUGHNESS : Ra1.6 ;
- 4) UNITS : mm ;
- 5) DIMENSIONS TOLERANCES
 DECIMALS : .x ±0.3 .xx ±0.2 .xxx±0.1;
 ANGLES : ± 5°.

THIRD ANGLE PROJECTION



APPROVED :

CUSTOMER P/N :

CHECKED :

SCALE :

1 : 1

DRAWING :

HYH

DATE : 2020-08-19

PAGE : 1/1



TITLE : MCX MALE R/A CRIMP FOR OD1.32 CABLE,50Ω

DRAWING NO. :

5MXM11R-A425-002

COMPANY WEBSITE : www.slkcorp.com

CUSTOMER OUTLINE DRAWING