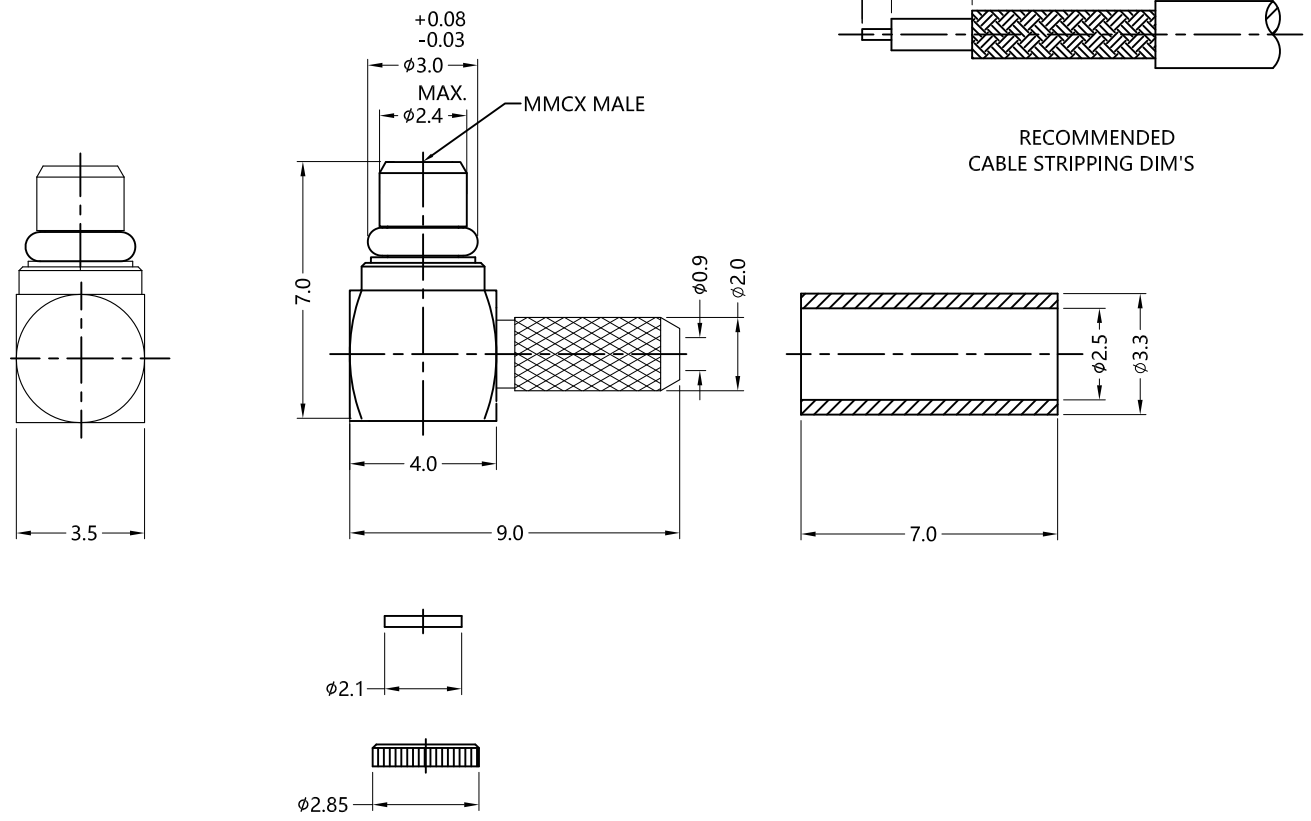


REV	DESCRIPTION	ECN NO	NAME	DATE
0	FIRST EDITION	N/A	YWD	2017-06-12
1	NEW FRAME	N/A	Liu	2020-09-16



ALL PARTS MUST MEET TO RoHS REQUIREMENTS

1. CRIMPED FERRULE HEX. CRIMP SIZE .110"
2. CONTACT PIN TO SOLDER
3. ADD SIZE: 0.5mm



RECOMMENDED CABLE STRIPPING DIM'S

MATERIALS AND PLATING		UNIT: MICRO-INCHES
BODY	BRASS C3604	GOLD 10 u" /NICKEL/COPPER
CONTACT PIN	BRASS C3604	GOLD 30 u" /NICKEL/COPPER
INSULATOR	PTFE ASTM-D-1710	N/A
C RING	Be-Cu C17300	GOLD 10 u" /NICKEL/COPPER
COVER	BRASS C3602	GOLD 10 u" /NICKEL/COPPER
FERRULE	BRASS C3604	GOLD 10 u" /NICKEL/COPPER

ELECTRICAL CHARACTERISTICS	
IMPEDANCE	50 Ω
VOLTAGE RATING	175 V(rms)
FREQUENCY RANGE	0~6 GHz
DIELECTRIC WITHSTANDING VOLTAGE	>500 V
CONTACT RESISTANCE	CENTER CONTACT <5.0 mΩ
	OUTER CONTACT <2.5 mΩ
INSULATION RESISTANCE	>500 MΩ
INSERTION LOSS	N/A
VSWR	<1.30
3RD INTERMODULATION	N/A

MECHANICAL CHARACTERISTICS	
ENGAGEMENT FORCE	<4 lbs
DISENGAGE FORCE	1.35~4 lbs
CENTER CONTACT RETENTION FORCE	>2.25 lbs
DURABILITY	>500 cycles

ENVIRONMENTAL CHARACTERISTICS	
TEMPERATURE RANGE	-40 °C~+165 °C

CUSTOMER OUTLINE DRAWING

* CUSTOMER OUTLINE DRAWING

UNLESS OTHERWISE SPECIFIED:
 1) C0.15 MAX;
 2) REMOVE ALL BURRS;
 3) SURFACE ROUGHNESS : Ra1.6;
 4) UNITS:mm;
 5) DIMENSIONS TOLERANCES
 DECIMALS .x ±0.3 .xx ±0.2 .xxx±0.1
 ANGLES ±5°

THIRD ANGLE PROJECTION		
APPROVED:	CUSTOMER P/N:	-
CHECKED:	SCALE:	5:1
DRAWING:	DATE:	2020-09-16
COMPANY WEBSITE:		www.slkcorp.com

TITLE: MMCX MALE R/A CRIMP FOR RG178 & RG196 CABLE,50Ω
 DRAWING NO: 5MCM11R-A03-006