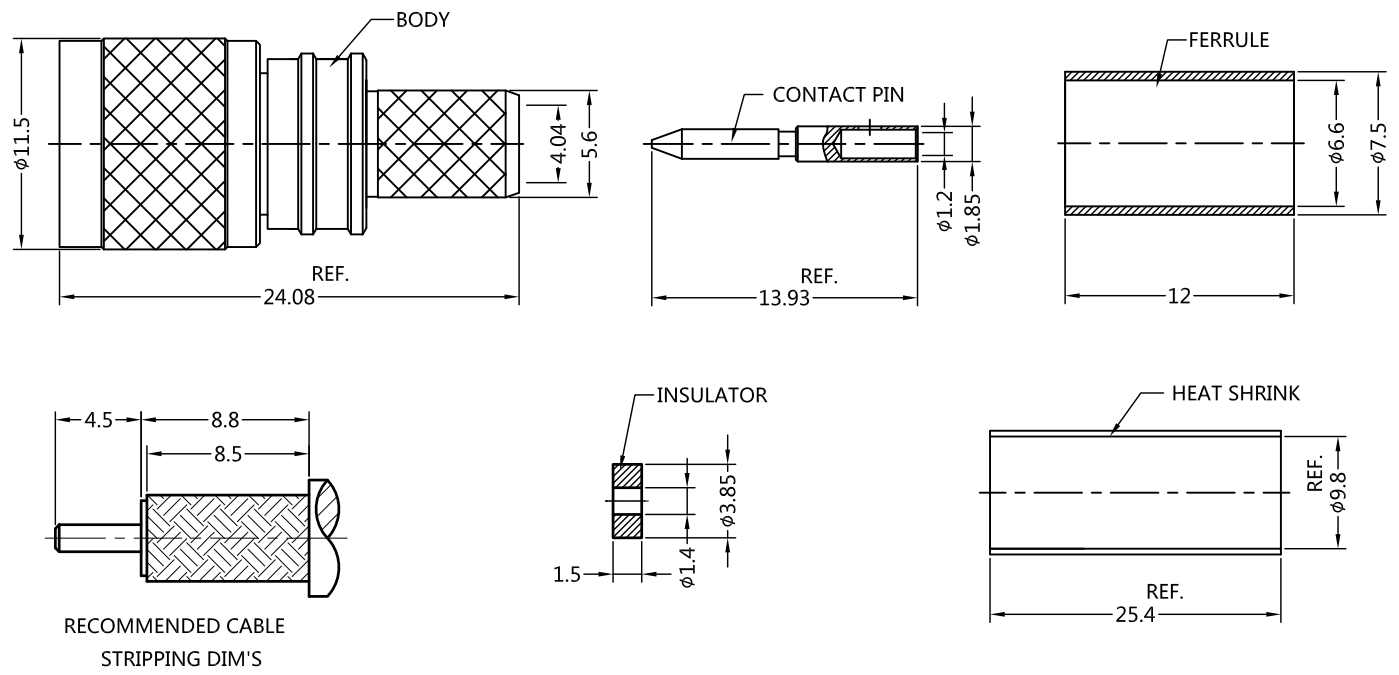


REV.	DESCRIPTION	ECN NO.	NAME	DATE				
2	NEW FRAME	N/A	HYH	2020-08-12				



ALL PARTS MUST MEET TO RoHS REQUIREMENTS

REMARKS:
1. CRIMPED FERRULE HEX. CRIMP SIZE .256"



MATERIALS AND PLATING		UNIT: MICRO-INCHES
PART NAME	MATERIALS	PLATING
BODY	BRASS C3604	NICKEL PL.200 u" / COPPER
CONTACT PIN	BRASS C3604	GOLD PL.10u" / NICKEL/ COPPER
INSULATOR	TEFLON MIL-P-19468	N/A
FERRULE	COPPER	NICKEL PL.200 u" / COPPER

ELECTRICAL CHARACTERISTICS		
IMPEDANCE	50 Ω	
VOLTAGE RATING	500 V(rms)	
FREQUENCY RANGE	0 ~ 6 GHz	
DIELECTRIC WITHSTANDING VOLTAGE	750 V	
CONTACT RESISTANCE	CENTER CONTACT	<3.0 mΩ
	OUTER CONTACT	<2.0 mΩ
INSULATION RESISTANCE	>5000 MΩ	
INSERTION LOSS	N/A	
VSWR	1.25 MAX.(0-2.5GHz)	
3RD INTERMODULATION	N/A	

MECHANICAL CHARACTERISTICS	
FORCE TO ENGAGE AND DISENGAGE	N/A
CENTER CONTACT RETENTION FORCE	>6 lbs
COUPLING TORQUE	N/A
COUPLING NUT RETENTION FORCE	N/A
DURABILITY	>500 cycles

ENVIRONMENTAL PARAMETER	
TEMPERATURE RANGE	-55 °C ~ +125 °C

*** CUSTOMER OUTLINE DRAWING**

UNLESS OTHERWISE SPECIFIED:
 1) EDGES : C0.15 MAX ;
 2) REMOVE ALL BURRS ;
 3) SURFACE ROUGHNESS : Ra1.6 ;
 4) UNITS : mm ;
 5) DIMENSIONS TOLERANCES
 DECIMALS : .x ±0.3 .xx ±0.2 .xxx±0.1;
 ANGLES : ± 5°.

THIRD ANGLE PROJECTION		
APPROVED :	CUSTOMER P/N :	
CHECKED :	SCALE :	1 : 1
DRAWING :	DATE :	2020-08-12
	PAGE :	1/1

SLK
— SUPERLINK —

TITLE : MU MALE S/T CRIMP FOR LMR240 CABLE,50Ω

DRAWING NO. : 5MUM11S-A46

COMPANY WEBSITE : www.slkcorp.com

CUSTOMER OUTLINE DRAWING