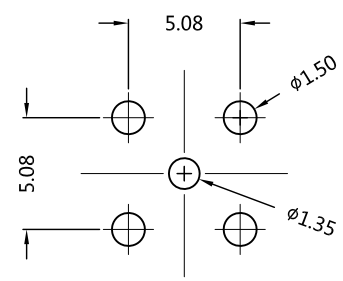
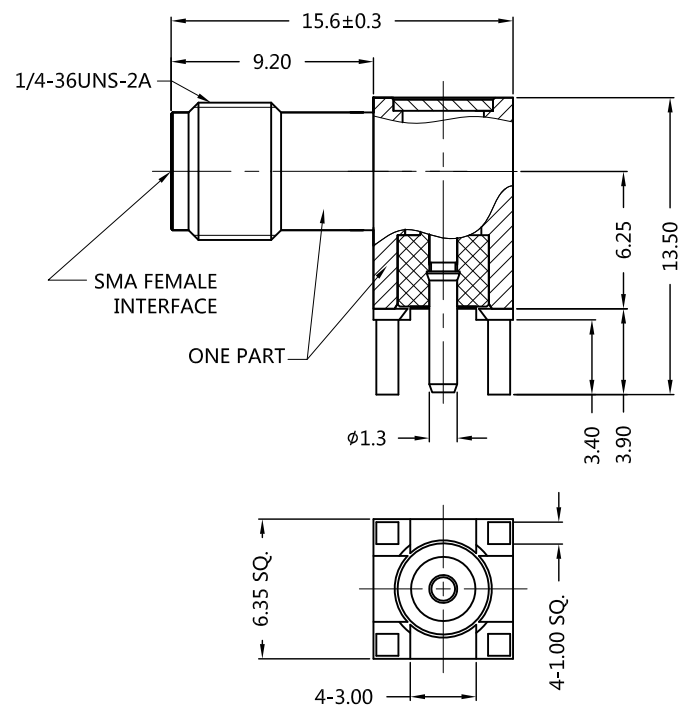


REV.	DESCRIPTION	ECN NO.	NAME	DATE
0	FIRST EDITION	N/A	XU	2016-04-21
A0	Modified electroplating	N/A	lihemin	2016-12-08
A1	Modified electroplating	N/A	lihemin	2016-12-20
A2	CHANG TWO PARTS TO ONE PART , ADD DIM'S	N/A	Fang	2018-09-19
A3	Update the mechanical characteristics	N/A	Fang	2018-11-21
A4	UPDATE DRAWING	N/A	QGZ	2020-07-09



ALL PARTS MUST MEET TO RoHS REQUIREMENTS



RECOMMENDED MOUNTING HOLE DIM'S

MATERIALS AND PLATING		UNIT: MICRO-INCHES
BODY	BRASS C3604	GOLD 1.5 u"/COPPER/NICKEL
CONTACT PIN	Be-Cu C17300	GOLD 3 u"MIN./COPPER/NICKEL
INSULATOR	PTFE ASTM-D-1710	N/A
COVER	BRASS C3604	GOLD 1.5u"/COPPER/NICKEL
CONTACT PIN 1	BRASS C3604	GOLD 3 u"/COPPER/NICKEL

ELECTRICAL CHARACTERISTICS	
IMPEDANCE	50 Ω
VOLTAGE RATING	500 V(rms)
FREQUENCY RANGE	0 ~ 6 GHz
DIELECTRIC WITHSTANDING VOLTAGE	>1000 V
CONTACT RESISTANCE	CENTER CONTACT
	OUTER CONTACT
INSULATION RESISTANCE	>5000 MΩ
INSERTION LOSS	<0.1 dB@3GHz
VSWR	<1.23 @DC~ 3 GHz
3RD INTERMODULATION	N/A

MECHANICAL CHARACTERISTICS	
FORCE TO ENGAGE AND DISENGAGE	N/A
CENTER CONTACT RETENTION FORCE	>6 lbs
RECOMMENDED COUPLING TORQUE	7~10 in.lbs
COUPLING NUT RETENTION FORCE	>60 lbs
DURABILITY	>500cycles

ENVIRONMENTAL PARAMETER	
TEMPERATURE RANGE	-40 °C~+125 °C
THERMAL SHOCK	MIL- STD 202, Meth. 107,Cond. B
VIBRATION	MIL- STD 202, Meth. 204,Cond. B
SHOCK	MIL- STD 202, Meth. 213,Cond. I

CUSTOMER OUTLINE DRAWING

\* CUSTOMER OUTLINE DRAWING

UNLESS OTHERWISE SPECIFIED:  
 1) EDGES : C0.15 MAX ;  
 2) REMOVE ALL BURRS ;  
 3) SURFACE ROUGHNESS : Ra1.6 ;  
 4) UNITS : mm ;  
 5) DIMENSIONS TOLERANCES  
 DECIMALS : .x ±0.3 .xx ±0.2 .xxx±0.1;  
 ANGLES : ± 5°.

THIRD ANGLE PROJECTION	
APPROVED :	CUSTOMER P/N :
CHECKED :	SCALE :
DRAWING :	DATE :
PAGE : 1/1	

TITLE : SMA FEMALE R/A FOR PCB, 50Ω  
 DRAWING NO. : 5MAF25R-P41-028  
 COMPANY WEBSITE : www.slkcorp.com