
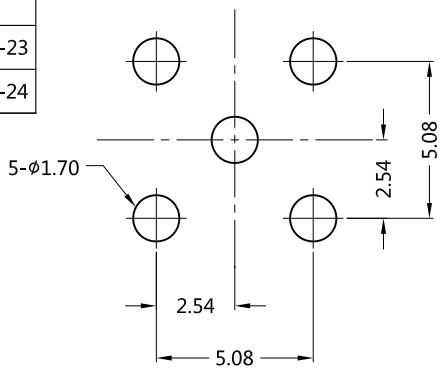
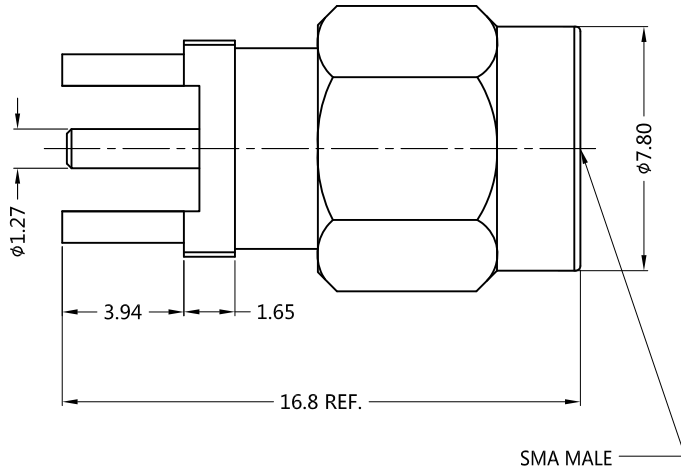
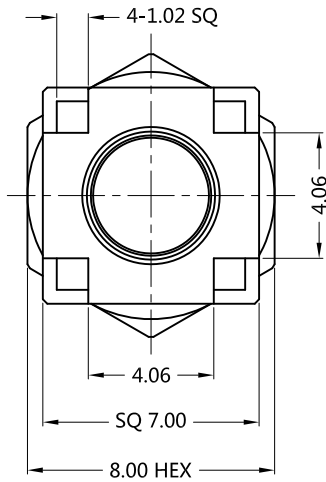


REV.	DESCRIPTION	ECN NO.	NAME	DATE	 ALL PARTS MUST MEET TO RoHS REQUIREMENTS
0	FIRST EDITION	N/A	CLOUD	2013-02-23	
1	NEW FRAME	N/A	LEI CHAO	2020-06-24	



RECOMMENDED MOUNTING HOLES DIM'S



MATERIALS AND PLATING		UNIT: MICRO-INCHES
PART NAME	MATERIALS	PLATING
BODY	BRASS C3604	GOLD 5u"/ NICKEL/COPPER
INSULATOR	PTFE MIL-P-19468	N/A
CONTACT PIN	BRASS C3604	GOLD 20 u"/ NICKEL/COPPER
SHELL	BRASS C3604	GOLD 5 u"/ NICKEL/COPPER

ELECTRICAL CHARACTERISTICS	
IMPEDANCE	50 Ω
VOLTAGE RATING	335 V(rms)
FREQUENCY RANGE	DC ~ 6 GHz
DIELECTRIC WITHSTANDING VOLTAGE	> 500 V
CONTACT RESISTANCE	CENTER CONTACT
	OUTER CONTACT
INSULATION RESISTANCE	> 5000 MΩ
INSERTION LOSS	0.05x √F (GHz) dB
VSWR	< 1.3
3RD INTERMODULATION	N/A

MECHANICAL CHARACTERISTICS	
FORCE TO ENGAGE AND DISENGAGE	N/A
CENTER CONTACT RETENTION FORCE	> 6 lbs
RECOMMENDED COUPLING TORQUE	7-10 in-lbs
COUPLING NUT RETENTION FORCE	> 60 lbs
DURABILITY	> 500cycles

ENVIRONMENTAL PARAMETER	
TEMPERATURE RANGE	-55 °C~+155 °C
VIBRATION	MIL-STD-202,Method 204,Cond D
SHOCK	MIL-STD-202,Method 213
CORROSION	MIL-STD-202,Method 101,Cond B

* CUSTOMER OUTLINE DRAWING

UNLESS OTHERWISE SPECIFIED:

- 1) EDGES : C0.15 MAX ;
- 2) REMOVE ALL BURRS ;
- 3) SURFACE ROUGHNESS : Ra1.6 ;
- 4) UNITS : mm ;
- 5) DIMENSIONS TOLERANCES
 DECIMALS : .x ±0.3 .xx ±0.2 .xxx±0.1;
 ANGLES : ± 5°.

THIRD ANGLE PROJECTION



APPROVED :

CUSTOMER P/N :

CHECKED :

SCALE :

4 : 1

DRAWING :

DATE : 2020-06-24

PAGE : 1/1



TITLE : SMA MALE S/T FOR PCB THROUGH HOLE ,50 Ω

DRAWING NO. : 5MAM25S-P41

COMPANY WEBSITE : www.slkcorp.com

CUSTOMER OUTLINE DRAWING