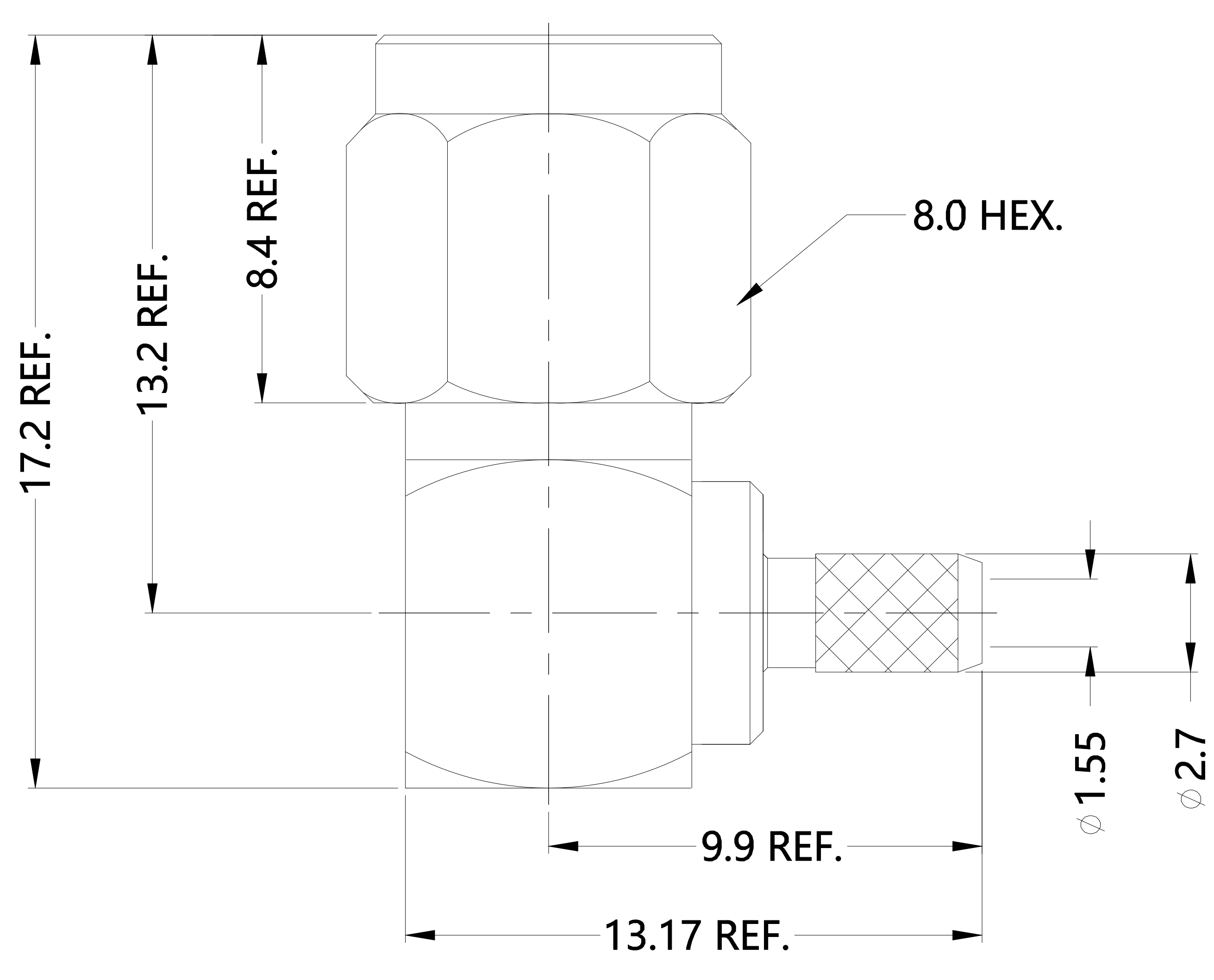


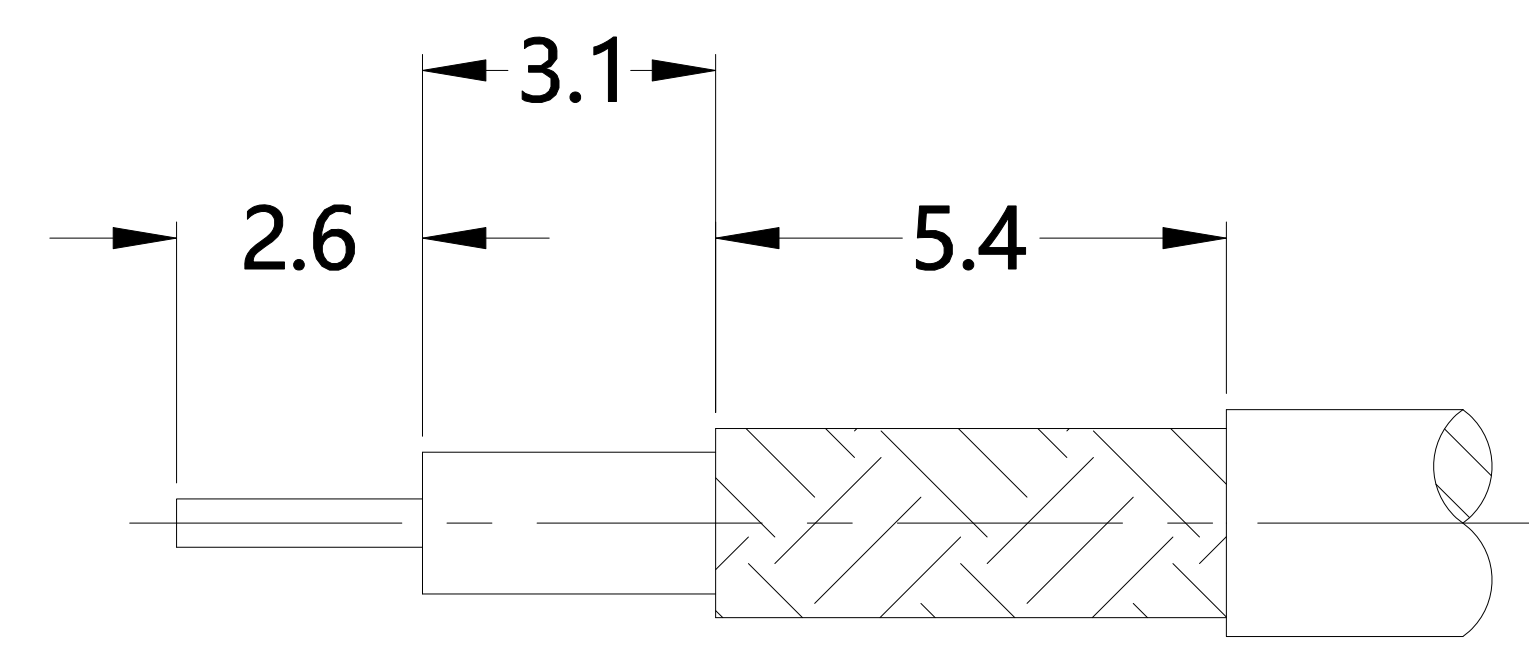
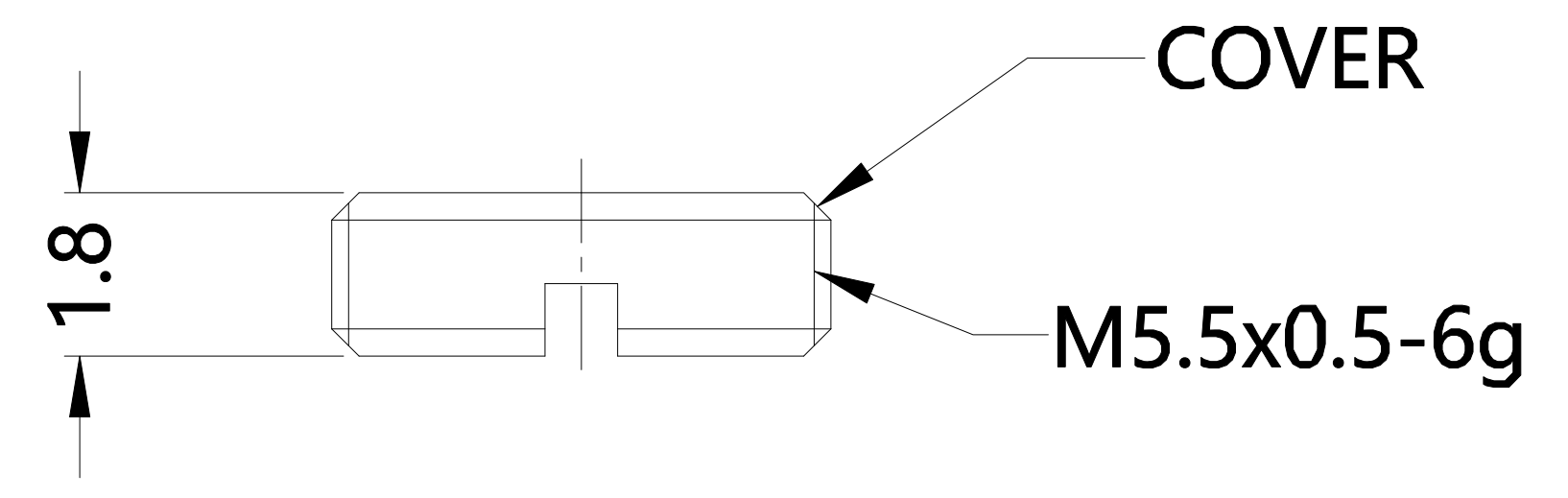
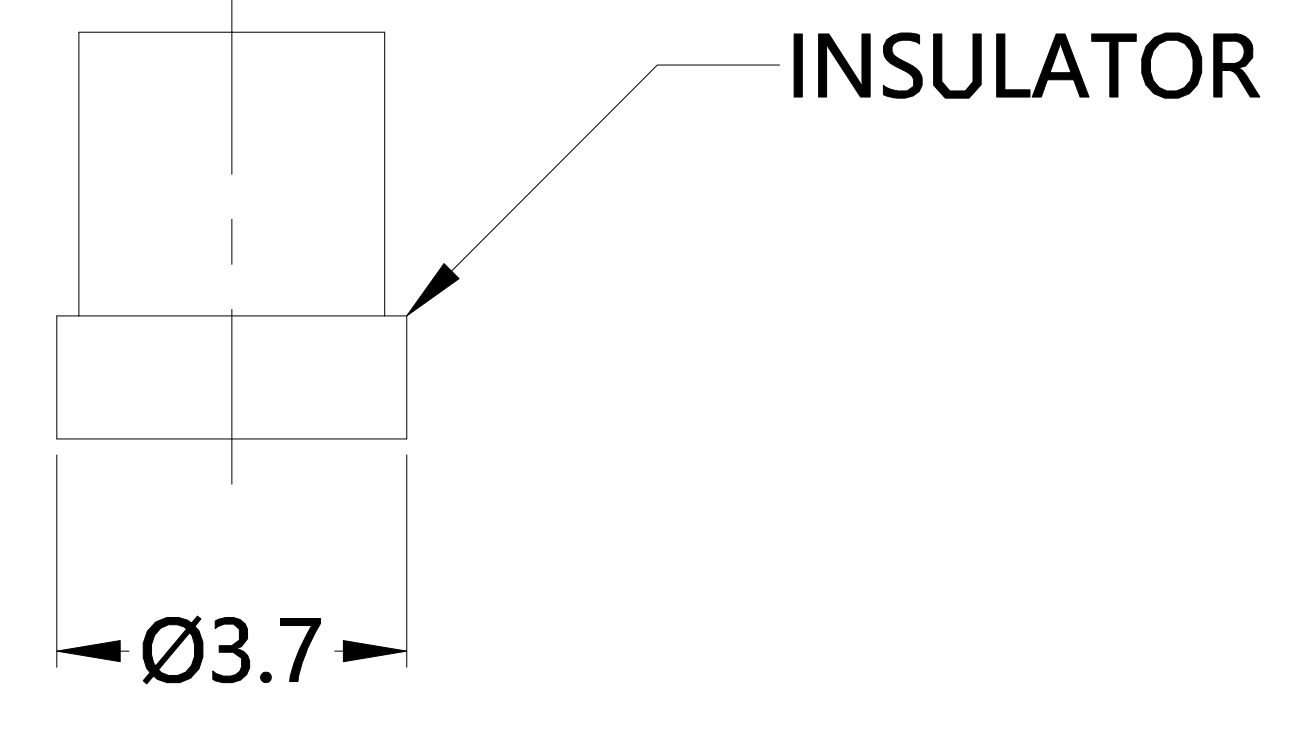
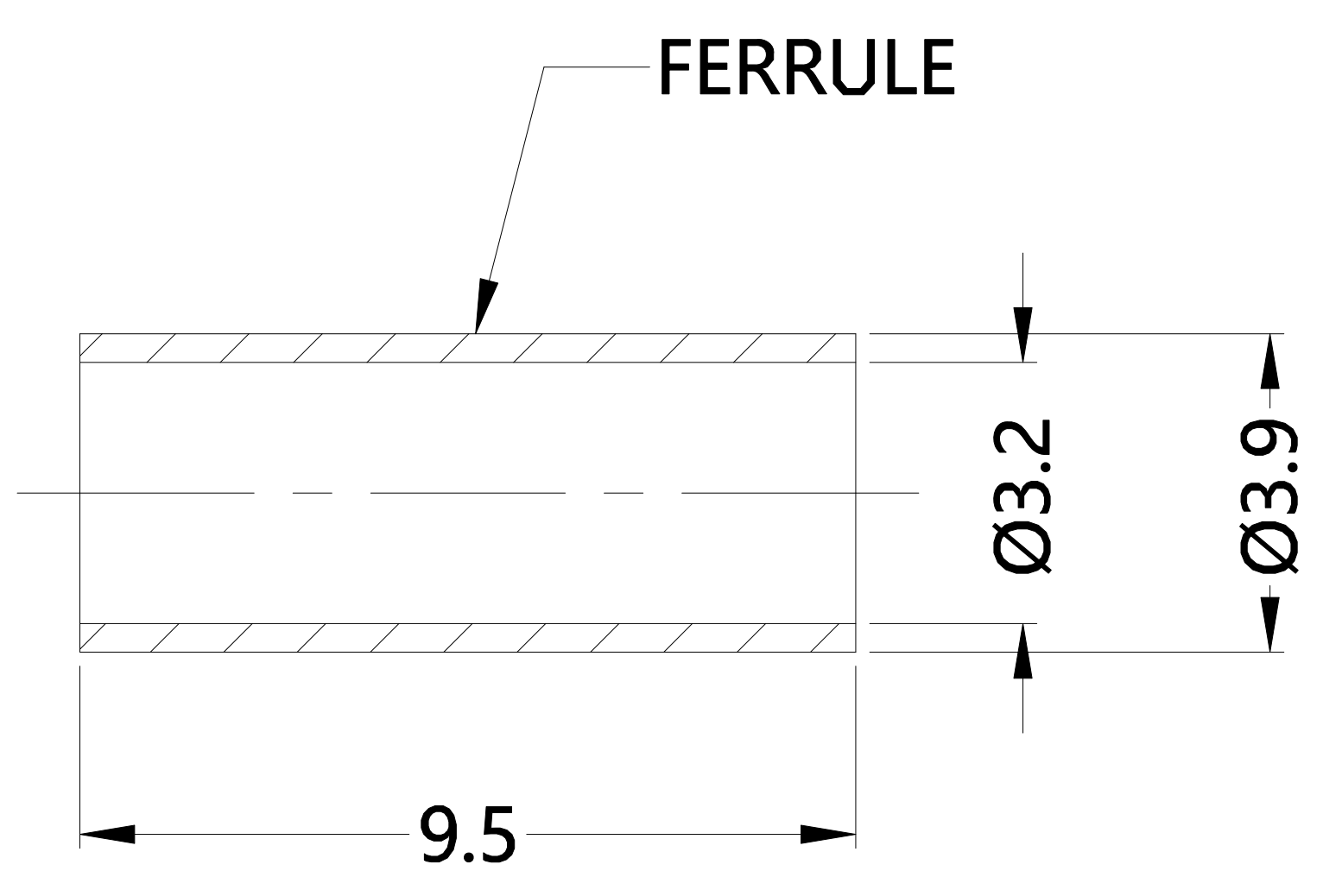
REV.	DESCRIPTION	ECN NO.	NAME	DATE
1	UPDATE THE DRAWING	N/A	Fang	2019-07-15
2	NEW FRAME	N/A	JASON	2021-02-26



ALL PARTS MUST MEET TO RoHS REQUIREMENTS



REMARKS:  
1.CONTACT PIN TO SOLDER.  
2.CRIMP FERRULE FOR .130" HEX.



RECOMMENDED CABLE STRIPPING DIM'S

MATERIALS AND PLATING		UNIT: MICRO-INCHES
PART NAME	MATERIALS	PLATING
BODY/SHELL	BRASS C3604	GOLD 3 u"/NICKEL/COPPER
CONTACT PIN	BRASS C3604	GOLD 10 u"/COPPER
INSULATOR	PTFE ASTM-D-1710	N/A
COVER	BRASS C3604	GOLD 3 u"/NICKEL/COPPER
FERRULE	BRASS	GOLD 3 u"/NICKEL/COPPER

ELECTRICAL CHARACTERISTICS	
IMPEDANCE	50 Ω
VOLTAGE RATING	335 V(rms)
FREQUENCY RANGE	DC ~ 3 GHz
DIELECTRIC WITHSTANDING VOLTAGE	>500 V
CONTACT RESISTANCE	CENTER CONTACT <3.0 mΩ
	OUTER CONTACT <2.0 mΩ
INSULATION RESISTANCE	>5000 MΩ
INSERTION LOSS	N/A
VSWR	<1.30

MECHANICAL CHARACTERISTICS	
FORCE TO ENGAGE AND DISENGAGE	N/A
CENTER CONTACT RETENTION FORCE	> 6 lbs
RECOMMENDED COUPLING TORQUE	7-10 in.lbs
COUPLING NUT RETENTION FORCE	> 60 lbs
DURABILITY	> 500 cycles

ENVIRONMENTAL PARAMETER	
TEMPERATURE RANGE	-40 °C ~ +165 °C
RELATIVE HUMIDITY	MIL- STD 202, Method 106
THERMAL SHOCK	US MIL-STD 202, Meth. 107, Cond B
VIBRATION	US MIL-STD 202, Meth. 204, Cond D
SHOCK	US MIL-STD 202, Meth. 213, Cond I

\* CUSTOMER OUTLINE DRAWING

UNLESS OTHERWISE SPECIFIED:  
1) EDGES : C0.15 MAX ;  
2) REMOVE ALL BURRS ;  
3) SURFACE ROUGHNESS : Ra1.6 ;  
4) UNITS : mm ;  
5) DIMENSIONS TOLERANCES  
DECIMALS : .x ±0.3 .xx ±0.2 .xxx±0.1 ;  
ANGLES : ± 5°.

THIRD ANGLE PROJECTION	
APPROVED :	CUSTOMER P/N :
CHECKED :	SCALE :
DRAWING :	DATE :
JASON	2021-02-26
	PAGE : 1/1

TITLE : SMA MALE R/A CRIMP FOR RG316 CABLE, 50Ω  
DRAWING NO. : 5MAM11R-A02-009  
COMPANY WEBSITE : www.slkcorp.com

CUSTOMER OUTLINE DRAWING