
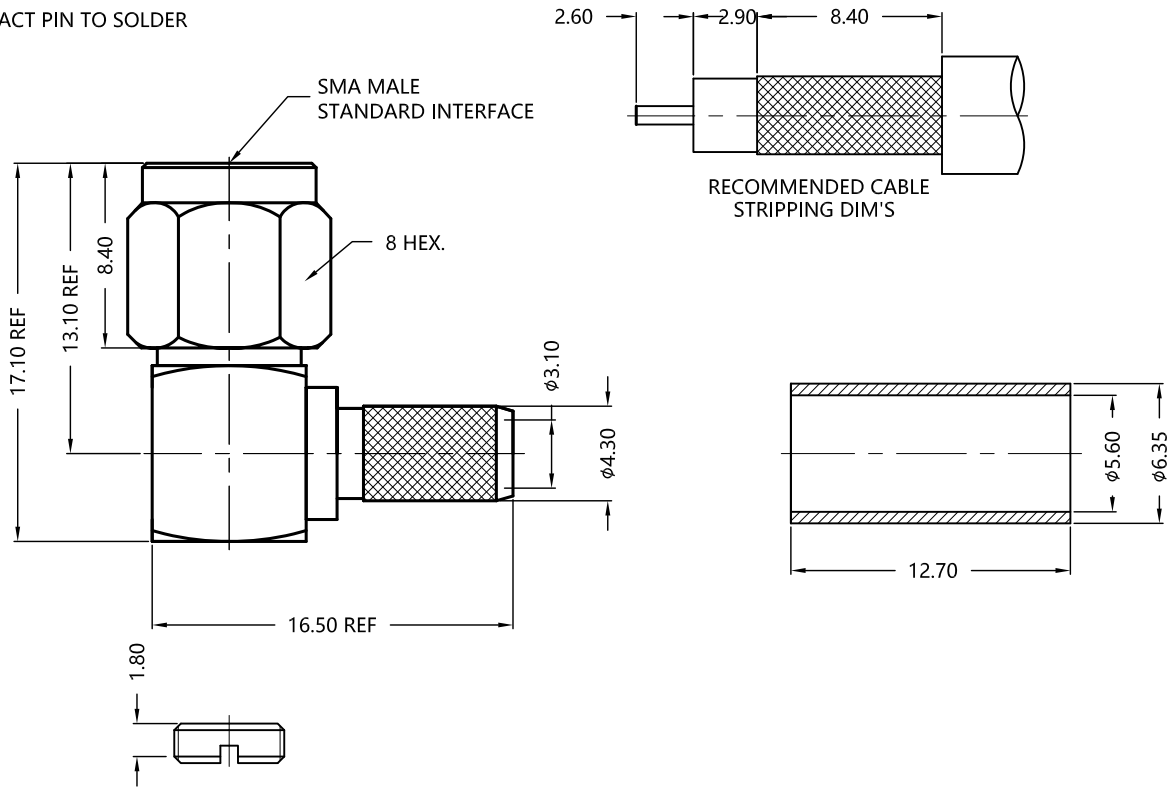


REV.	DESCRIPTION	ECN NO.	NAME	DATE	 ALL PARTS MUST MEET TO RoHS REQUIREMENTS
0	FIRST EDITION	N/A	PY	2020-06-20	

1. CRIMPED FERRULE HEX. THE CRIMPED SIZE .217"
2. CONTACT PIN TO SOLDER



MATERIALS AND PLATING		UNIT: MICRO-INCHES
PART NAME	MATERIALS	PLATING
BODY/SHELL	BRASS C3604	GOLD 1u"/NICKEL/COPPER
INSULATOR	PTFE ASTM-D-1710	N/A
CONTACT PIN	BRASS C3604	GOLD 5u"/NICKEL/COPPER
GASKET	SILICONE	RED
RING	BERYLLIUM COPPER	N/A
FERRULE	BRASS C3604	GOLD 1u"/NICKEL/COPPER

ELECTRICAL CHARACTERISTICS	
IMPEDANCE	50 $\Omega$
VOLTAGE RATING	335V(rms)
FREQUENCY RANGE	0 ~ 18 GHz
DIELECTRIC WITHSTANDING VOLTAGE	>500 V
CONTACT RESISTANCE	CENTER CONTACT <3.0 m $\Omega$
	OUTER CONTACT <2.0m $\Omega$
INSULATION RESISTANCE	>5000 M $\Omega$
INSERTION LOSS	N/A
VSWR	<1.25 @0-3 GHz
3RD INTERMODULATION	N/A

MECHANICAL CHARACTERISTICS	
FORCE TO ENGAGE AND DISENGAGE	N/A
CENTER CONTACT RETENTION FORCE	>6 lbs
RECOMMENDED COUPLING TORQUE	7~10 in.lbs
COUPLING NUT RETENTION FORCE	>60 lbs
DURABILITY	>500cycles

ENVIRONMENTAL PARAMETER	
TEMPERATURE RANGE	-40 °C~+85 °C
Relative Humidity	MIL-STD-202,Method 106
Vibration	MIL-STD-202,Method 204,Cond D
Shock	MIL-STD-202,Method 213,Cond I
Corrosion	MIL-STD-202,Method 101,Cond B

**\* CUSTOMER OUTLINE DRAWING**

UNLESS OTHERWISE SPECIFIED:  
 1) EDGES : C0.15 MAX ;  
 2) REMOVE ALL BURRS ;  
 3) SURFACE ROUGHNESS : Ra1.6 ;  
 4) UNITS : mm ;  
 5) DIMENSIONS TOLERANCES  
 DECIMALS : .x  $\pm 0.3$  .xx  $\pm 0.2$  .xxx  $\pm 0.1$  ;  
 ANGLES :  $\pm 5^\circ$ .

THIRD ANGLE PROJECTION



APPROVED :

CUSTOMER P/N :

CHECKED :

SCALE :

1 : 1

DRAWING :

DATE : 2020-06-20

PAGE : 1/1



TITLE : SMA MALE R/A FOR RG223, RG142 CABLE, 50  $\Omega$

DRAWING NO. : 5MAM11R-A09-007

COMPANY WEBSITE : www.slkcorp.com

CUSTOMER OUTLINE DRAWING