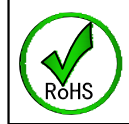


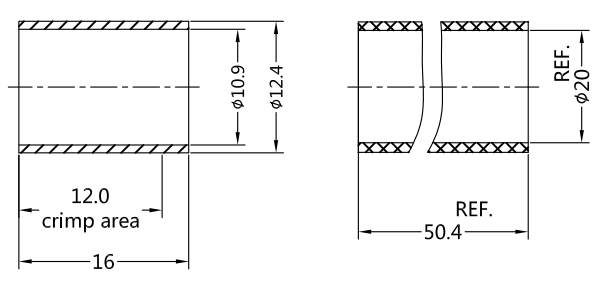
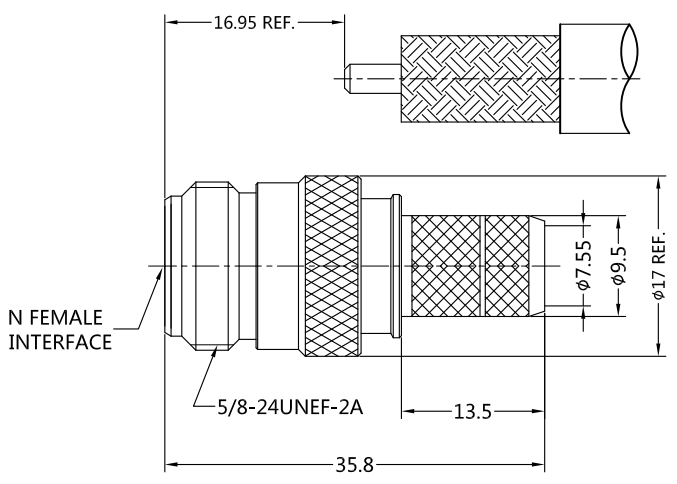
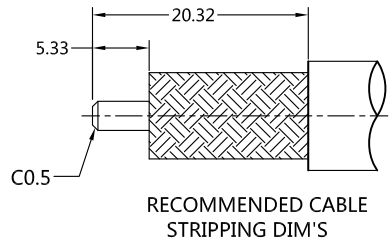
REV.	DESCRIPTION	ECN NO.	NAME	DATE
2	NEW FRAME	N/A	HYH	2020-09-03



ALL PARTS MUST MEET TO RoHS REQUIREMENTS

REMARKS:

- CONTACT PIN TO CAPTIVE
- CRIMPED FERRULE HEX. CRMIP SIZE .429"



MATERIALS AND PLATING		UNIT: MICRO-INCHES
PART NAME	MATERIALS	PLATING
BODY	BRASS	NICKEL PL.150u"/COPPER
CONTACT PIN	PHOSPHOR BRONZE	GOLD PL.15u"/COPPER
INSULATOR	PTFE ASTM-D-1710	N/A

ELECTRICAL CHARACTERISTICS	
IMPEDANCE	50 Ω
VOLTAGE RATING	335 V(rms)
FREQUENCY RANGE	0 ~ 6 GHz
DIELECTRIC WITHSTANDING VOLTAGE	>1000 V
CONTACT RESISTANCE	CENTER CONTACT <2.5 mΩ
	OUTER CONTACT <0.2 mΩ
INSULATION RESISTANCE	>5000 MΩ
INSERTION LOSS	< 0.1X √F(GHz)
RF-LEAKAGE	N/A
VSWR	<1.30
3RD INTERMODULATION	N/A

MECHANICAL CHARACTERISTICS	
FORCE TO ENGAGE AND DISENGAGE	N/A
CENTER CONTACT RETENTION FORCE	N/A
COUPLING PROOF TORQUE	>15 in.lbs
COUPLING NUT RETENTION FORCE	>100 lbs
DURABILITY	>500 cycles

ENVIRONMENTAL PARAMETER	
TEMPERATURE RANGE	-40 °C ~ +125 °C
THERMAL SHOCK	US MIL- STD 202, METH. 107, COND. B
VIBRATION	US MIL- STD 202, METH. 204, COND. B
SHOCK	US MIL- STD 202, METH. 213, COND. I
CLIMATIC CLASS	IEC 60068 65/165/21

* CUSTOMER OUTLINE DRAWING

UNLESS OTHERWISE SPECIFIED:
 1) EDGES : C0.15 MAX ;
 2) REMOVE ALL BURRS ;
 3) SURFACE ROUGHNESS : Ra1.6 ;
 4) UNITS : mm ;
 5) DIMENSIONS TOLERANCES
 DECIMALS : .x ±0.3 .xx ±0.2 .xxx±0.1;
 ANGLES : ± 5°.

THIRD ANGLE PROJECTION	
APPROVED :	CUSTOMER P/N :
CHECKED :	SCALE :
DRAWING :	DATE :
HYH	2020-09-03
PAGE : 1/1	

TITLE : N FEMALE S/T CRIMP FOR LMR-400 CABLE ,50Ω

DRAWING NO. : 5NCF11S-A11-013

COMPANY WEBSITE : www.slkcorp.com

CUSTOMER OUTLINE DRAWING