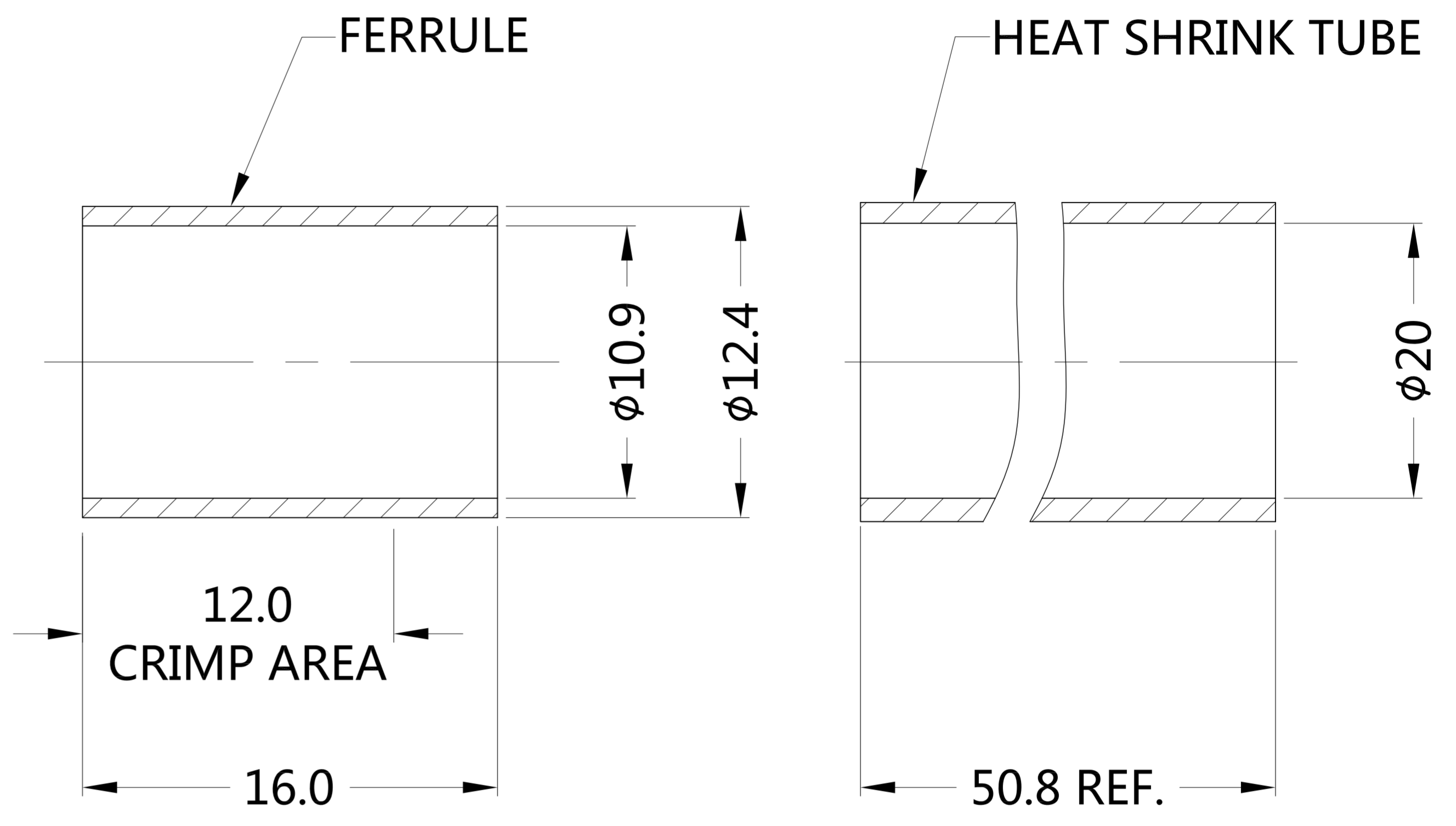
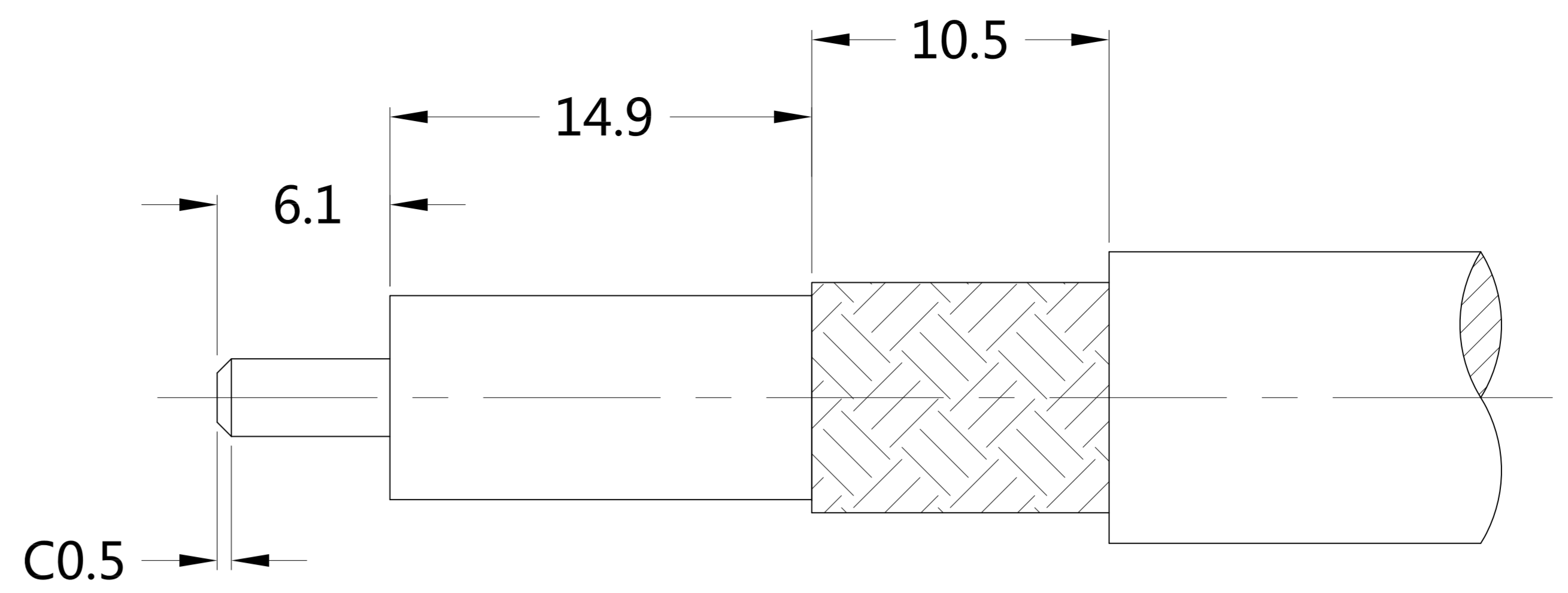
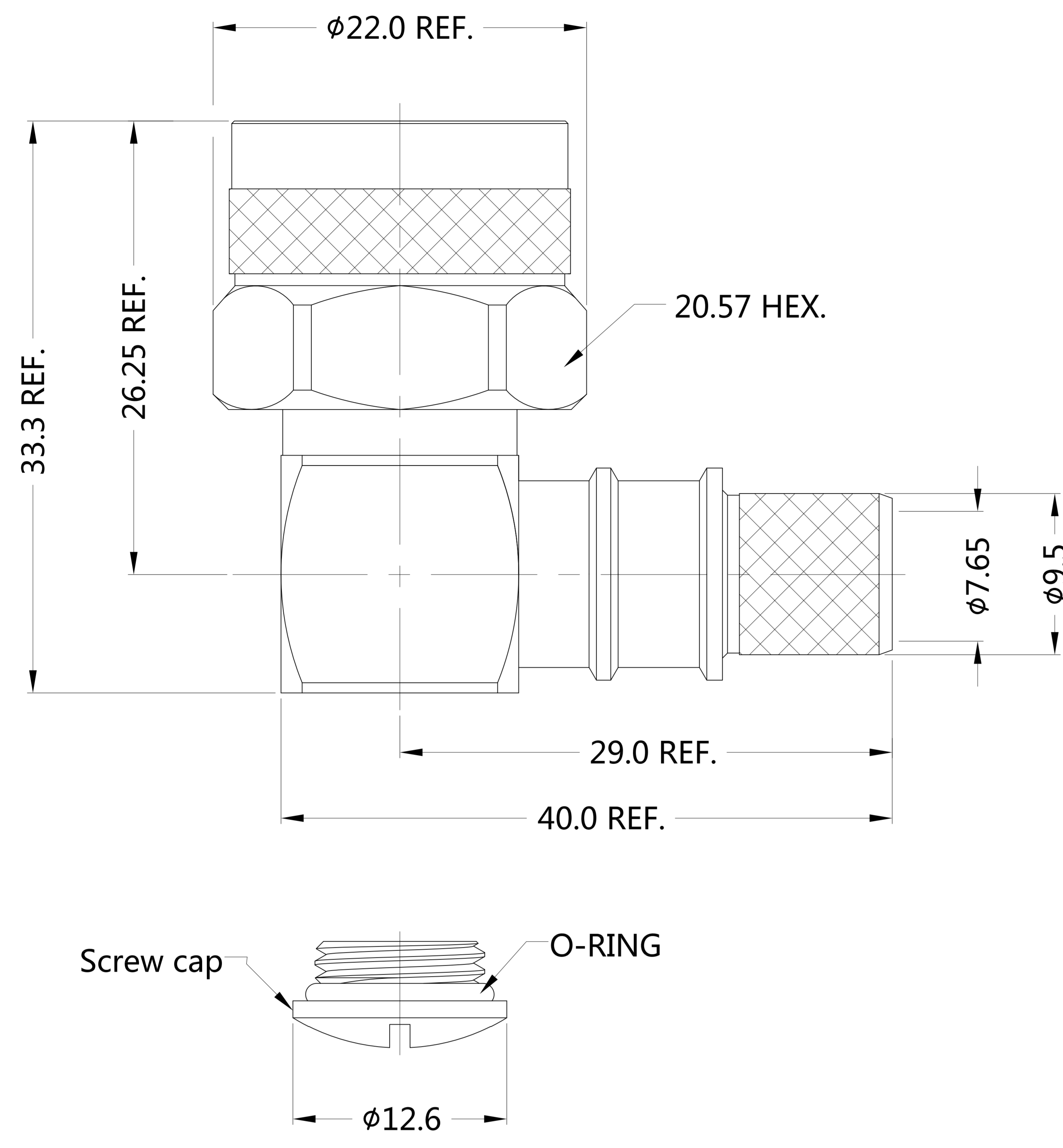


REV.	DESCRIPTION	ECN NO.	NAME	DATE
2	Update The Drawing	N/A	Liu	2019-01-15
3	NEW FRAME	N/A	JASON	2020-06-18



ALL PARTS MUST MEET TO RoHS REQUIREMENTS

REMARKS:
1.CONTACT PIN TO SOLDER
2.CRIMP FERRULE FOR .429" HEX.



MATERIALS AND PLATING		UNIT: MICRO-INCHES
PART NAME	MATERIALS	PLATING
BODY/SHELL	STAINLESS SUS 303Cu	PASSIVATION
CONTACT PIN	BRASS C3604	GOLD 50 u"/COPPER
INSULATOR	PTFE ASTM-D-1710	N/A
FERRULE	COPPER	ALBALOY 80 u"/COPPER

ELECTRICAL CHARACTERISTICS	
IMPEDANCE	50 Ω
VOLTAGE RATING	500 V(rms)
FREQUENCY RANGE	DC ~ 6 GHz
DIELECTRIC WITHSTANDING VOLTAGE	>1000 V
CONTACT RESISTANCE	CENTER CONTACT <1.0 mΩ
	OUTER CONTACT <0.2 mΩ
INSULATION RESISTANCE	>5000 MΩ
INSERTION LOSS	N/A
VSWR	<1.35

MECHANICAL CHARACTERISTICS	
FORCE TO ENGAGE AND DISENGAGE	N/A
CENTER CONTACT RETENTION FORCE	> 6 lbs
RECOMMENDED COUPLING TORQUE	9~14 in.lbs
COUPLING NUT RETENTION FORCE	> 100 lbs
DURABILITY	> 500 cycles

ENVIRONMENTAL PARAMETER	
TEMPERATURE RANGE	-40 °C ~ +125 °C
THERMAL SHOCK	US MIL- STD 202, Meth. 107, Cond. B
VIBRATION	US MIL- STD 202, Meth. 204, Cond. B
SHOCK	US MIL- STD 202, Meth. 213, Cond. I
CLIMATIC CLASS	IEC 60068 65/165/21

* CUSTOMER OUTLINE DRAWING

UNLESS OTHERWISE SPECIFIED:
1) EDGES : C0.15 MAX ;
2) REMOVE ALL BURRS ;
3) SURFACE ROUGHNESS : Ra1.6 ;
4) UNITS : mm ;
5) DIMENSIONS TOLERANCES
DECIMALS : .x ±0.3 .xx ±0.2 .xxx±0.1 ;
ANGLES : ± 5°.

THIRD ANGLE PROJECTION	
APPROVED :	CUSTOMER P/N :
CHECKED :	SCALE :
DRAWING : JASON	DATE : 2020-06-18
	PAGE : 1/1

SLK
SUPERLINK

TITLE : N MALE R/A CRIMP FOR LMR-400 CABLE, 50Ω

DRAWING NO. : 5NCM11R-A11-022

COMPANY WEBSITE : www.slkcorp.com

CUSTOMER OUTLINE DRAWING