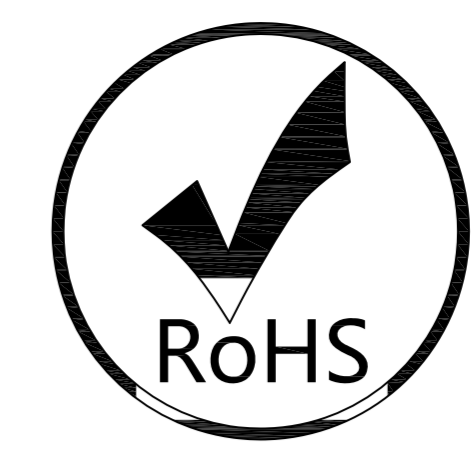
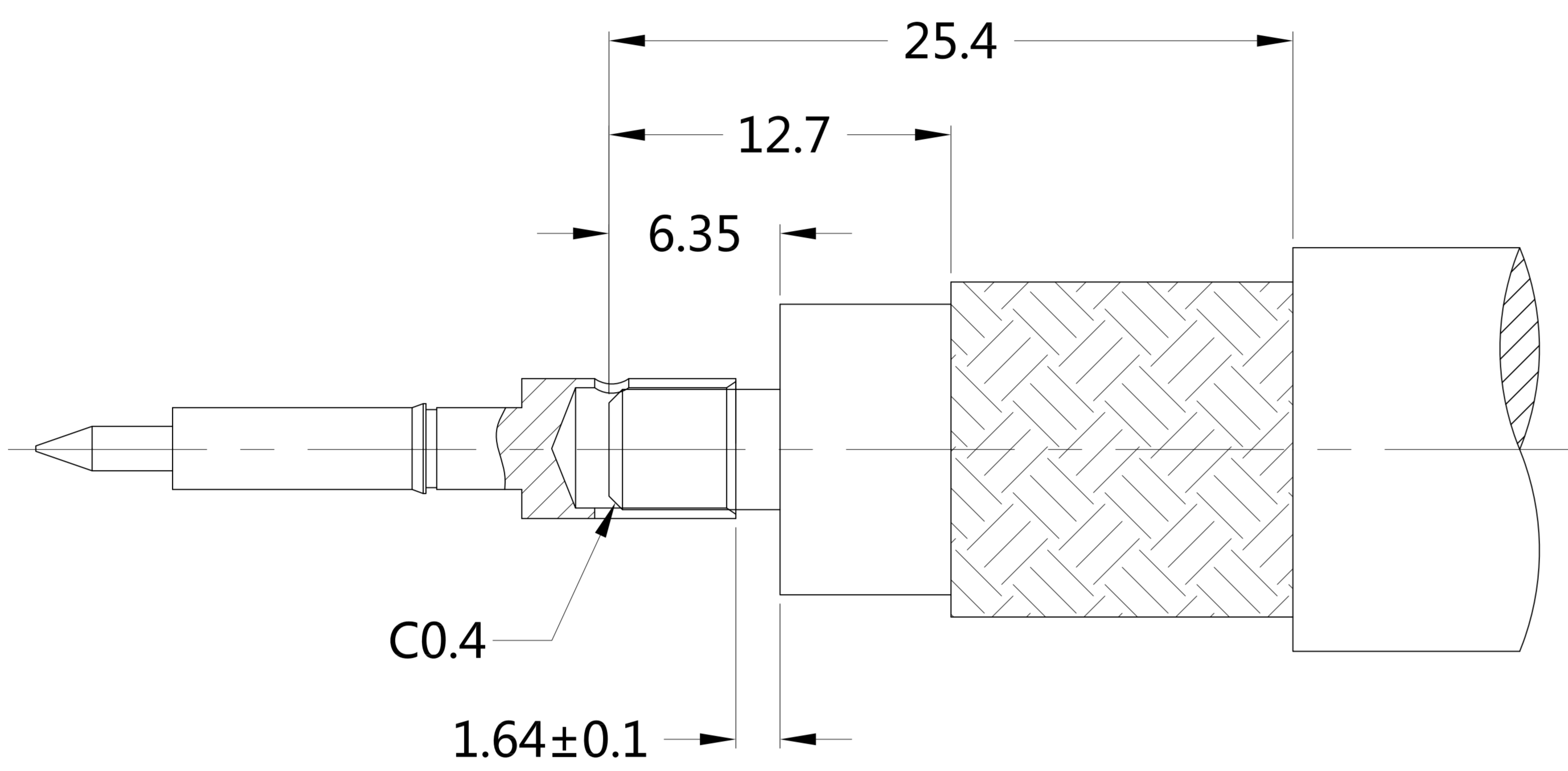
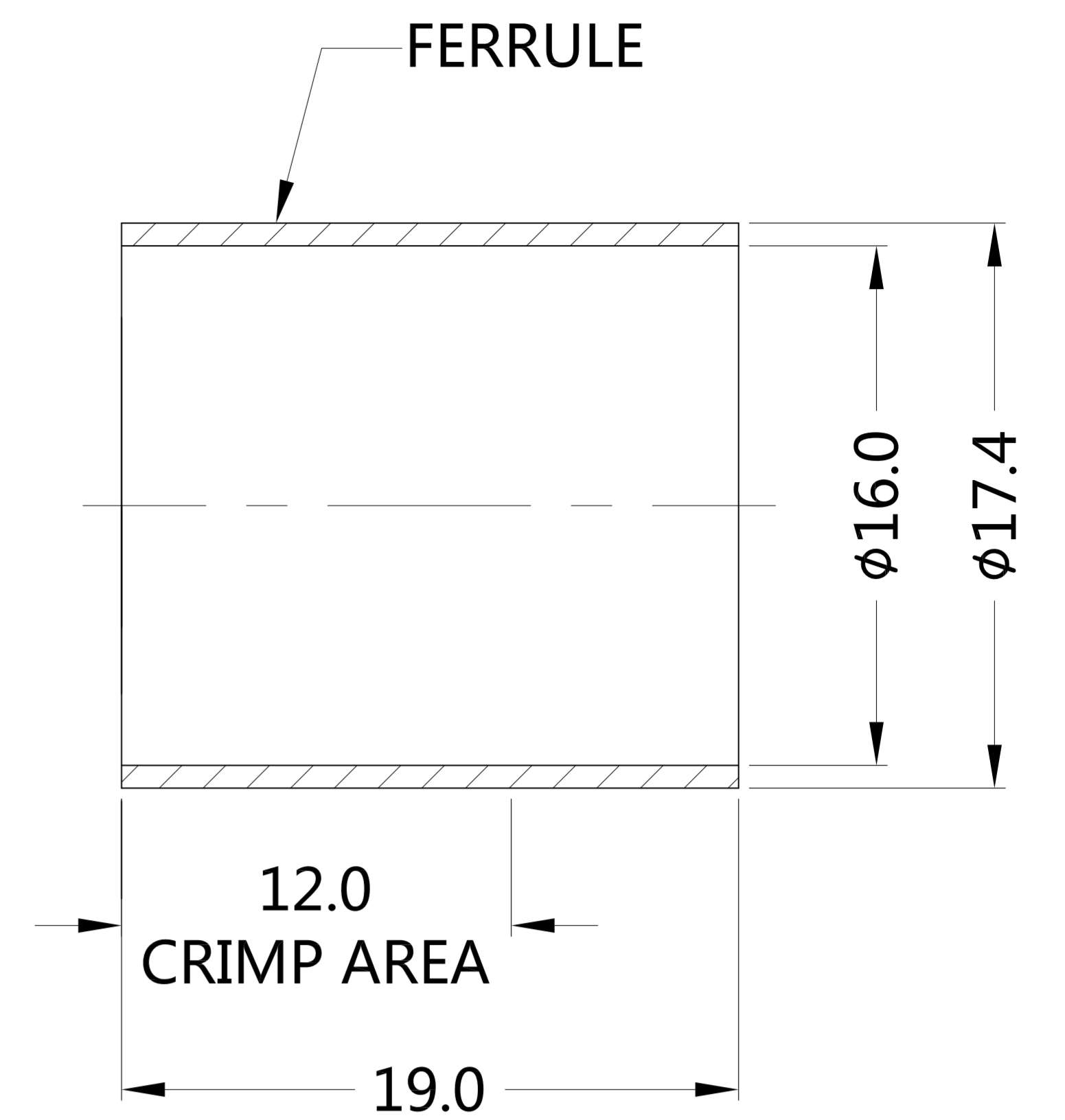
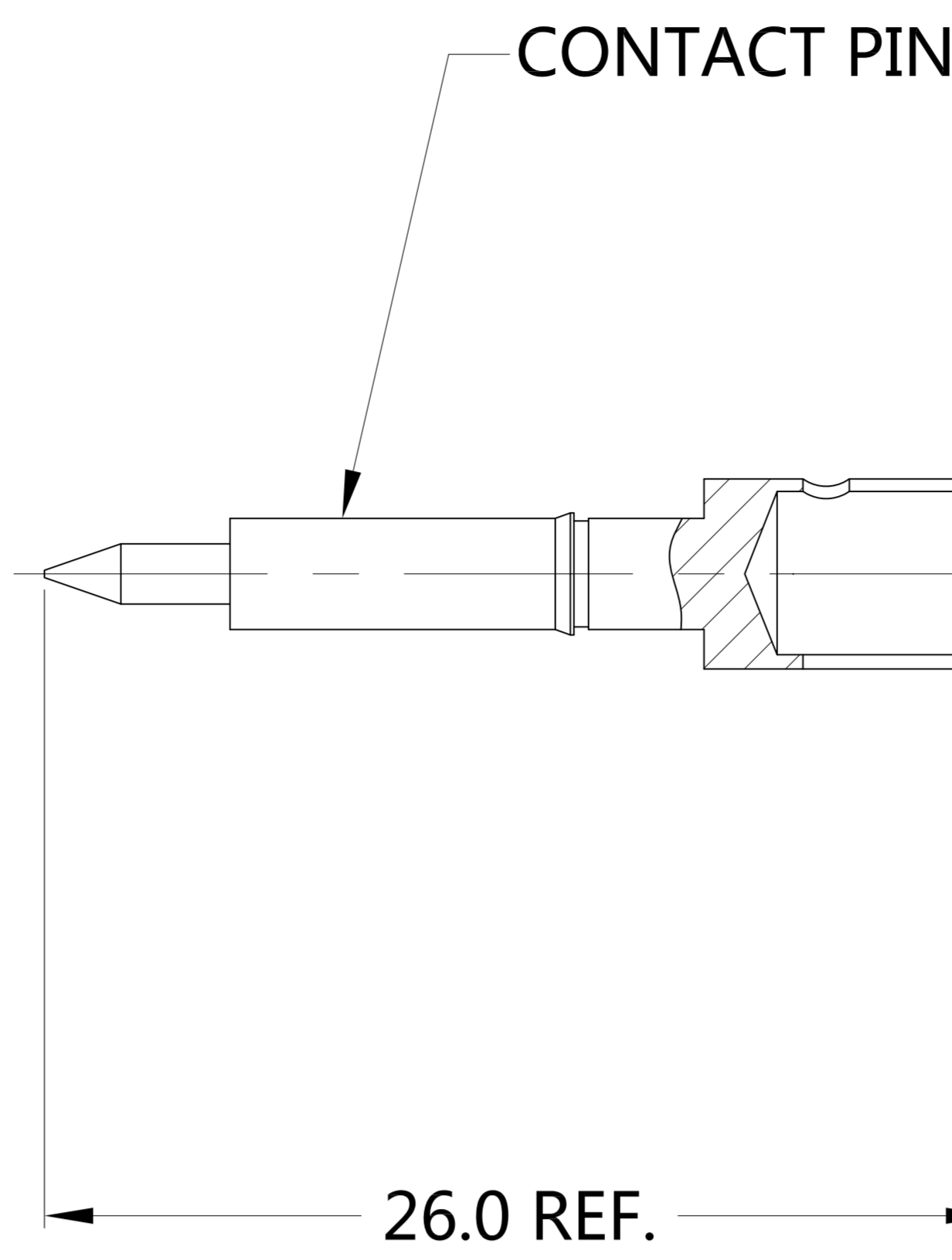
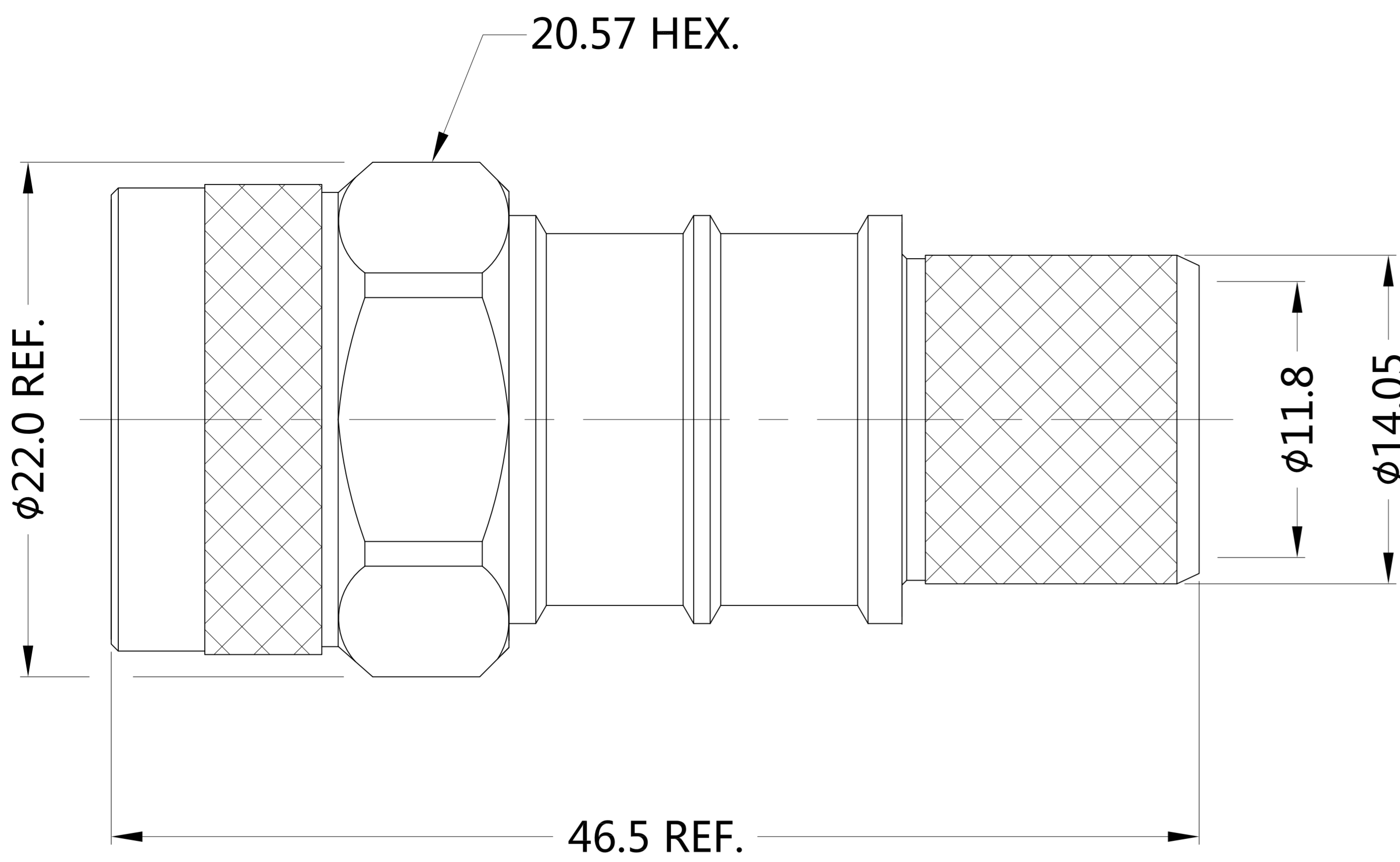


REV.	DESCRIPTION	ECN NO.	NAME	DATE
1	ADD INSTRUCTION	N/A	YAN	2014-06-23
2	NEW FRAME	N/A	JASON	2020-07-02

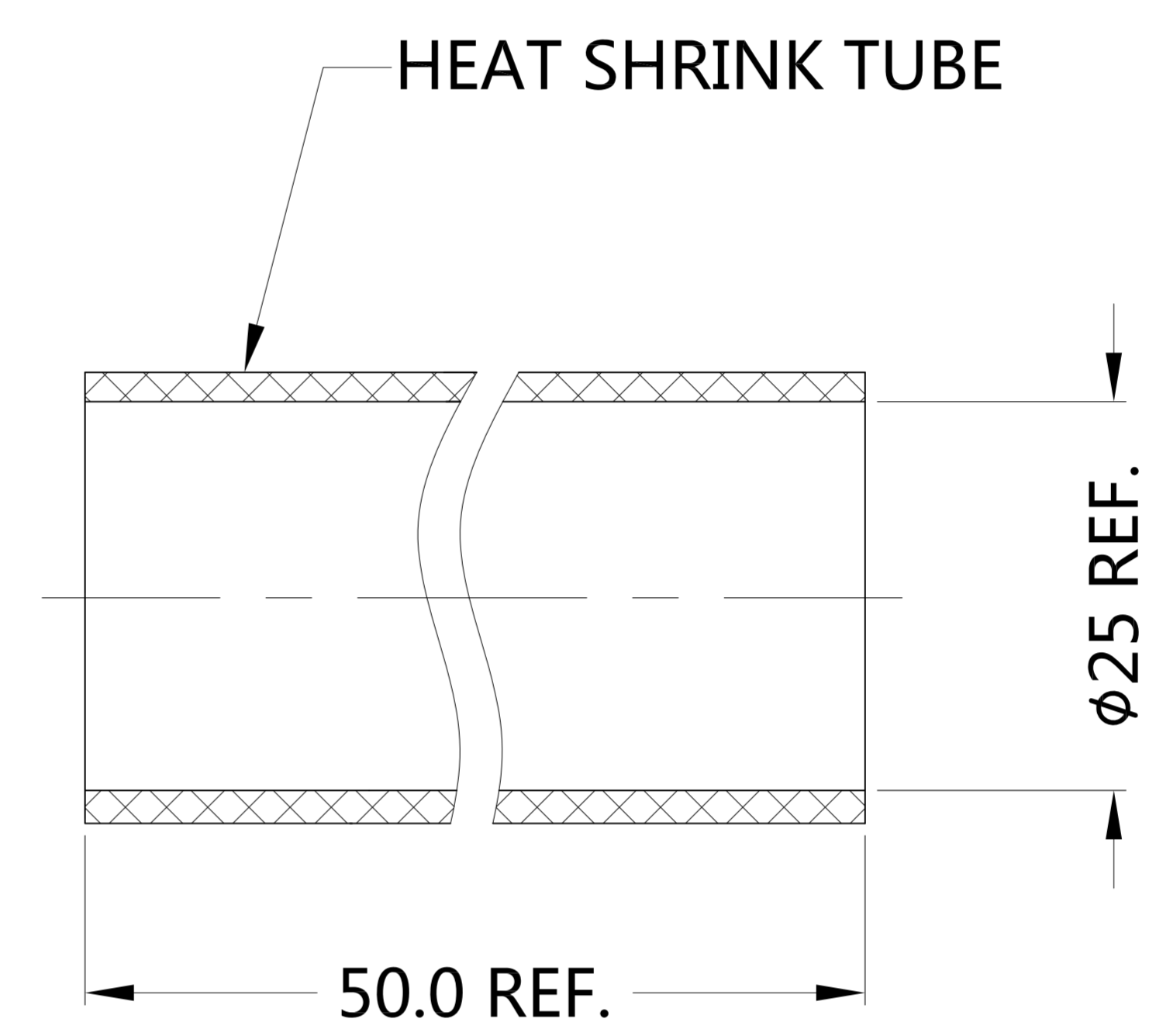
REMARKS:
1.CONTACT PIN TO SOLDER
2.CRIMP FERRULE FOR .610" HEX.



ALL PARTS MUST MEET TO RoHS REQUIREMENTS



RECOMMENDED CABLE STRIPPING DIM'S



MATERIALS AND PLATING		UNIT: MICRO-INCHES
PART NAME	MATERIALS	PLATING
BODY/SHELL	BRASS C3604	NICKEL 200 u"/COPPER
CONTACT PIN	BRASS C3604	GOLD 5 u"/NICKEL/COPPER
INSULATOR	TEFLON MIL-P-19468	N/A
FERRULE	BRASS	NICKEL 200 u"/COPPER

ELECTRICAL CHARACTERISTICS		
IMPEDANCE	50 Ω	
VOLTAGE RATING	500 V(rms)	
FREQUENCY RANGE	DC ~ 6 GHz	
DIELECTRIC WITHSTANDING VOLTAGE	>1000 V	
CONTACT RESISTANCE	CENTER CONTACT	<1.0 mΩ
	OUTER CONTACT	<0.2 mΩ
INSULATION RESISTANCE	>5000 MΩ	
INSERTION LOSS	ACCORDING TO THE CABLE	
VSWR	<1.35	

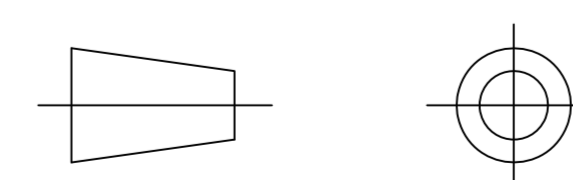
MECHANICAL CHARACTERISTICS	
FORCE TO ENGAGE AND DISENGAGE	N/A
CENTER CONTACT RETENTION FORCE	> 6 lbs
RECOMMENDED COUPLING TORQUE	9~14 in.lbs
COUPLING NUT RETENTION FORCE	> 100 lbs
DURABILITY	> 500 cycles

ENVIRONMENTAL PARAMETER	
TEMPERATURE RANGE	-40 °C ~ +125 °C
THERMAL SHOCK	US MIL- STD 202, Meth. 107, Cond. B
VIBRATION	US MIL- STD 202, Meth. 204, Cond. B
SHOCK	US MIL- STD 202, Meth. 213, Cond. I

* CUSTOMER OUTLINE DRAWING

UNLESS OTHERWISE SPECIFIED:
1) EDGES : C0.15 MAX ;
2) REMOVE ALL BURRS ;
3) SURFACE ROUGHNESS : Ra1.6 ;
4) UNITS : mm ;
5) DIMENSIONS TOLERANCES
DECIMALS : .x ±0.3 .xx ±0.2 .xxx±0.1 ;
ANGLES : ± 5°.

THIRD ANGLE PROJECTION



APPROVED :
CHECKED :
DRAWING : JASON

CUSTOMER P/N :
SCALE : 1 : 1
DATE : 2020-07-02
PAGE : 1/1



TITLE : N MALE S/T CRIMP FOR LMR-600 CABLE, 50Ω
DRAWING NO. : 5NCM11S-A22-020
COMPANY WEBSITE : www.slkcorp.com

CUSTOMER OUTLINE DRAWING