
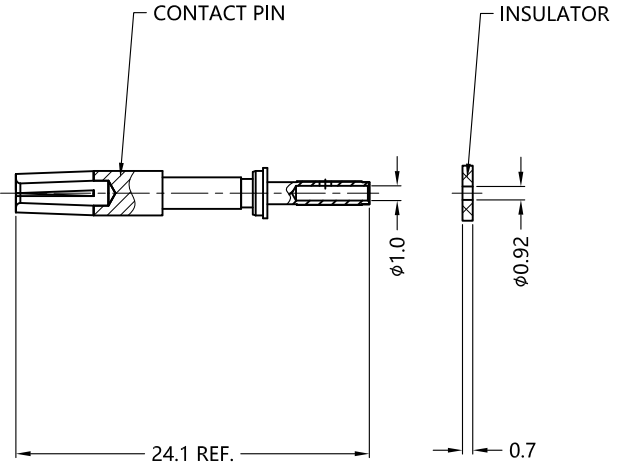
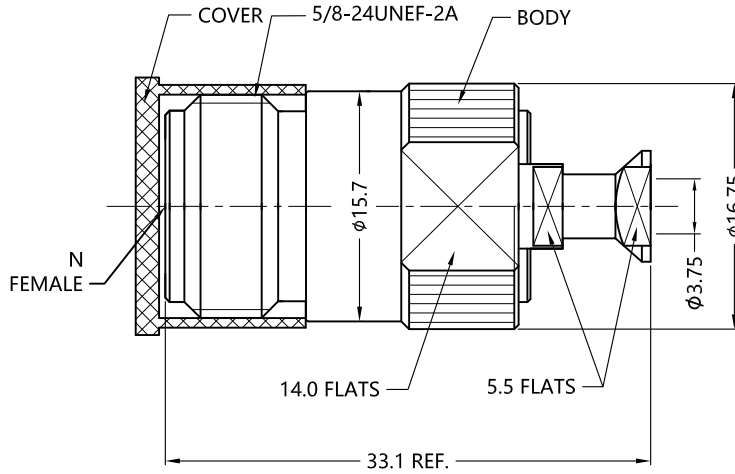
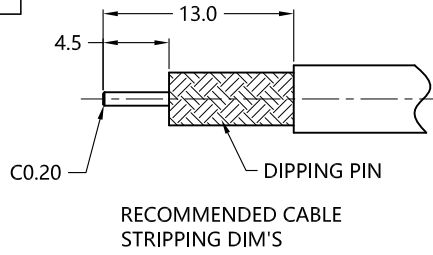


REV.	DESCRIPTION	ECN NO.	NAME	DATE	 ALL PARTS MUST MEET TO RoHS REQUIREMENTS
0	FIRST EDITION	N/A	SK	2014-11-28	
1	NEW FRAME	N/A	HRWEI	2020-07-14	

**NON-MAGNETIC**

NOTES:  
 1.CONTACT PIN TO SOLDER  
 2.ADDS SIZE: 24.3mm



MATERIALS AND PLATING		UNIT: MICRO-INCHES
PART NAME	MATERIALS	PLATING
BARREL,BODY	NON-MAGNETIC BRASS	ALBALOY 120 u"/Cu/COPPER
INSULATOR	PTFE ASTM-D-1710	N/A
CONTACT PIN	NON-MAGNETIC TIN BRONZE	SILVER 200 u"/COPPER
COVER	PE	WHITE

ELECTRICAL CHARACTERISTICS	
IMPEDANCE	50 Ω
VOLTAGE RATING	335 V(rms)
FREQUENCY RANGE	0 ~ 6 GHz
DIELECTRIC WITHSTANDING VOLTAGE	>1000 V
CONTACT RESISTANCE	CENTER CONTACT
	OUTER CONTACT
INSULATION RESISTANCE	>5000 MΩ
INSERTION LOSS	<0.1X√f GHz dB
VSWR	<1.30
3RD INTERMODULATION	-160dBc@900MHz/ 1800MHz 2x43dBm

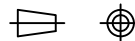
MECHANICAL CHARACTERISTICS	
FORCE TO ENGAGE AND DISENGAGE	N/A
CENTER CONTACT RETENTION FORCE	N/A
RECOMMENDED COUPLING TORQUE	N/A
COUPLING NUT RETENTION FORCE	N/A
DURABILITY	>500 cycles

ENVIRONMENTAL PARAMETER	
TEMPERATURE RANGE	-40 °C ~ +125 °C

**\* CUSTOMER OUTLINE DRAWING**

UNLESS OTHERWISE SPECIFIED:  
 1) EDGES : C0.15 MAX ;  
 2) REMOVE ALL BURRS ;  
 3) SURFACE ROUGHNESS : Ra1.6 ;  
 4) UNITS : mm ;  
 5) DIMENSIONS TOLERANCES  
 DECIMALS : .x ±0.3 .xx ±0.2 .xxx±0.1;  
 ANGLES : ± 5°.

THIRD ANGLE PROJECTION



APPROVED :

CUSTOMER P/N :

CHECKED :

SCALE :

3 : 1

DRAWING :

DATE : 2020-07-14

PAGE : 1/1



TITLE : N FEMALE S/T SOLDER FOR .141 CABLE,50Ω

DRAWING NO. :

NM-5NCF15S-S02-041

COMPANY WEBSITE : www.slkcorp.com

CUSTOMER OUTLINE DRAWING