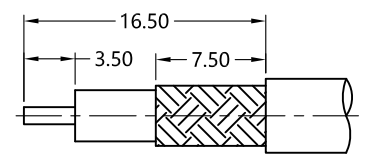


REV.	DESCRIPTION	ECN NO.	NAME	DATE
0	FIRST EDITION	N/A	Kevin.Li	2021-05-28
1	UPDATE DRAWING	N/A	Kevin.Li	2021-06-04
2	UPDATE DRAWING	N/A	Kevin.Li	2021-06-16

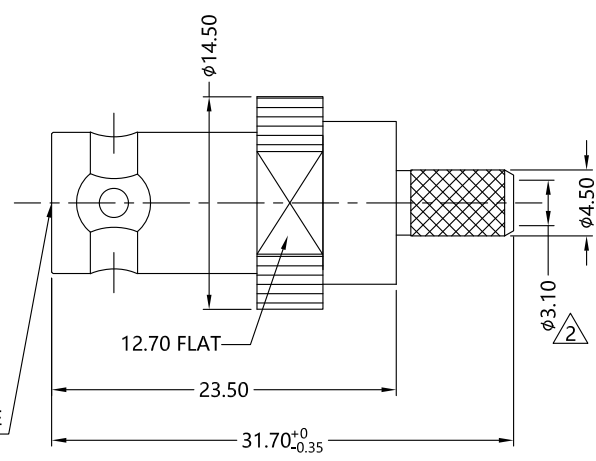


ALL PARTS MUST MEET TO RoHS REQUIREMENTS

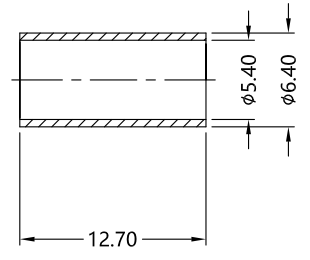
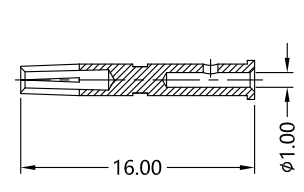
- REMARKS:
1. CRIMP CONTACT PIN FOR .071" HEX
 2. CRIMP FERRULE FOR .216" HEX
 3. THE PLATING THICKNESS IS MINIMUM



RECOMMENDED CABLE STRIPPING DIM'S



50Ω BNC FEMALE INTERFACE



MATERIALS AND PLATING		UNIT: MICRO-INCHES
PART NAME	MATERIALS	PLATING
BODY	BRASS	NICKEL 100u"/COPPER
INSULATOR	PTFE	N/A
CONTACT PIN	PHOSPHOR BRONZE	GOLD 3u"/NICKEL 100u"/COPPER

ELECTRICAL CHARACTERISTICS	
IMPEDANCE	50 Ω
VOLTAGE RATING	500 V(rms)
FREQUENCY RANGE	0 ~ 4 GHz
DIELECTRIC WITHSTANDING VOLTAGE	>1500 V
CONTACT RESISTANCE	CENTER CONTACT
	OUTER CONTACT
INSULATION RESISTANCE	>5000 MΩ
INSERTION LOSS	0.20 dB max
VSWR	< 1.3
3RD INTERMODULATION	N/A

MECHANICAL CHARACTERISTICS	
FORCE TO ENGAGE AND DISENGAGE	N/A
CENTER CONTACT RETENTION FORCE	N/A
RECOMMENDED COUPLING TORQUE	N/A
COUPLING NUT RETENTION FORCE	N/A
DURABILITY	> 500cycles
CABLE RETENTION FORCE	170 N min

ENVIRONMENTAL PARAMETER	
TEMPERATURE RANGE	-65 °C~+165 °C
THERMAL SHOCK	MIL- STD 202, Meth. 107,Cond. B
VIBRATION	MIL- STD 202, Meth. 204,Cond. B
SHOCK	MIL- STD 202, Meth. 213,Cond. I

CUSTOMER OUTLINE DRAWING

* CUSTOMER OUTLINE DRAWING

UNLESS OTHERWISE SPECIFIED:
 1) EDGES : C0.15 MAX ;
 2) REMOVE ALL BURRS ;
 3) SURFACE ROUGHNESS : Ra1.6 ;
 4) UNITS : mm ;
 5) DIMENSIONS TOLERANCES
 DECIMALS : .x ±0.2 .xx ±0.1 .xxx±0.05;
 ANGLES : ± 5°.

THIRD ANGLE PROJECTION	
APPROVED :	CUSTOMER P/N : 1-1337441-0
CHECKED :	SCALE : -
DRAWING :	DATE : 2021-06-16
PAGE : 1/1	

TITLE : BNC FEMALE S/T CRIMP FOR RG58 CABLE,50Ω
 DRAWING NO. : 5BNF11S-A259-002
 COMPANY WEBSITE : www.slkcorp.com