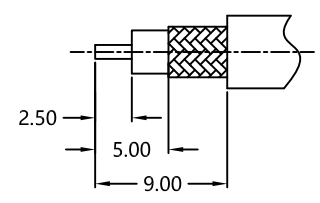


REV.	DESCRIPTION	ECN NO.	NAME	DATE				
1	NEW FRAME	N/A	JING	2020-07-10				

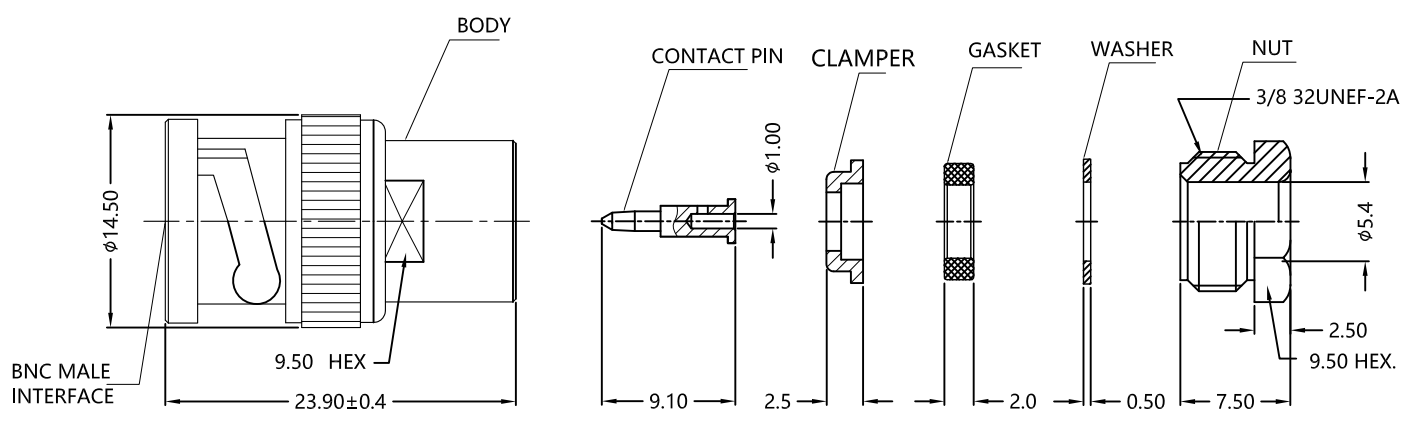


ALL PARTS MUST MEET TO RoHS REQUIREMENTS

REMARK:
1.CONTACT PIN TO SOLDER.



RECOMMENDED CABLE STRIPPING DIM'S



MATERIALS AND PLATING		UNIT: MICRO-INCHES
PART NAME	MATERIALS	PLATING
BODY/SHELL	BRASS C3604	NICKEL 100u" /COPPER
INSULATOR	PTFE ASTM-D-1710	N/A
CONTACT PIN	BRASS C3604	GOLD PL.5u"/NICKEL /COPPER
GASKET	SILICONE	N/A
NUT/WASHER	BRASS C3604	NICKEL 100u" /COPPER
C RING/WASHER	SK5	NICKEL 100u" /COPPER
CLAMPER	BRASS C3604	NICKEL 100u" /COPPER

ELECTRICAL CHARACTERISTICS	
IMPEDANCE	50 Ω
VOLTAGE RATING	500 V(rms)
FREQUENCY RANGE	0 ~ 4 GHz
DIELECTRIC WITHSTANDING VOLTAGE	>1500 V
CONTACT RESISTANCE	CENTER CONTACT <math>< 1.5 \text{ m}\Omega</math>
	OUTER CONTACT <math>< 1.0 \text{ m}\Omega</math>
INSULATION RESISTANCE	>5000 M Ω
INSERTION LOSS	<0.2 dB@0~3 GHz
RF-LEAKAGE	N/A
VSWR	<1.25
3RD INTERMODULATION	N/A

MECHANICAL CHARACTERISTICS	
CABLE RETENTION FORCE	>128 N
CENTER CONTACT RETENTION FORCE	>6 lbs
RECOMMENDED COUPLING TORQUE	N/A
COUPLING NUT RETENTION FORCE	>100 lbs
DURABILITY	>500 cycles

ENVIRONMENTAL PARAMETER	
TEMPERATURE RANGE	-65°C ~ +165 °C

* CUSTOMER OUTLINE DRAWING

UNLESS OTHERWISE SPECIFIED:
 1) EDGES : C0.15 MAX ;
 2) REMOVE ALL BURRS ;
 3) SURFACE ROUGHNESS : Ra1.6 ;
 4) UNITS : mm ;
 5) DIMENSIONS TOLERANCES
 DECIMALS : .x ± 0.3 .xx ± 0.2 .xxx ± 0.1 ;
 ANGLES : $\pm 5^\circ$.

THIRD ANGLE PROJECTION		
APPROVED :	CUSTOMER P/N :	-
CHECKED :	SCALE :	2: 1
DRAWING :	DATE :	2020-07-10
JING	PAGE :	1/1

TITLE : BNC MALE S/T SOLDER FOR RG58 CABLE, 50 Ω

DRAWING NO. : 5BNM14S-A41-005

COMPANY WEBSITE : www.slkcorp.com

CUSTOMER OUTLINE DRAWING