

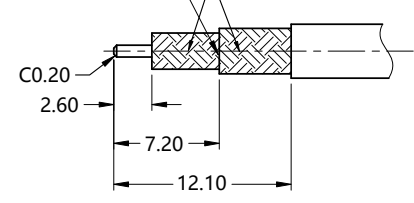
1	2	3	4	5	6
REV	DESCRIPTION	ECN NO	NAME	DATE	
0	FIRST EDITION	N/A	HRWEI	2021-03-18	



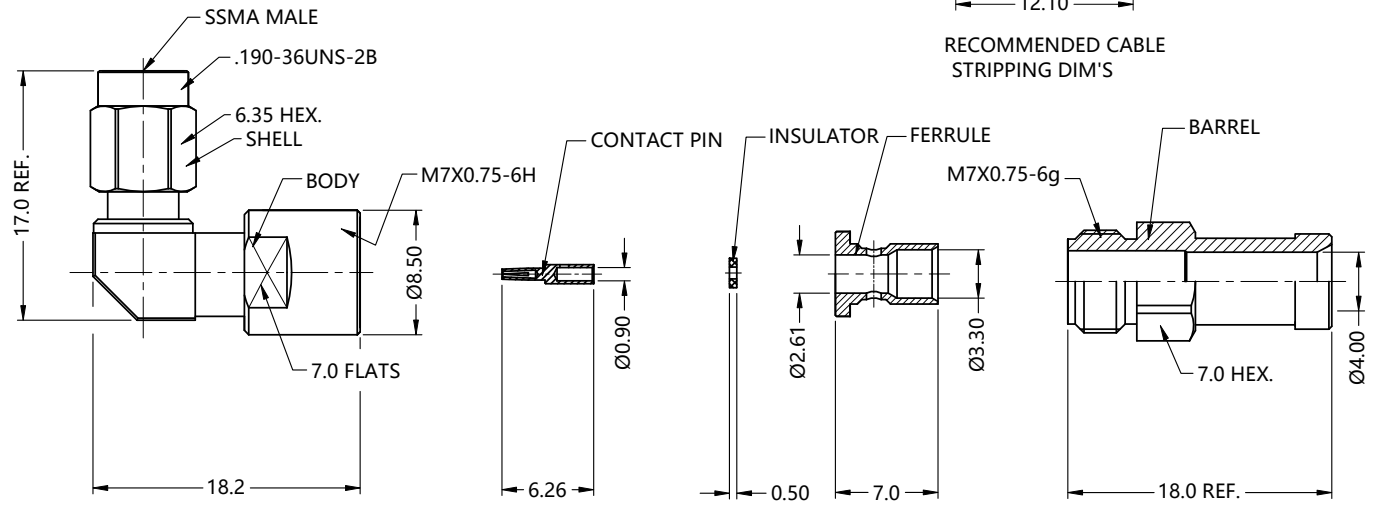
ALL PARTS MUST MEET TO RoHS REQUIREMENTS

REMARKS:
 1. CONTACT PIN AND FERRULE TO SOLDER
 2. ADDS SIZE: 7.0mm

REMOVE THE INTERLAYER DIPPING TIN



RECOMMENDED CABLE STRIPPING DIM'S



MATERIALS AND PLATING		UNIT: MICRO-INCHES
BODY/SHELL	STAINLESS STEEL	PASSIVATION
CONTACT PIN	BRASS C3604	GOLD 50 u"/NICKEL/COPPER
	Be-Cu C17300	GOLD 50 u"/NICKEL/COPPER
INSULATOR	PTFE ASTM-D-1710	N/A
FERRULE	BRASS C3604	GOLD 10 u"/NICKEL/COPPER
BARREL	STAINLESS STEEL	PASSIVATION
GASKET	SILICONE	RED

ELECTRICAL CHARACTERISTICS	
IMPEDANCE	50 Ω
VOLTAGE RATING	N/A
FREQUENCY RANGE	DC~18 GHz
DIELECTRIC WITHSTANDING VOLTAGE	>500 V
CONTACT RESISTANCE	CENTER CONTACT <4.0 mΩ
	OUTER CONTACT <2.0 mΩ
INSULATION RESISTANCE	>5000 MΩ
INSERTION LOSS	<0.1√F dB
VSWR	<1.30
3RD INTERMODULATION	N/A

MECHANICAL CHARACTERISTICS	
FORCE TO ENGAGE AND DISENGAGE	N/A
CENTER CONTACT RETENTION FORCE	>4 lbs
RECOMMENDED COUPLING TORQUE	5.3~7.1 in-lbs
COUPLING NUT RETENTION FORCE	>22.5 lbs
DURABILITY	>500 cycles

ENVIRONMENTAL CHARACTERISTICS	
TEMPERATURE RANGE	-40 °C~+125 °C
THERMAL SHOCK	MIL- STD 202, Meth. 107,Cond. B
VIBRATION	MIL- STD 202, Meth. 204,Cond. D
SHOCK	MIL- STD 202, Meth. 213,Cond. I

* CUSTOMER OUTLINE DRAWING

UNLESS OTHERWISE SPECIFIED:
 1) C0.15 MAX;
 2) REMOVE ALL BURRS;
 3) SURFACE ROUGHNESS : Ra1.6;
 4) UNITS:mm;
 5) DIMENSIONS TOLERANCES
 DECIMALS .x ±0.3 .xx ±0.2 .xxx±0.1
 ANGLES ±5°

THIRD ANGLE PROJECTION	
APPROVED:	CUSTOMER P/N:
CHECKED:	SCALE:
DRAWING:	DATE: 2021-03-18
COMPANY WEBSITE: www.slkcorp.com	

TITLE: SSMA MALE R/A SOLDER FOR PT-150 CABLE,50Ω
 DRAWING NO: 5SAM15R-A520

CUSTOMER OUTLINE DRAWING