

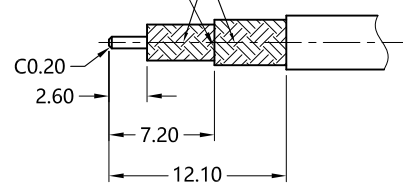
1	2	3	4	5	6
REV	DESCRIPTION	ECN NO	NAME	DATE	
0	FIRST EDITION	N/A	HRWEI	2021-03-11	



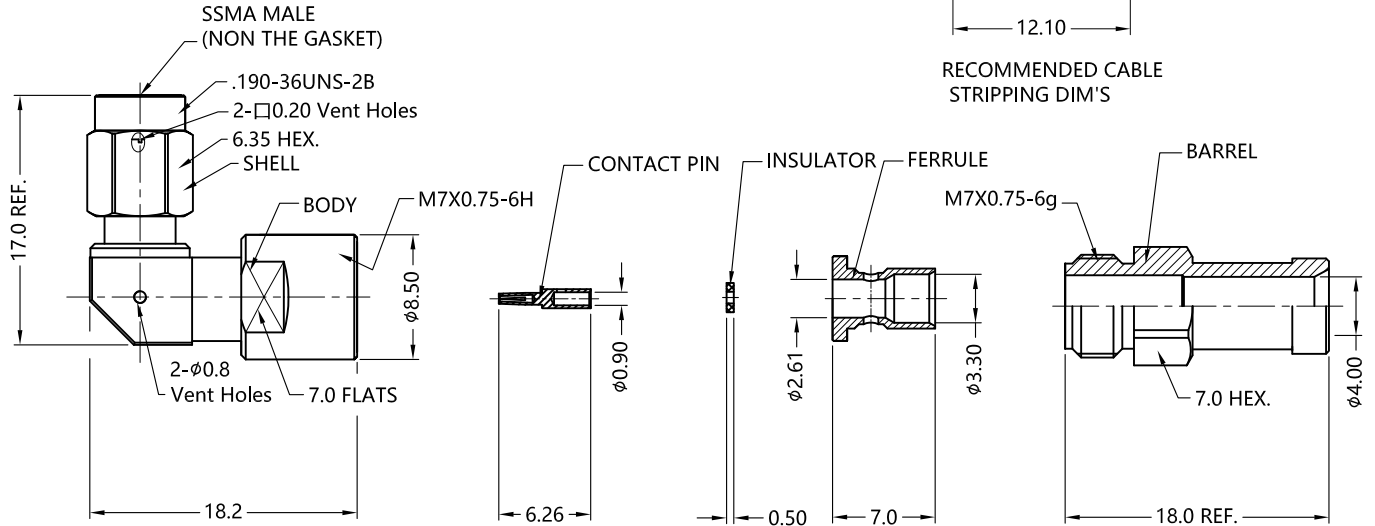
ALL PARTS MUST MEET TO RoHS REQUIREMENTS

REMARKS:
 1. CONTACT PIN AND FERRULE TO SOLDER
 2. ADDS SIZE: 7.0mm

REMOVE THE INTERLAYER DIPPING TIN



RECOMMENDED CABLE STRIPPING DIM'S

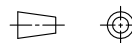


MATERIALS AND PLATING		UNIT: MICRO-INCHES	ELECTRICAL CHARACTERISTICS	
BODY/SHELL	STAINLESS STEEL	PASSIVATION	IMPEDANCE	50 Ω
CONTACT PIN	BRASS C3604	GOLD 50 u"/NICKEL/COPPER	VOLTAGE RATING	N/A
	Be-Cu C17300	GOLD 50 u"/NICKEL/COPPER	FREQUENCY RANGE	DC~18 GHz
INSULATOR	PTFE ASTM-D-1710	N/A	DIELECTRIC WITHSTANDING VOLTAGE	>500 V
FERRULE	BRASS C3604	GOLD 10 u"/NICKEL/COPPER	CONTACT RESISTANCE	CENTER CONTACT <4.0 mΩ
BARREL	STAINLESS STEEL	PASSIVATION		OUTER CONTACT <2.0 mΩ
			INSULATION RESISTANCE	>5000 MΩ
			INSERTION LOSS	<0.1√F dB
			VSWR	<1.30
			3RD INTERMODULATION	N/A
MECHANICAL CHARACTERISTICS			ENVIRONMENTAL CHARACTERISTICS	
FORCE TO ENGAGE AND DISENGAGE		N/A	TEMPERATURE RANGE	-40 °C~+125 °C
CENTER CONTACT RETENTION FORCE		>4 lbs	THERMAL SHOCK	MIL- STD 202, Meth. 107,Cond. B
RECOMMENDED COUPLING TORQUE		5.3~7.1 in-lbs	VIBRATION	MIL- STD 202, Meth. 204,Cond. D
COUPLING NUT RETENTION FORCE		>22.5 lbs	SHOCK	MIL- STD 202, Meth. 213,Cond. I
DURABILITY		>500 cycles		

* CUSTOMER OUTLINE DRAWING

UNLESS OTHERWISE SPECIFIED:
 1) C0.15 MAX;
 2) REMOVE ALL BURRS;
 3) SURFACE ROUGHNESS : Ra1.6;
 4) UNITS:mm;
 5) DIMENSIONS TOLERANCES
 DECIMALS .x ±0.3 .xx ±0.2 .xxx±0.1
 ANGLES ±5°

THIRD ANGLE PROJECTION



APPROVED:

CUSTOMER P/N:

CHECKED:

SCALE:

DRAWING:

DATE: 2021-03-11

COMPANY WEBSITE: www.slkcorp.com



TITLE: SSMA MALE R/A SOLDER FOR PT-150 CABLE,50Ω

DRAWING NO: 5SAM15R-A520-001

CUSTOMER OUTLINE DRAWING