
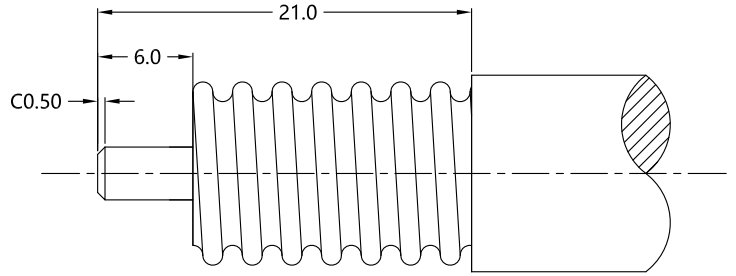
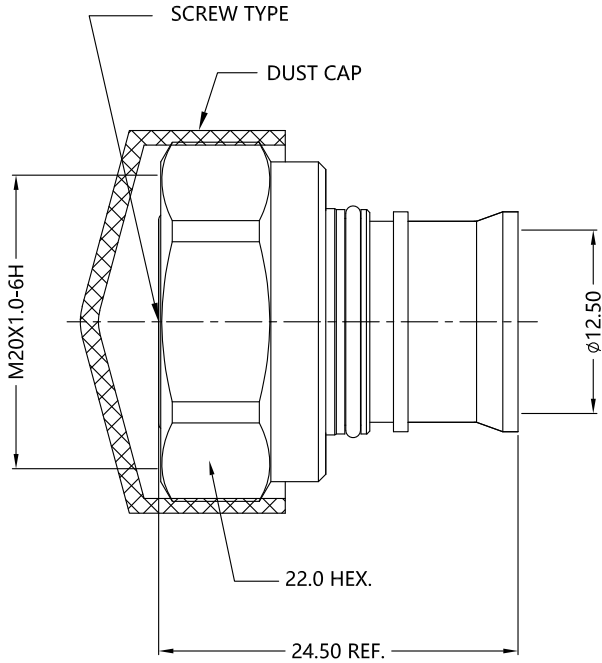
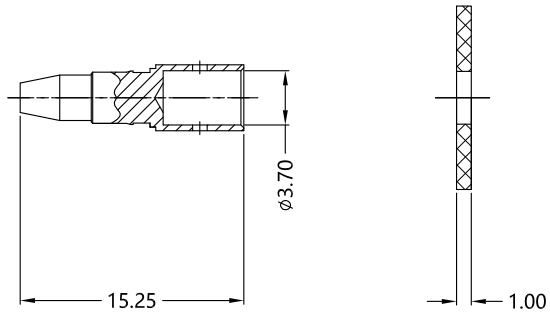


REV.	DESCRIPTION	ECN NO.	NAME	DATE	 ALL PARTS MUST MEET TO RoHS REQUIREMENTS
1	NEW FRAME	N/A	JING	2020-08-20	

REMARKS:  
1. ADDS SIZE:11.0mm  
2. CONTACT PIN TO SOLDER



RECOMMENDED CABLE STRIPPING DIM'S



MATERIALS AND PLATING		UNIT: MICRO-INCHES
PART NAME	MATERIALS	PLATING
BODY	BRASS C3604	ALBALOY 80u"/COPPER
INSULATOR	PTFE ASTM-D-1710	N/A
CONTACT PIN	BRASS	SILVER 200"/COPPER
GASKET	SILICONE	N/A
SHELL	BRASS	NICKEL200 u"/COPPER


ELECTRICAL CHARACTERISTICS	
IMPEDANCE	50 Ω
VOLTAGE RATING	500 V(rms)
FREQUENCY RANGE	0 ~ 6 GHz
DIELECTRIC WITHSTANDING VOLTAGE	>750 V
CONTACT RESISTANCE	CENTER CONTACT
	OUTER CONTACT
INSULATION RESISTANCE	>5000 MΩ
INSERTION LOSS	According to the cable
RF-LEAKAGE	N/A
VSWR	<1.35
3RD INTERMODULATION	≤-155dBc@900MHz&1800MHz@2x43dBm

MECHANICAL CHARACTERISTICS	
FORCE TO ENGAGE AND DISENGAGE	N/A
CENTER CONTACT RETENTION FORCE	N/A
RECOMMENDED COUPLING TORQUE	44 in-lbs
COUPLING NUT RETENTION FORCE	>100 lbs
DURABILITY	>500 cycles

ENVIRONMENTAL PARAMETER	
TEMPERATURE RANGE	-55 °C ~ +125 °C

\* CUSTOMER OUTLINE DRAWING

UNLESS OTHERWISE SPECIFIED:  
1) EDGES : C0.15 MAX ;  
2) REMOVE ALL BURRS ;  
3) SURFACE ROUGHNESS : Ra1.6 ;  
4) UNITS : mm ;  
5) DIMENSIONS TOLERANCES  
DECIMALS : .x ±0.3 .xx ±0.2 .xxx±0.1;  
ANGLES : ± 5°.

THIRD ANGLE PROJECTION		
APPROVED :	CUSTOMER P/N :	
CHECKED :	SCALE :	
DRAWING :	DATE :	
JING	2020-08-20	TITLE : 4.3-10 MALE S/T FOR 1/2" SUPER FLEXIBLE CABLE , 50Ω
	PAGE : 1/1	DRAWING NO. : 5SDM15S-LS12
		COMPANY WEBSITE : www.slkcorp.com

CUSTOMER OUTLINE DRAWING