
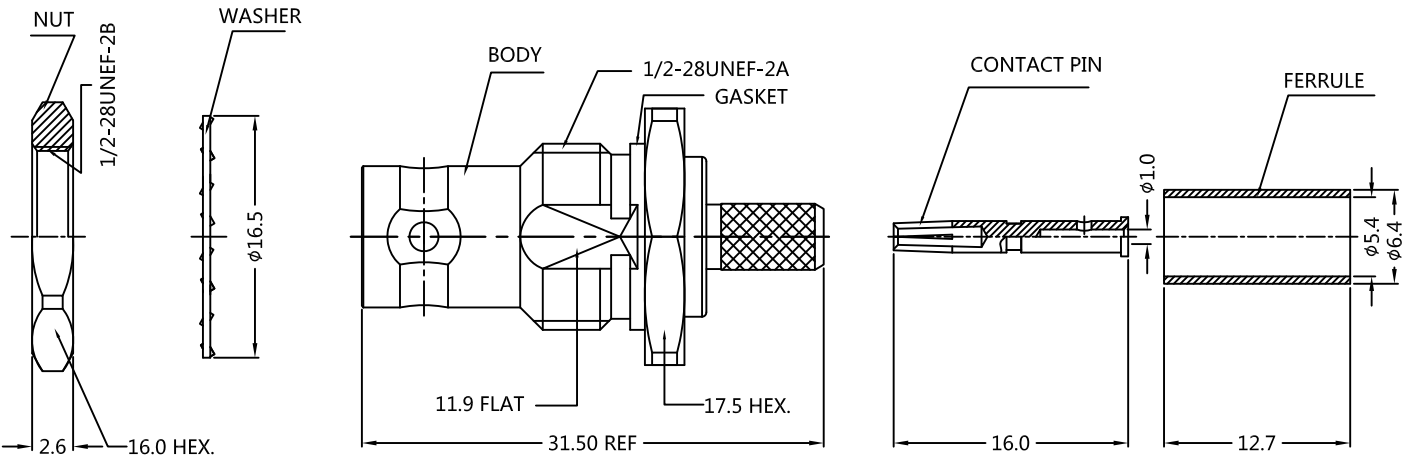
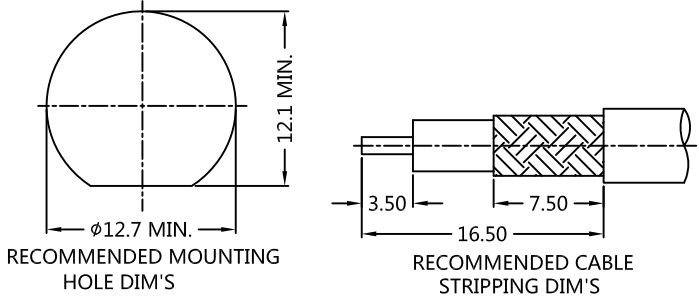


REV.	DESCRIPTION	ECN NO.	NAME	DATE	 ALL PARTS MUST MEET TO RoHS REQUIREMENTS
5	UPDATE THE DRAWING	N/A	YJY	2019-04-17	
6	NEW FRAME	N/A	JING	2020-07-01	

REMARKS:
 1. CRIMP CONTACT PIN FOR .071" HEX.
 2. PANEL THICKNESS: 3.4 MAX.
 3. CRIMP FERRULE FOR .216" HEX.



MATERIALS AND PLATING		UNIT: MICRO-INCHES
PART NAME	MATERIALS	PLATING
BODY	BRASS C3604	SILVER 40u"/COPPER
INSULATOR	PTFE ASTM-D-1710	N/A
CONTACT PIN	PHOSPHOR BRONZE	SILVER 40u"/COPPER
GASKET	SILICONE	N/A
NUT/WASHER	BRASS	SILVER 40u"/COPPER
FERRULE	BRASS	SILVER 40u"/COPPER

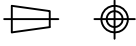
ELECTRICAL CHARACTERISTICS	
IMPEDANCE	50 Ω
VOLTAGE RATING	500 V(rms)
FREQUENCY RANGE	0 ~ 4 GHz
DIELECTRIC WITHSTANDING VOLTAGE	>1000 V
CONTACT RESISTANCE	CENTER CONTACT
	OUTER CONTACT
INSULATION RESISTANCE	>5000 MΩ
INSERTION LOSS	According as the cable
RF-LEAKAGE	N/A
VSWR	<1.30
3RD INTERMODULATION	N/A

MECHANICAL CHARACTERISTICS	
FORCE TO ENGAGE AND DISENGAGE	N/A
CENTER CONTACT RETENTION FORCE	>6 lbs
RECOMMENDED COUPLING TORQUE	N/A
COUPLING NUT RETENTION FORCE	N/A
DURABILITY	>500 cycles

ENVIRONMENTAL PARAMETER	
TEMPERATURE RANGE	-65 °C~+165 °C
CORROSION	MIL-STD-202, Meth, 101,Cond B
VIBRATION	MIL- STD 202, Meth. 204,Cond. B
SHOCK	MIL- STD 202, Meth. 213,Cond. G

*** CUSTOMER OUTLINE DRAWING**

UNLESS OTHERWISE SPECIFIED:
 1) EDGES : C0.15 MAX ;
 2) REMOVE ALL BURRS ;
 3) SURFACE ROUGHNESS : Ra1.6 ;
 4) UNITS : mm ;
 5) DIMENSIONS TOLERANCES
 DECIMALS : .x ±0.3 .xx ±0.2 .xxx±0.1;
 ANGLES : ± 5°.

THIRD ANGLE PROJECTION		
APPROVED :	CUSTOMER P/N :	
CHECKED :	SCALE :	2 : 1
DRAWING :	DATE :	2020-07-01
JING	PAGE :	1/1


 TITLE : BNC FEMALE S/T CRIMP FOR RG58/U CABLE 50 OHM
 DRAWING NO. : 5BNF35S-A41-001
 COMPANY WEBSITE : www.slkcorp.com

CUSTOMER OUTLINE DRAWING