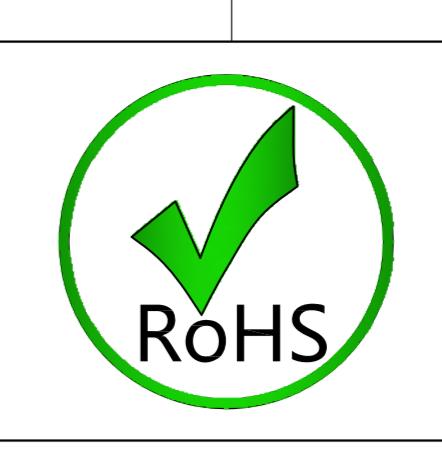
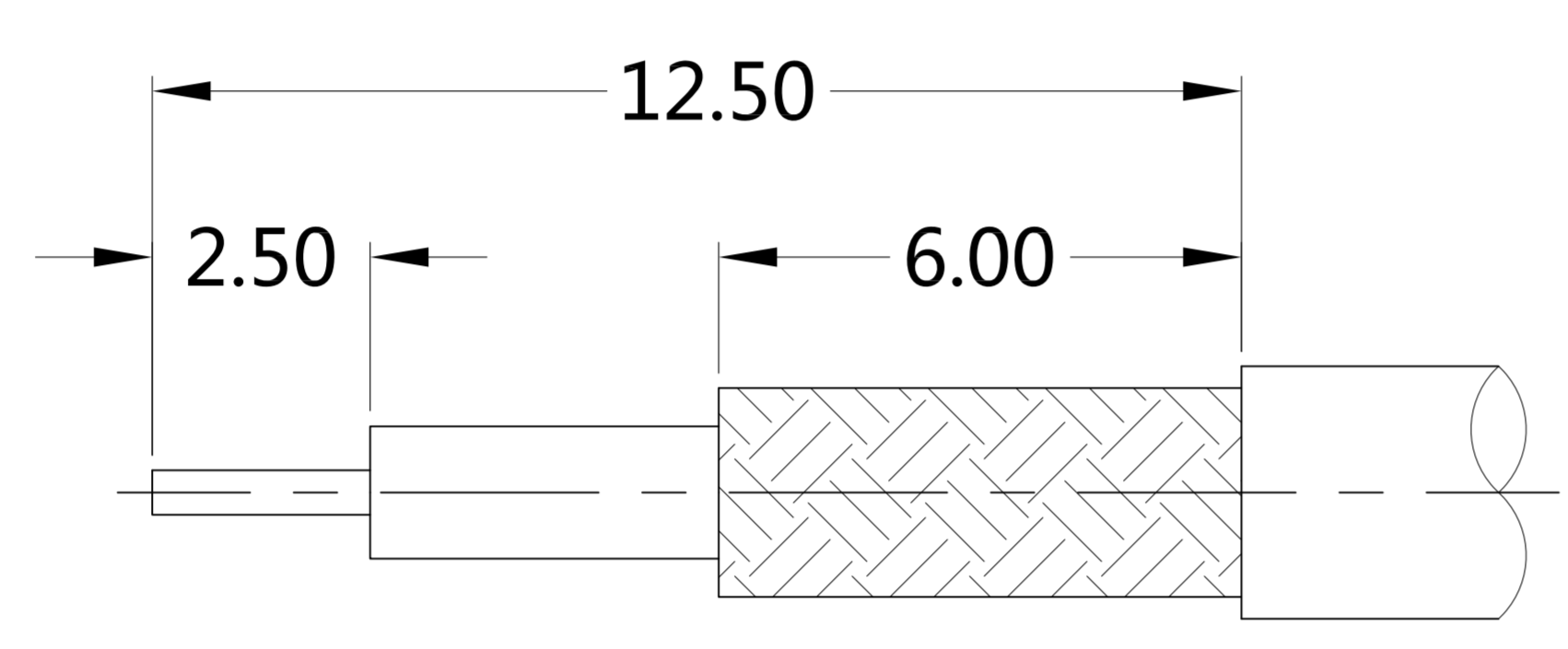
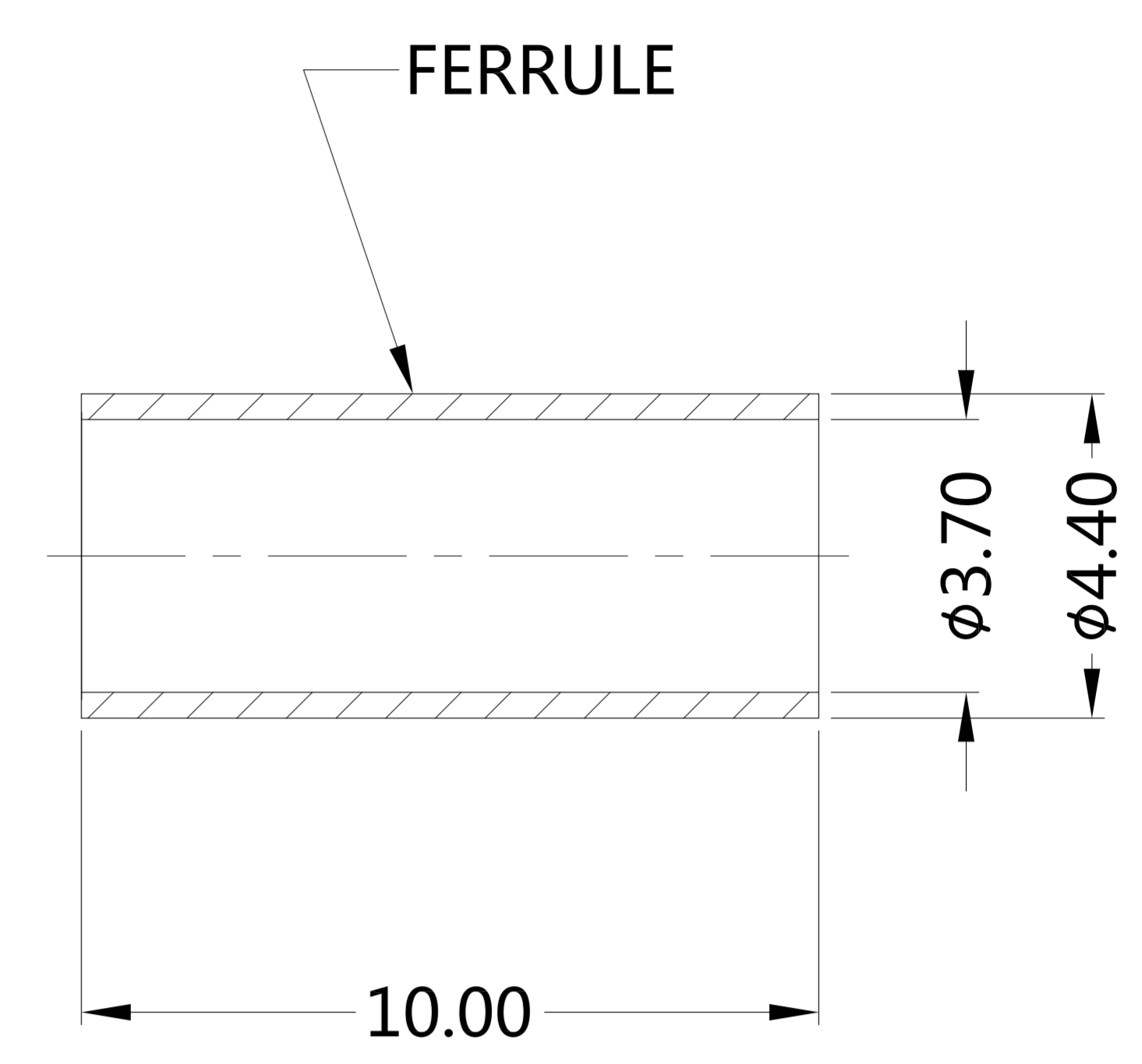
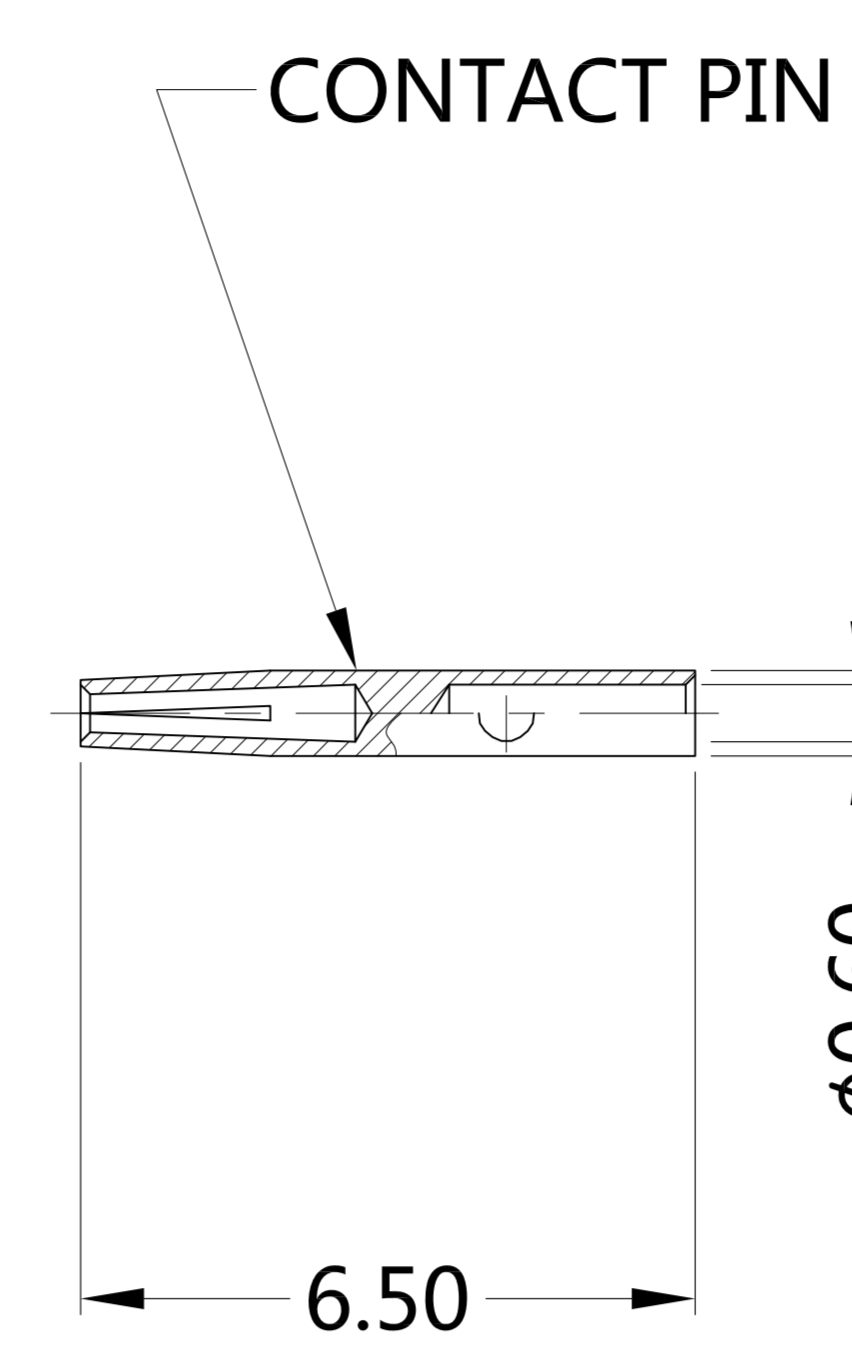
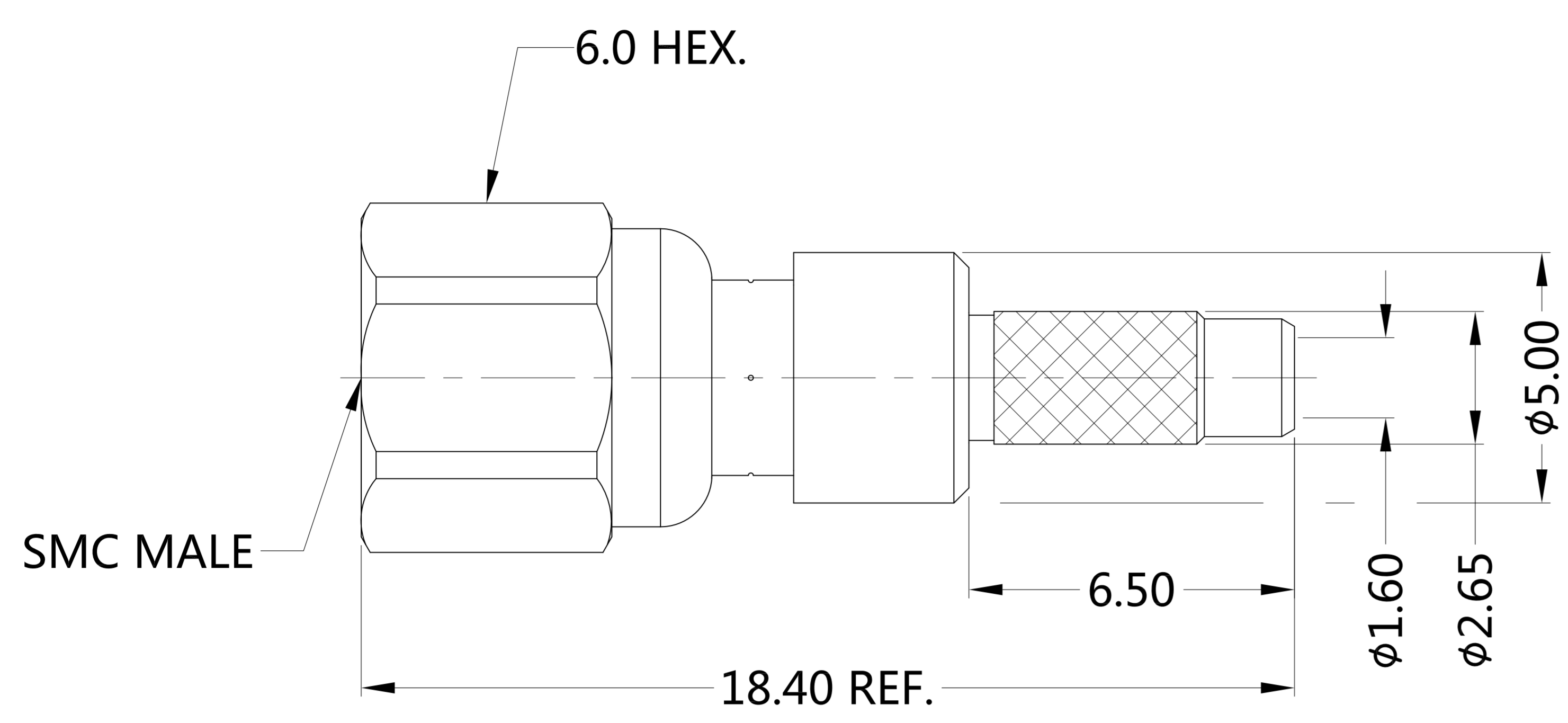


REV.	DESCRIPTION	ECN NO.	NAME	DATE
0	FIRST EDITION	N/A	JASON	2020-10-16

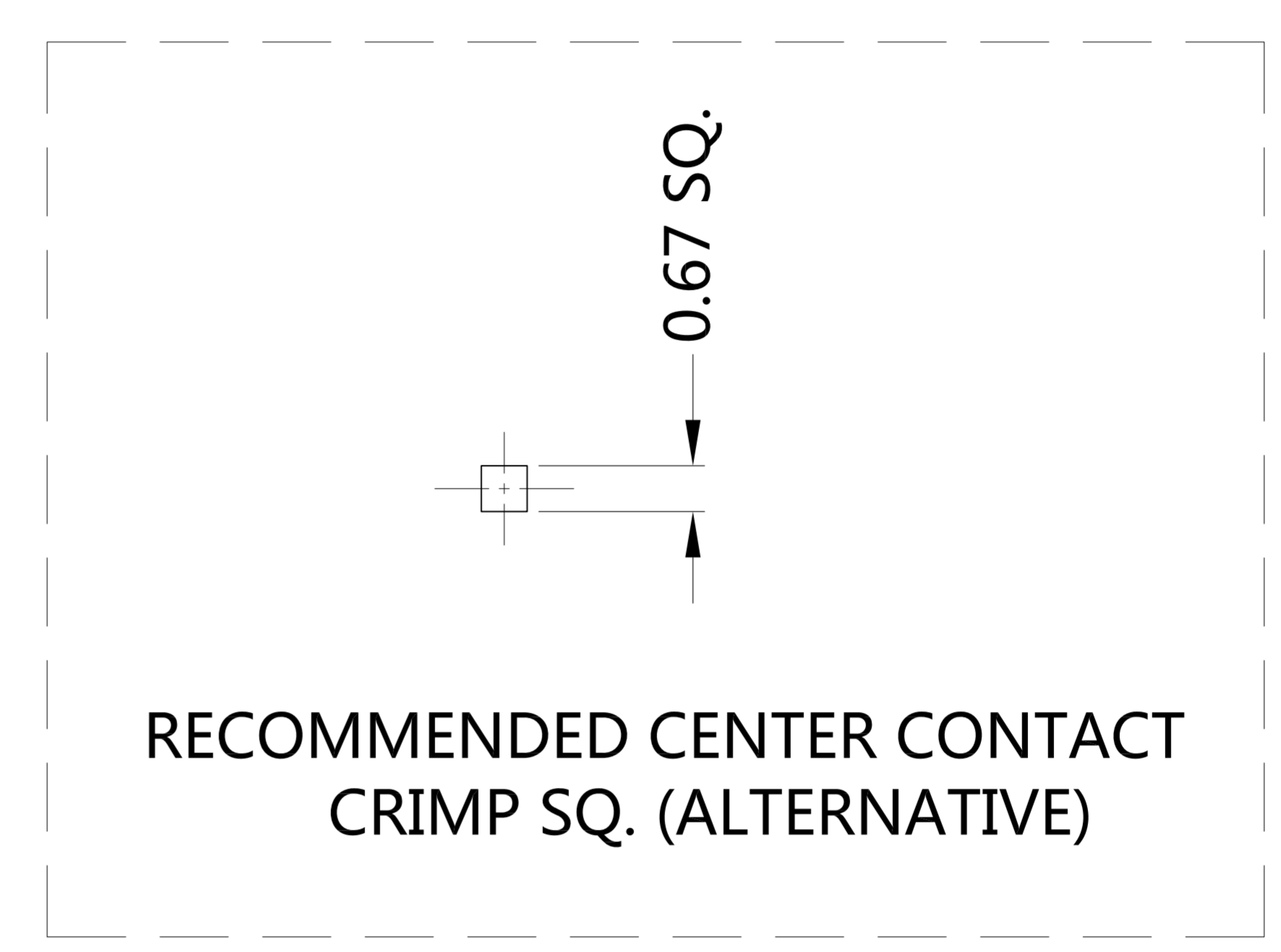
REMARKS:
1.CRIMP FERRULE FOR .150" HEX.



ALL PARTS MUST MEET TO RoHS REQUIREMENTS



RECOMMENDED CABLE STRIPPING DIM'S



RECOMMENDED CENTER CONTACT CRIMP SQ. (ALTERNATIVE)

MATERIALS AND PLATING		UNIT: MICRO-INCHES
PART NAME	MATERIALS	PLATING
BODY	BRASS C3604	GOLD 3 u"/NICKEL/COPPER
CONTACT PIN	Be-Cu C17300	GOLD 5 u"/NICKEL/COPPER
INSULATOR	PTFE ASTM-D-1710	N/A
SHELL	BRASS C3602	GOLD 3 u"/NICKEL/COPPER
FERRULE	BRASS C3602	GOLD 3 u"/NICKEL/COPPER

ELECTRICAL CHARACTERISTICS	
IMPEDANCE	50 Ω
VOLTAGE RATING	250 V(rms)
FREQUENCY RANGE	DC ~ 10 GHz
DIELECTRIC WITHSTANDING VOLTAGE	>750 V
CONTACT RESISTANCE	CENTER CONTACT <6.0 mΩ
	OUTER CONTACT <1.0 mΩ
INSULATION RESISTANCE	>1000 MΩ
INSERTION LOSS	ACCORDING TO THE CABLE
VSWR	<1.35 @DC~3 GHz

MECHANICAL CHARACTERISTICS	
FORCE TO ENGAGE AND DISENGAGE	N/A
CENTER CONTACT RETENTION FORCE	N/A
RECOMMENDED COUPLING TORQUE	30~50 in.ozs
COUPLING NUT RETENTION FORCE	> 35 lbs
DURABILITY	> 500 cycles

ENVIRONMENTAL PARAMETER	
TEMPERATURE RANGE	-65 °C ~ +165 °C

* CUSTOMER OUTLINE DRAWING

UNLESS OTHERWISE SPECIFIED:
 1) EDGES : C0.15 MAX ;
 2) REMOVE ALL BURRS ;
 3) SURFACE ROUGHNESS : Ra1.6 ;
 4) UNITS : mm ;
 5) DIMENSIONS TOLERANCES
 DECIMALS : .x ±0.3 .xx ±0.2 .xxx±0.1 ;
 ANGLES : ± 5°.

THIRD ANGLE PROJECTION	
APPROVED :	CUSTOMER P/N :
CHECKED :	SCALE :
DRAWING : JASON	DATE : 2020-10-16
	PAGE : 1/1

SLK
— SUPERLINK —

TITLE : SMC MALE S/T CRIMP FOR RG316D CABLE, 50Ω

DRAWING NO. : 5AMM11S-A50

COMPANY WEBSITE : www.slkcorp.com

CUSTOMER OUTLINE DRAWING