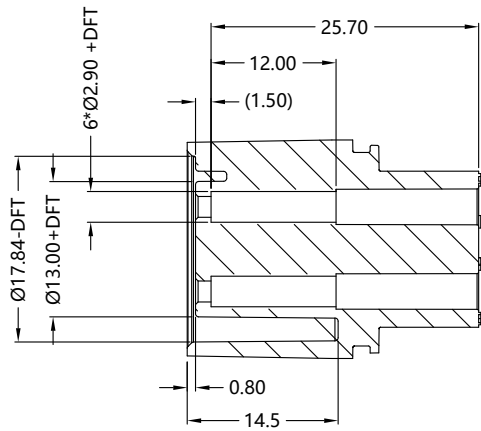
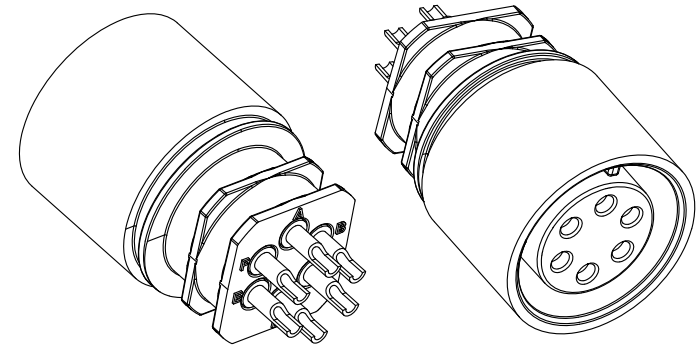
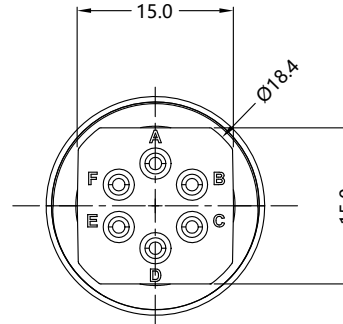
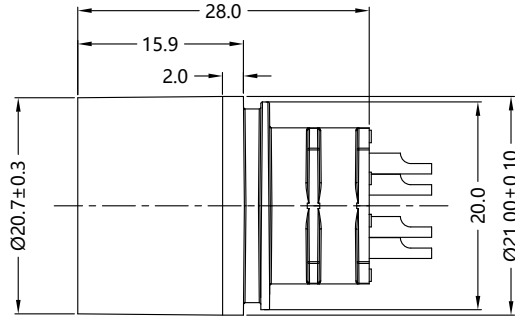
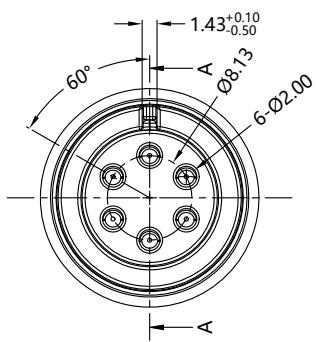
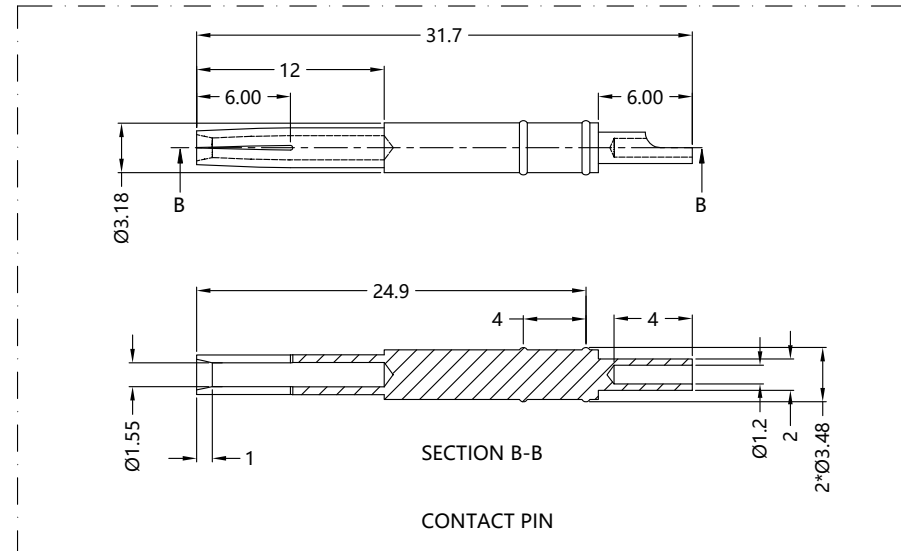


REV	DESCRIPTION	ECN NO.	NAME	DATE
4	Change plating	N/A	Ming	2022-06-06
5	Add contact pin	N/A	Ming	2022-06-06
6	Update the drawing	N/A	Ming	2022-06-08

NOTICE:
 RoHS ALL PARTS MUST MEET TO RoHS REQUIREMENTS



SECTION A-A



SECTION B-B

CONTACT PIN

NOTE :

1. TERMINAL: Phosphor bronze (C54400)
PLATING: GOLD PL. 50u" MIN , THICK OVER ELECTROLESS NICKEL 100~150u".
2. HOSUING: G.E. VALOX 420 SEO,30%GF,RED.,BLACK
3. CONTACT RESISTANCE: 5 mΩ
4. DURABILITY: 1000 cycles
5. TEMPERATURE RANGE: -40 °C ~ +85 °C

ISSUE	5	SCALE	2:1	PART NO.		
UNLESS OTHERWISE SPECIFIED 1) EDGES C0.15 MAX. 2) REMOVE ALL BURRS 3). SURFACE ROUGHNESS Ra1.6 4).UNITS: mm 5).XX±0.15 .X±.30				APPROVED	SLK TITLE 6P RECEPTACLE, FEMALE STRAIGHT	
				CHECKED		DRAWING NO. 5EZ15S-A00-028
				DRAWN	DATE 2022-06-08	Company Website: http://www.slkcorp.com
				CUSTOMER OUTLINE DRAWING		

CUSTOMER OUTLINE DRAWING

CUSTOMER OUTLINE DRAWING