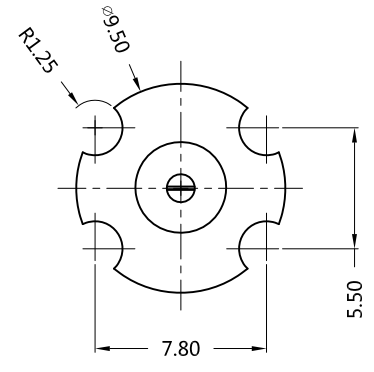
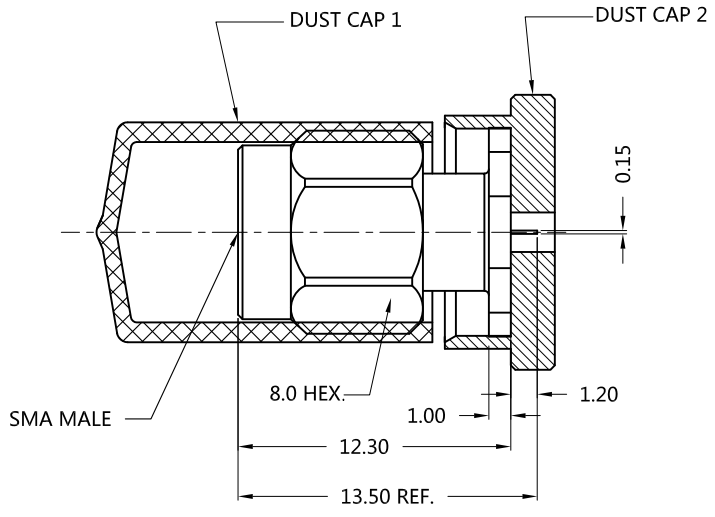


REV.	DESCRIPTION	ECN NO.	NAME	DATE
0	FIRST EDITION	N/A	WYJ	2015-04-08
1	NEW FRAME	N/A	LEI CHAO	2020-06-24



ALL PARTS MUST MEET TO RoHS REQUIREMENTS



MATERIALS AND PLATING		UNIT: MICRO-INCHES
PART NAME	MATERIALS	PLATING
BODY	STAINLESS STEEL	PASSIVATION
INSULATOR	PTFE ASTM-D-1710	N/A
CONTACT PIN	BERYLLIUM COPPER	GOLD 50u"/NICKEL/COPPER
DUST CAP 1	PVC	BLACK
DUST CAP 2	PTFE ASTM-D-1710	N/A

ELECTRICAL CHARACTERISTICS	
IMPEDANCE	50 $\Omega$
VOLTAGE RATING	170 V(rms)
FREQUENCY RANGE	DC ~ 18 GHz
DIELECTRIC WITHSTANDING VOLTAGE	> 500 V
CONTACT RESISTANCE	CENTER CONTACT
	OUTER CONTACT
INSULATION RESISTANCE	> 5000 M $\Omega$
INSERTION LOSS	< 0.05x $\sqrt{F}$ (GHz) dB
VSWR	< 1.2
3RD INTERMODULATION	N/A

MECHANICAL CHARACTERISTICS	
FORCE TO ENGAGE AND DISENGAGE	N/A
CENTER CONTACT RETENTION FORCE	> 6 lbs
RECOMMENDED COUPLING TORQUE	7-10 in-lbs
COUPLING NUT RETENTION FORCE	> 60 lbs
DURABILITY	> 500 cycles

ENVIRONMENTAL PARAMETER	
TEMPERATURE RANGE	-55 $^{\circ}$ C ~ +125 $^{\circ}$ C
RELATIVE HUMIDITY	MIL-STD-202, Method 106
VIBRATION	MIL-STD-202, Method 204, Cond D
SHOCK	MIL-STD-202, Method 213, Cond I
CORROSION	MIL-STD-202, Method 101, Cond B

**\* CUSTOMER OUTLINE DRAWING**

UNLESS OTHERWISE SPECIFIED:  
 1) EDGES : C0.15 MAX ;  
 2) REMOVE ALL BURRS ;  
 3) SURFACE ROUGHNESS : Ra1.6 ;  
 4) UNITS : mm ;  
 5) DIMENSIONS TOLERANCES  
 DECIMALS : .x  $\pm$ 0.3 .xx  $\pm$ 0.2 .xxx  $\pm$ 0.1;  
 ANGLES :  $\pm$  5 $^{\circ}$ .

THIRD ANGLE PROJECTION		
APPROVED :	CUSTOMER P/N :	-
CHECKED :	SCALE :	4 : 1
DRAWING :	DATE :	2020-06-24
	PAGE :	1/1

TITLE : SMA MALE S/T FOR PCB MOUNT, 50 $\Omega$

DRAWING NO. : 5MAM85S-P01

COMPANY WEBSITE : www.slkcorp.com

CUSTOMER OUTLINE DRAWING