

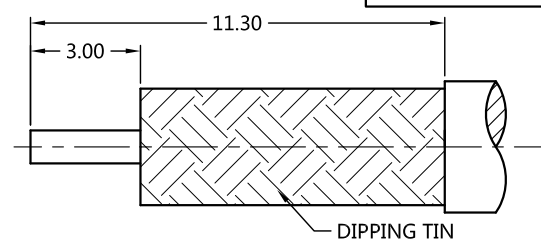
REV.	DESCRIPTION	ECN NO.	NAME	DATE
0	FIRST EDITION	N/A	XU	2016-08-08
0-1	STRUCTURE CHANGED	N/A	XU	2016-08-16
2	Modify voltage	N/A	WMB	2018-04-10
3	NEW FRAME	N/A	HRWEI	2020-07-15



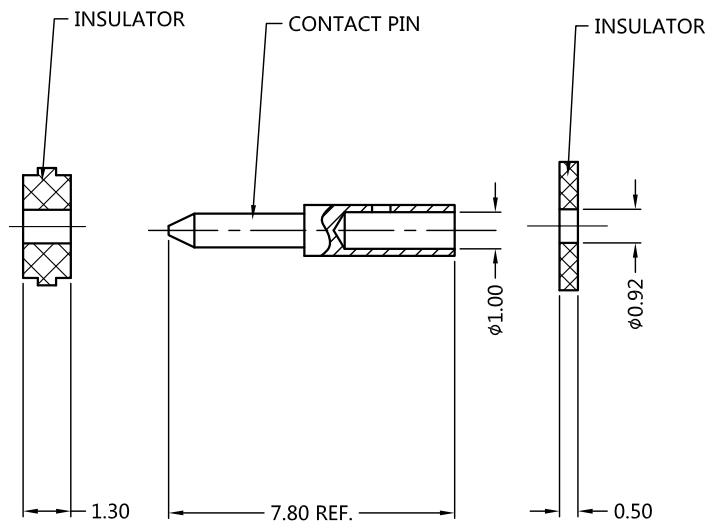
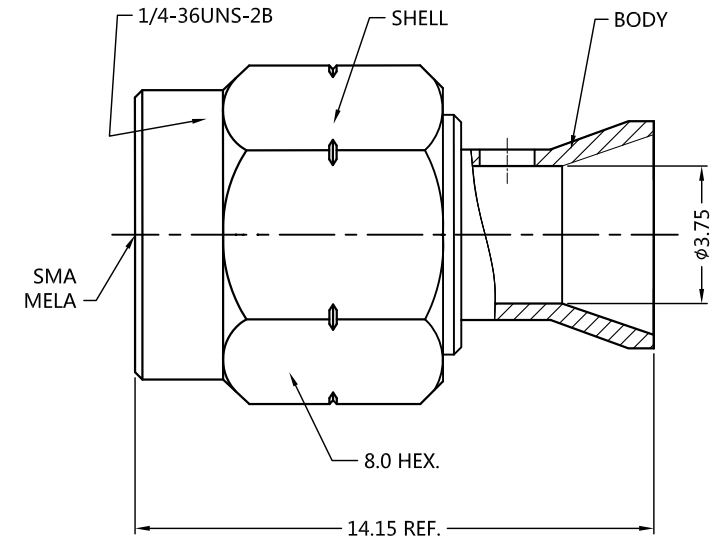
ALL PARTS MUST MEET TO RoHS REQUIREMENTS

NON-MAGNETIC

REMARKS:
 1. ADDS SIZE: 5.65mm
 2. CONTACT PIN TO SOLDER



RECOMMENDED CABLE STRIPPING DIM'S



MATERIALS AND PLATING		UNIT: MICRO-INCHES
PART NAME	MATERIALS	PLATING
BODY/SHELL	NONMAGNETIC BRASS	ALBALOY 80 u"/COPPER
INSULATOR	PTFE ASTM-D-1710	N/A
CONTACT PIN	NONMAGNETIC BeCu	SILVER 200 u"/COPPER

ELECTRICAL CHARACTERISTICS	
IMPEDANCE	50 Ω
VOLTAGE RATING	335 V(rms)
FREQUENCY RANGE	0 ~ 6 GHz
DIELECTRIC WITHSTANDING VOLTAGE	> 500 V
CONTACT RESISTANCE	CENTER CONTACT
	OUTER CONTACT
INSULATION RESISTANCE	> 5000 MΩ
INSERTION LOSS	< 0.1X√f GHz dB
VSWR	1.30
3RD INTERMODULATION	N/A
MAGNETIC INDUCTION	< 33 mGs

MECHANICAL CHARACTERISTICS	
FORCE TO ENGAGE AND DISENGAGE	N/A
CENTER CONTACT RETENTION FORCE	N/A
RECOMMENDED COUPLING TORQUE	11.5~15 in.lbs
COUPLING NUT RETENTION FORCE	> 60 lbs
DURABILITY	> 500 cycles

ENVIRONMENTAL PARAMETER	
TEMPERATURE RANGE	-40 °C ~ +125 °C

CUSTOMER OUTLINE DRAWING

*** CUSTOMER OUTLINE DRAWING**

UNLESS OTHERWISE SPECIFIED:
 1) EDGES : C0.15 MAX ;
 2) REMOVE ALL BURRS ;
 3) SURFACE ROUGHNESS : Ra1.6 ;
 4) UNITS : mm ;
 5) DIMENSIONS TOLERANCES
 DECIMALS : .x ±0.3 .xx ±0.2 .xxx±0.1;
 ANGLES : ± 5°.

THIRD ANGLE PROJECTION	
APPROVED :	CUSTOMER P/N :
CHECKED :	SCALE :
DRAWING :	DATE :
PAGE : 1/1	

TITLE : SMA MALE S/T SOLDER FOR TFLEX-402 CABLE ,50Ω
 DRAWING NO. : NM-5MAM15S-A81-031
 COMPANY WEBSITE : www.slkcorp.com