

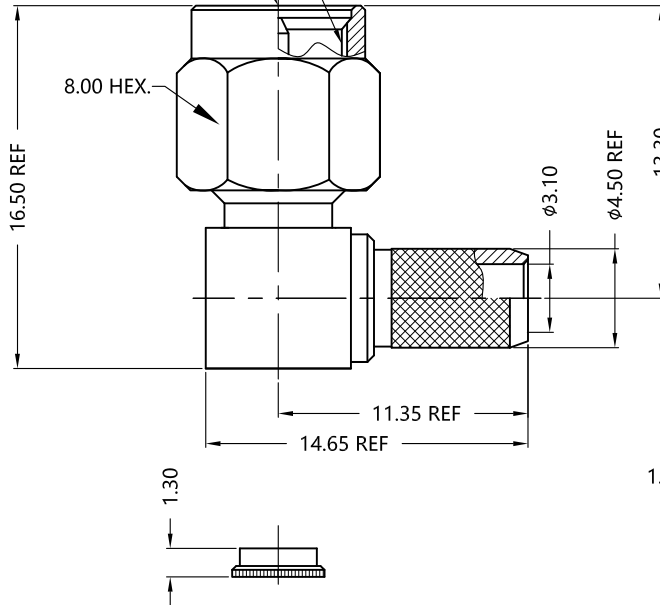
REV.	DESCRIPTION	ECN NO.	NAME	DATE
0	FIRST EDITION	N/A	PY	2020-06-20



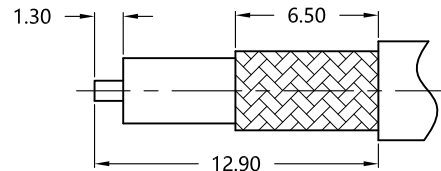
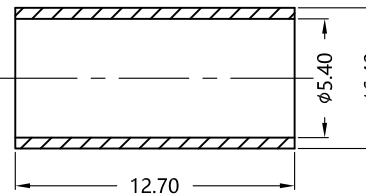
ALL PARTS MUST MEET TO RoHS REQUIREMENTS

1. CRIMPED FERRULE HEX. CRIMP SIZE .216"
2. CONTACT PIN TO SOLDER.

SMA MALE STANDARD INTERFACE
1/4-36UNS-2B



STRIPPING DIM'S



RECOMMENDED CABLE

MATERIALS AND PLATING		UNIT: MICRO-INCHES
PART NAME	MATERIALS	PLATING
BODY/SHELL	STAINLESS STEEL	GOLD 4 u" MIN /NICKEL
INSULATOR	PTFE ASTM-D-1710	N/A
CONTACT PIN	BRASS C3604	GOLD 30u"/NICKEL/COPPER
GASKET	SILICONE	N/A
RING	STAINLESS STEEL	N/A
FERRULE	BRASS C3604	GOLD 4 u" MIN /NICKEL
COVER	STAINLESS STEEL	GOLD 4 u" MIN /NICKEL

ELECTRICAL CHARACTERISTICS	
IMPEDANCE	50 Ω
VOLTAGE RATING	335V(rms)
FREQUENCY RANGE	0 ~ 6 GHz
DIELECTRIC WITHSTANDING VOLTAGE	>500 V
CONTACT RESISTANCE	CENTER CONTACT
	OUTER CONTACT
INSULATION RESISTANCE	>5000 MΩ
INSERTION LOSS	<0.4dB
VSWR	<1.35 @0~6GHz
3RD INTERMODULATION	N/A

MECHANICAL CHARACTERISTICS	
FORCE TO ENGAGE AND DISENGAGE	N/A
CENTER CONTACT RETENTION FORCE	>6 lbs
RECOMMENDED COUPLING TORQUE	>15 in.lbs
COUPLING NUT RETENTION FORCE	>60 lbs
DURABILITY	>500cycles

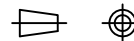
ENVIRONMENTAL PARAMETER	
TEMPERATURE RANGE	-55 °C ~ +125 °C

* CUSTOMER OUTLINE DRAWING

UNLESS OTHERWISE SPECIFIED:

- 1) EDGES : C0.15 MAX ;
- 2) REMOVE ALL BURRS ;
- 3) SURFACE ROUGHNESS : Ra1.6 ;
- 4) UNITS : mm ;
- 5) DIMENSIONS TOLERANCES
DECIMALS : .x ±0.3 .xx ±0.2 .xxx ±0.1 ;
ANGLES : ± 5°.

THIRD ANGLE PROJECTION



APPROVED :

CUSTOMER P/N :

CHECKED :

SCALE :

1 : 1

DRAWING :

DATE : 2020-06-20

PAGE : 1/1



TITLE : SMA MALE R/A FOR RG58 CABLE,50Ω

DRAWING NO. : 5MAM11R-A41-003

COMPANY WEBSITE : www.slkcorp.com

CUSTOMER OUTLINE DRAWING