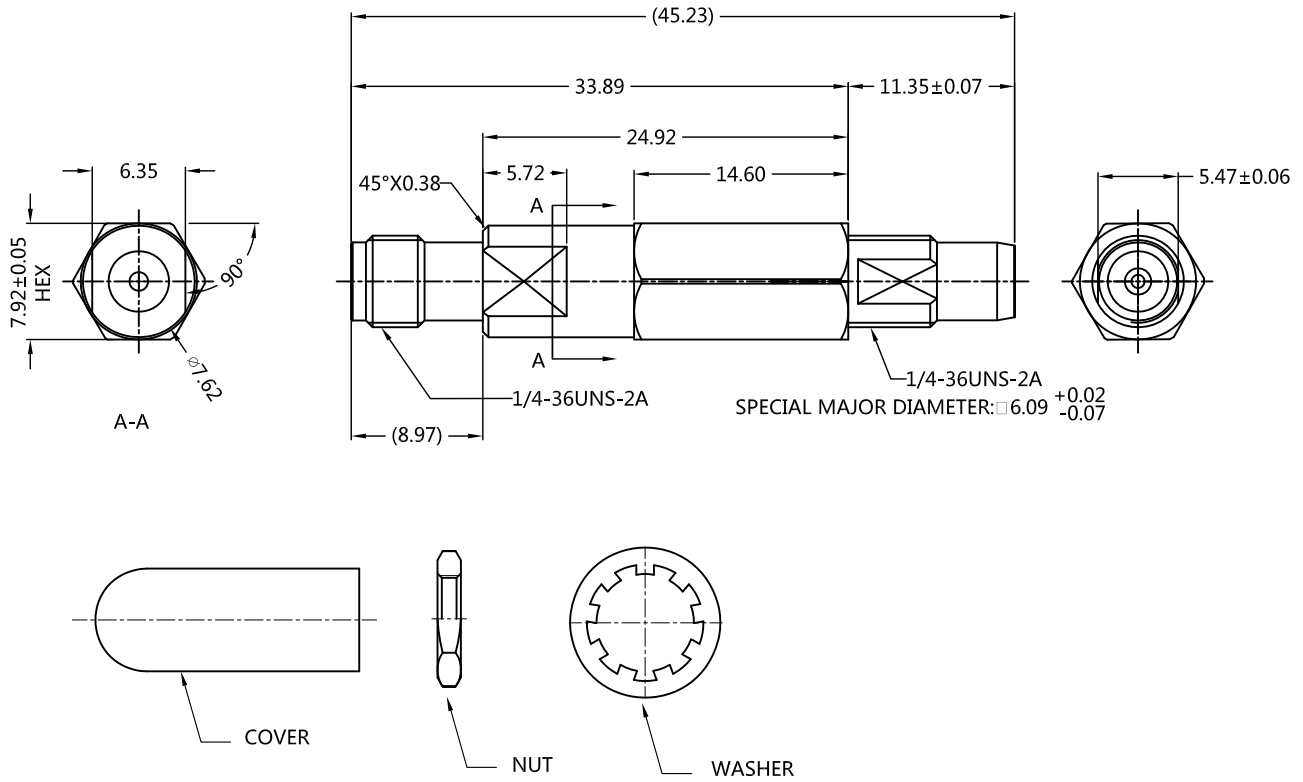


REV.	DESCRIPTION	ECN NO.	NAME	DATE
0	FIRST EDITION	N/A	Michael	2010-11-09
1	UPDATE DRAWING	N/A	LJY	2020-04-23



ALL PARTS MUST MEET TO RoHS REQUIREMENTS



MATERIALS AND PLATING		UNIT: MICRO-INCHES
PART NAME	MATERIALS	PLATING
BODY	STAINLESS STEEL 303	GOLD 30u"/NICKEL/COPPER
INSULATOR	PTFE ASTM-D-1710	N/A
CONTACT PIN	Be-Cu C17300	GOLD 50u"/NICKEL/COPPER
NUT	STAINLESS STEEL 303	GOLD 20u"/NICKEL/COPPER

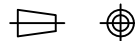
ELECTRICAL CHARACTERISTICS		
IMPEDANCE	50 Ω	
VOLTAGE RATING	335 V(rms)	
FREQUENCY RANGE	0 ~ 18 GHz	
DIELECTRIC WITHSTANDING VOLTAGE	>1000 V	
CONTACT RESISTANCE	CENTER CONTACT	<4.0 mΩ
	OUTER CONTACT	<2.0 mΩ
INSULATION RESISTANCE	>5000 MΩ	
INSERTION LOSS	< 0.06√F(GHZ) dB	
VSWR	< 1.05+0.01*F(GHZ)	
PROPAGATION DELAY	160±5 pSEC	

* CUSTOMER OUTLINE DRAWING

UNLESS OTHERWISE SPECIFIED:

- 1) EDGES : C0.15 MAX ;
- 2) REMOVE ALL BURRS ;
- 3) SURFACE ROUGHNESS : Ra1.6 ;
- 4) UNITS : mm ;
- 5) DIMENSIONS TOLERANCES
 DECIMALS : .x ±0.3 .xx ±0.2 .xxx±0.1;
 ANGLES : ± 5°.

THIRD ANGLE PROJECTION



APPROVED : ZM

CUSTOMER P/N : -

CHECKED : YY

SCALE : -

DRAWING : LJY

DATE : 2020-04-23

PAGE : 1/1



TITLE : SMA JACK TO BMA PLUG ADAPTER

DRAWING NO. : 5BMM06S-MAF

COMPANY WEBSITE : www.slkcorp.com

CUSTOMER OUTLINE DRAWING