
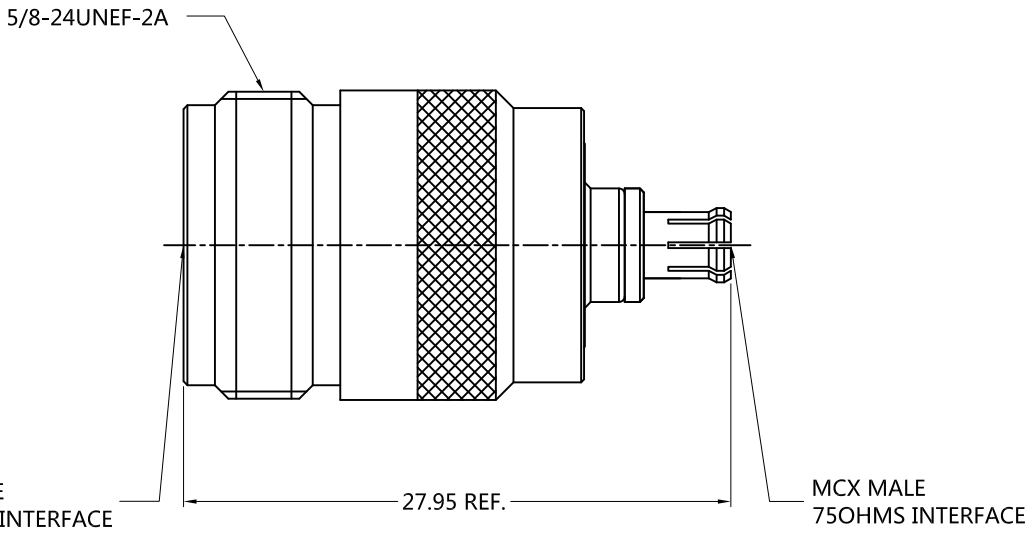


REV.	DESCRIPTION	ECN NO.	NAME	DATE	 ALL PARTS MUST MEET TO RoHS REQUIREMENTS
0	FIRST EDITION	N/A	YWD	2017-12-15	
1	NEW FRAME	N/A	HYH	2020-07-11	



MATERIALS AND PLATING		UNIT: MICRO-INCHES
PART NAME	MATERIALS	PLATING
BODY	BRASS C3604	ALBALOY PL.80u"/COPPER
CONTACT PIN	Be-Cu C17300	GOLD PL.30u"/ NICKEL/ COPPER
INSULATOR	PTFE ASTM-D-1710	N/A
BODY (MCX)	Be-Cu C17300	GOLD PL.15 u"/NICKEL/COPPER

ELECTRICAL CHARACTERISTICS		
IMPEDANCE	75 Ω	
VOLTAGE RATING	250 V(rms)	
FREQUENCY RANGE	0 ~ 3 GHz	
DIELECTRIC WITHSTANDING VOLTAGE	>750 V	
CONTACT RESISTANCE	CENTER CONTACT	N/A
	OUTER CONTACT	N/A
INSULATION RESISTANCE	>1000 MΩ	
INSERTION LOSS	<0.1	
VSWR	<1.1	
3RD INTERMODULATION	N/A	

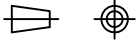
MECHANICAL CHARACTERISTICS	
FORCE TO ENGAGE AND DISENGAGE	N/A
CENTER CONTACT RETENTION FORCE	>6 lbs
RECOMMENDED COUPLING TORQUE	N/A
COUPLING NUT RETENTION FORCE	N/A
DURABILITY	>500 cycles

ENVIRONMENTAL PARAMETER	
TEMPERATURE RANGE	-40 °C~+165 °C

CUSTOMER OUTLINE DRAWING

**\* CUSTOMER OUTLINE DRAWING**

UNLESS OTHERWISE SPECIFIED:  
 1) EDGES : C0.15 MAX ;  
 2) REMOVE ALL BURRS ;  
 3) SURFACE ROUGHNESS : Ra1.6 ;  
 4) UNITS : mm ;  
 5) DIMENSIONS TOLERANCES  
 DECIMALS : .x ±0.3 .xx ±0.2 .xxx±0.1;  
 ANGLES : ± 5°.

THIRD ANGLE PROJECTION		
APPROVED :	CUSTOMER P/N :	
CHECKED :	SCALE :	1 : 1
DRAWING :	DATE :	2020-07-11
	PAGE :	1/1



TITLE :	N FEMALE TO MCX MALE ADPTOR,75Ω
DRAWING NO. :	7MXM06S-NCF
COMPANY WEBSITE :	www.slkcorp.com