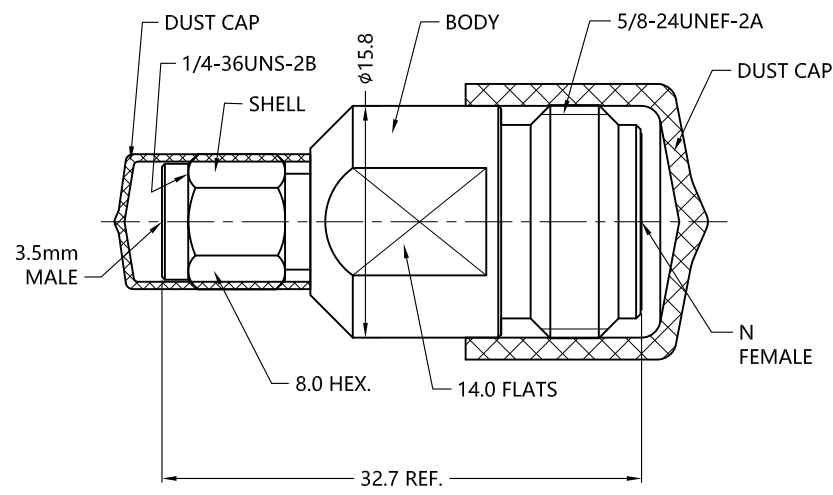


REV.	DESCRIPTION	ECN NO.	NAME	DATE
0	FIRST EDITION	N/A	YWD	2019-01-02
1	NEW FRAME	N/A	HRWEI	2020-07-04



ALL PARTS MUST MEET TO RoHS REQUIREMENTS



MATERIALS AND PLATING		UNIT: MICRO-INCHES
PART NAME	MATERIALS	PLATING
BODY	BRASS	ALBALOY 80 u"/COPPER
INSULATOR	HIPS	N/A
CONTACT PIN	Be-Cu	GOLD 30 u"/COPPER
SHELL	STAINLESS STEEL	PASSIVATION

ELECTRICAL CHARACTERISTICS	
IMPEDANCE	50 $\Omega$
VOLTAGE RATING	335 V(rms)
FREQUENCY RANGE	0 ~ 18 GHz
DIELECTRIC WITHSTANDING VOLTAGE	>1000 V
CONTACT RESISTANCE	CENTER CONTACT <1.0 m $\Omega$
	OUTER CONTACT <0.2 m $\Omega$
INSULATION RESISTANCE	>1000 M $\Omega$
INSERTION LOSS	<0.1 $\sqrt{f}$ GHz dB
VSWR	<1.15
3RD INTERMODULATION	N/A

MECHANICAL CHARACTERISTICS	
FORCE TO ENGAGE AND DISENGAGE	N/A
CENTER CONTACT RETENTION FORCE	>6 lbs
RECOMMENDED COUPLING TORQUE	7-10 in-lbs
COUPLING NUT RETENTION FORCE	>100 lbs
DURABILITY	>500 cycles

ENVIRONMENTAL PARAMETER	
TEMPERATURE RANGE	-40 °C ~ +125 °C

CUSTOMER OUTLINE DRAWING

**\* CUSTOMER OUTLINE DRAWING**

UNLESS OTHERWISE SPECIFIED:  
 1) EDGES : C0.15 MAX ;  
 2) REMOVE ALL BURRS ;  
 3) SURFACE ROUGHNESS : Ra1.6 ;  
 4) UNITS : mm ;  
 5) DIMENSIONS TOLERANCES  
 DECIMALS : .x  $\pm 0.3$  .xx  $\pm 0.2$  .xxx  $\pm 0.1$  ;  
 ANGLES :  $\pm 5^\circ$ .

THIRD ANGLE PROJECTION	
APPROVED :	CUSTOMER P/N :
CHECKED :	SCALE :
DRAWING :	DATE :
PAGE : 1/1	

**SLK**  
 SUPERLINK

TITLE : 3.5mm MALE S/T TO N FEMALE ADAPTER,50 $\Omega$

DRAWING NO. : T-5NCF06S-P3M

COMPANY WEBSITE : www.slkcorp.com