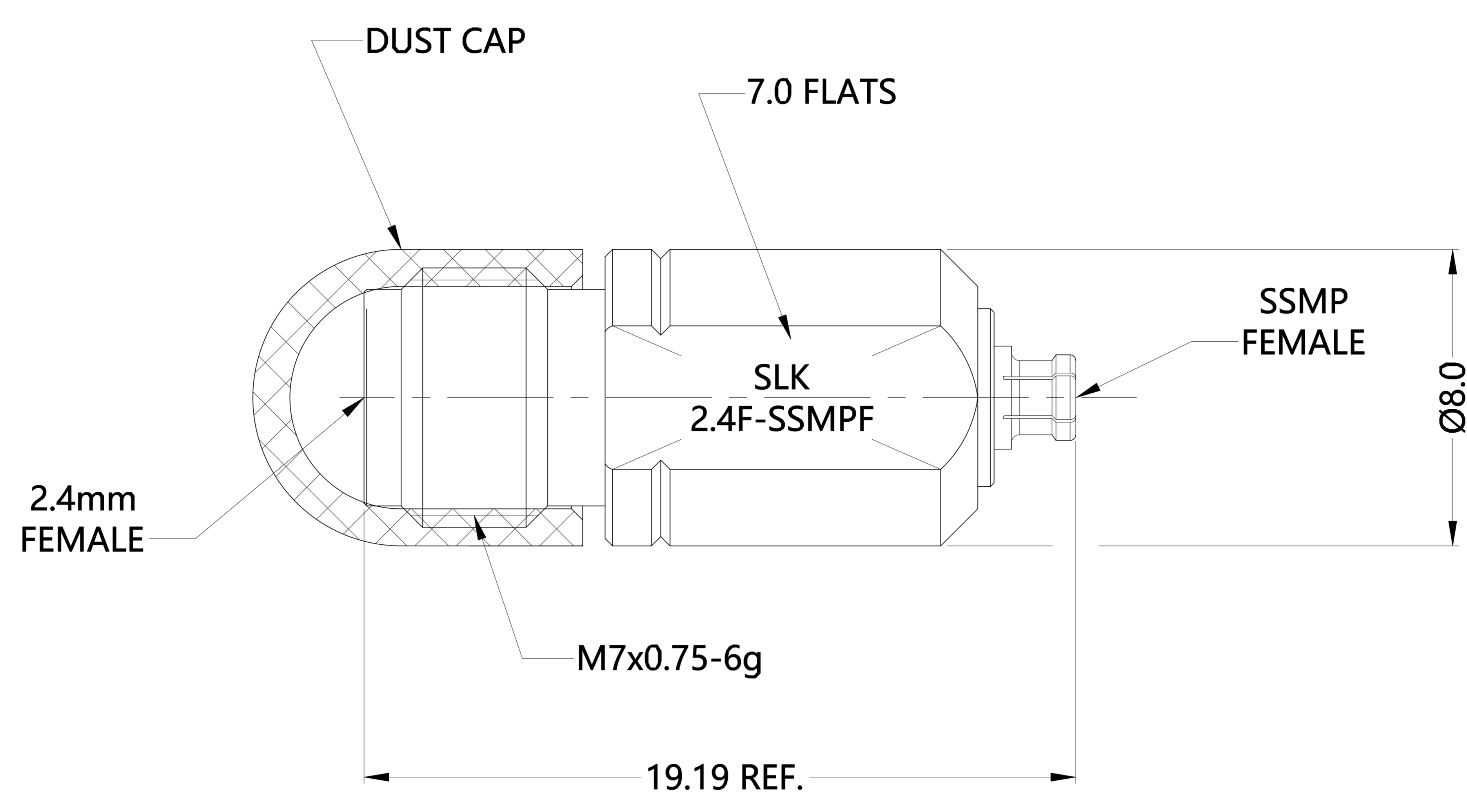


1	2	3	4	5	6
REV.	DESCRIPTION	ECN NO.	NAME	DATE	
2	UPDATE FREQUENCY AND VSWR	N/A	JASON	2021-07-06	



ALL PARTS MUST MEET TO RoHS REQUIREMENTS



MATERIALS AND PLATING		UNIT: MICRO-INCHES
PART NAME	MATERIALS	PLATING
BODY	STAINLESS STEEL 303Cu	PASSIVATION
	Be-Cu C17300	GOLD 50 u"/NICKEL/COPPER
INSULATOR	PEI	AMBER
CONTACT PIN	Be-Cu C17300	GOLD 50 u"/NICKEL/COPPER

ELECTRICAL CHARACTERISTICS	
IMPEDANCE	50 Ω
VOLTAGE RATING	335 V(rms)
FREQUENCY RANGE	DC ~ 20 GHz ²
DIELECTRIC WITHSTANDING VOLTAGE	>500 V
CONTACT RESISTANCE	CENTER CONTACT
	OUTER CONTACT
INSULATION RESISTANCE	>1000 MΩ
INSERTION LOSS	<0.10 x √F(GHz) dB
VSWR	<1.15 ²

MECHANICAL CHARACTERISTICS		
CENTER CONTACT RETENTION FORCE		>6 lbs
FORCE TO ENGAGE (SSMP)	FULL DETENT	4.5 lbs (TYPICAL)
	SMOOTH BORE	2.5 lbs (TYPICAL)
FORCE TO DISENGAGE (SSMP)	FULL DETENT	6.5 lbs (TYPICAL)
	SMOOTH BORE	1.5 lbs (TYPICAL)
DURABILITY (SSMP)	FULL DETENT	>100 CYCLES
	SMOOTH BORE	>500 CYCLES
DURABILITY (2.4mm)		>500 CYCLES

ENVIRONMENTAL PARAMETER	
TEMPERATURE RANGE	-40 °C ~ +85 °C
RELATIVE HUMIDITY	MIL- STD-202, Method 106
VIBRATION	MIL- STD-202, Method 204, Cond D
SHOCK	MIL- STD-202, Method 213, Cond I
CORROSION	MIL- STD-202, Method 101, Cond B

*** CUSTOMER OUTLINE DRAWING**

UNLESS OTHERWISE SPECIFIED:
 1) EDGES : C0.15 MAX ;
 2) REMOVE ALL BURRS ;
 3) SURFACE ROUGHNESS : Ra1.6 ;
 4) UNITS : mm ;
 5) DIMENSIONS TOLERANCES
 DECIMALS : .x ±0.3 .xx ±0.2 .xxx±0.1 ;
 ANGLES : ± 5°.

THIRD ANGLE PROJECTION		
APPROVED :	CUSTOMER P/N :	
CHECKED :	SCALE :	1:1
DRAWING :	DATE :	2021-07-06
JASON	PAGE :	1/1

TITLE : 2.4mm FEMALE TO SSMP FEMALE ADAPTOR, 50Ω

DRAWING NO. : 5MPF06S-P4F

COMPANY WEBSITE : www.slkcorp.com

CUSTOMER OUTLINE DRAWING