
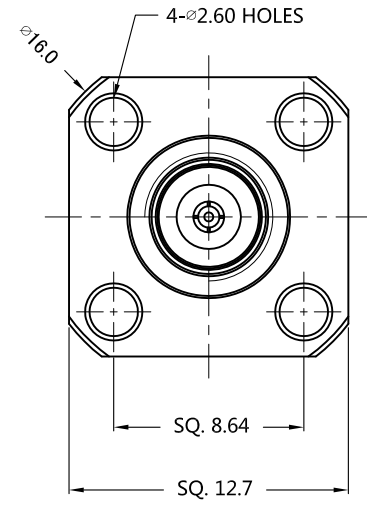
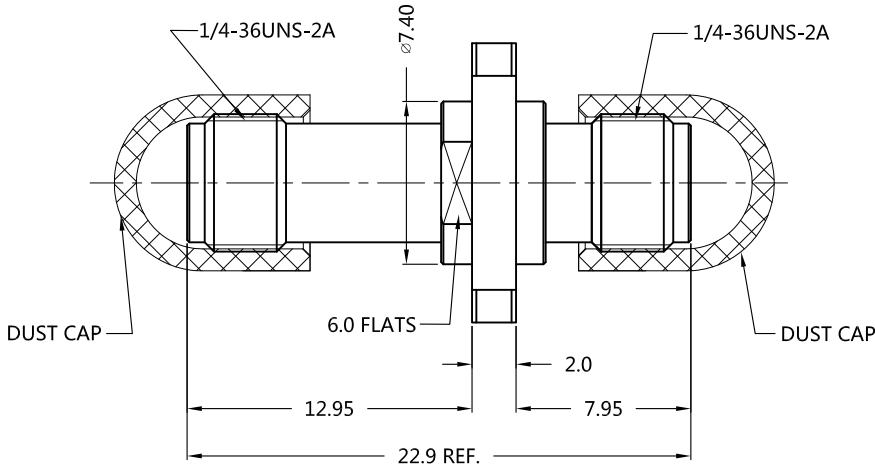
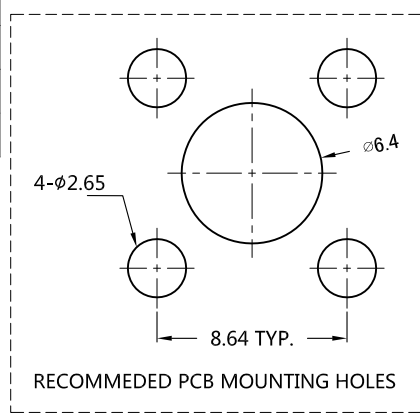


REV.	DESCRIPTION	ECN NO.	NAME	DATE	 ALL PARTS MUST MEET TO RoHS REQUIREMENTS
0	FIRST EDITION	N/A	Liu	2019-06-03	
1	MODIFICATUON PLATING	N/A	Liu	2019-06-21	
2	UPDATE DRAWING	N/A	JASON	2020-04-22	



MATERIALS AND PLATING		UNIT: MICRO-INCHES
PART NAME	MATERIALS	PLATING
BODY	STAINLESS STEEL	PASSIVATION
CONTACT PIN	Be-Cu C17300	GOLD 50u"/COPPER
INSULATOR	PEI	N/A
DUST CAP	PVC	N/A


ELECTRICAL CHARACTERISTICS	
IMPEDANCE	50 Ω
VOLTAGE RATING	N/A
FREQUENCY RANGE	0 ~ 40 GHz
DIELECTRIC WITHSTANDING VOLTAGE	>1000 V
CONTACT RESISTANCE	CENTER CONTACT <3.0 mΩ
	OUTER CONTACT <2.0 mΩ
INSULATION RESISTANCE	>1000 MΩ
INSERTION LOSS	< 0.08x√F(GHz) dB
VSWR	<1.25
3RD INTERMODULATION	N/A

MECHANICAL CHARACTERISTICS	
FORCE TO ENGAGE AND DISENGAGE	N/A
CENTER CONTACT RETENTION FORCE	> 6 lbs
RECOMMENDED COUPLING TORQUE	N/A
COUPLING NUT RETENTION FORCE	N/A
DURABILITY	> 500 cycles

ENVIRONMENTAL PARAMETER	
TEMPERATURE RANGE	-65 °C ~ +165 °C

CUSTOMER OUTLINE DRAWING

*** CUSTOMER OUTLINE DRAWING**

UNLESS OTHERWISE SPECIFIED: 1) EDGES : C0.15 MAX ; 2) REMOVE ALL BURRS ; 3) SURFACE ROUGHNESS : Ra1.6 ; 4) UNITS : mm ; 5) DIMENSIONS TOLERANCES DECIMALS : .x ±0.3 .xx ±0.2 .xxx±0.1 ; ANGLES : ± 5°.	THIRD ANGLE PROJECTION		 TITLE : 2.92mm FEMALE TO 2.92mm FEMALE ADAPTER WITH 4-HOLES FLANGE DRAWING NO. : 5P9F86S-P9F-002 COMPANY WEBSITE : www.slkcorp.com
	APPROVED :	CUSTOMER P/N :	
	CHECKED :	SCALE : 1 : 1	
	DRAWING : JASON	DATE : 2020-04-22	
		PAGE : 1/1	