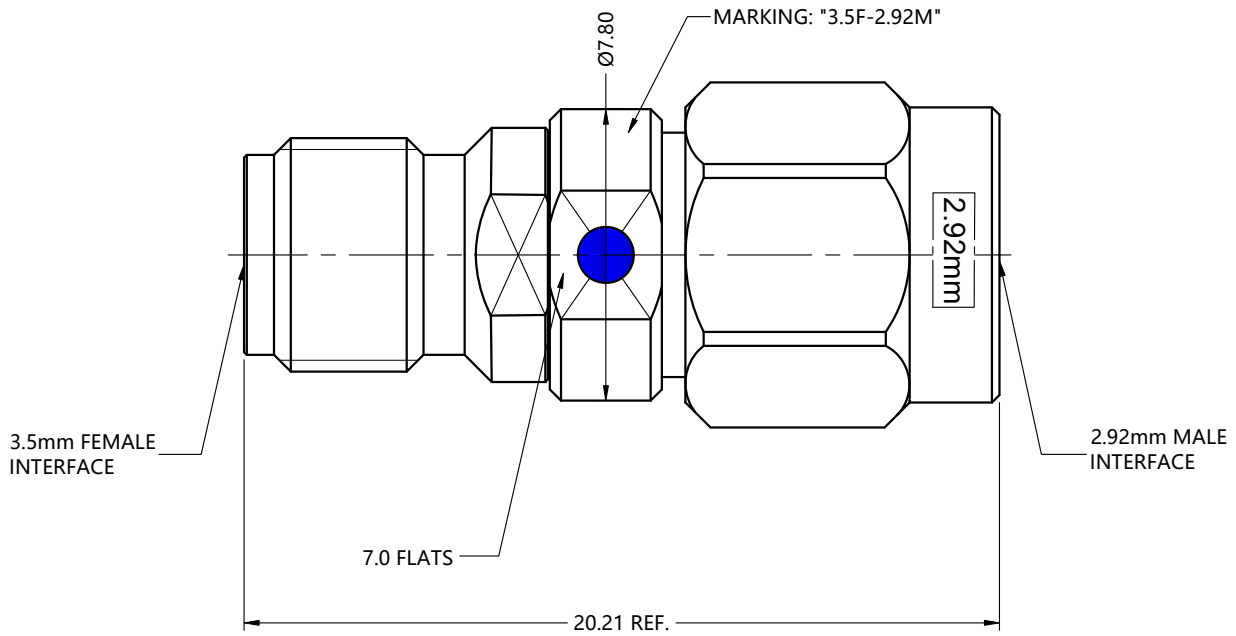


1	2	3	4	5	6
版本(REV.)	描述(DESCRIPTION)	变更号(ECN NO.)	签名(NAME)	日期(DATE)	
0	FIRST EDITION	N/A	XJ	2021-11-01	



ALL PARTS MUST MEET TO RoHS REQUIREMENTS

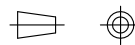


MATERIALS AND PLATING			ELECTRICAL CHARACTERISTICS		
UNIT: MICRO-INCHES					
PART NAME	MATERIALS	PLATING			
BODY /SHELL	STAINLESS STEEL	PASSIVATION	IMPEDANCE	50 Ω	
CONTACT PIN	BERYLLIUM COPPER	GOLD 50u"/NICKEL	VOLTAGE RATING	250 V(rms)	
INSULATOR	PEI	N/A	FREQUENCY RANG	DC ~ 26.5 GHz	
RETAIN RING	BERYLLIUM COPPER	N/A	DIELECTRIC WITHSTANDING VOLATGE	> 500 V	
			CONTACT RESISTANCE	CENTER CONTACT	<3.0 mΩ
				OUTER CONTACT	<2.0 mΩ
			INSULATION RESISTANCE	> 5000 MΩ	
			INSERTION LOSS	< 0.05 \sqrt{F} (GHz) dB	
			VSWR	< 1.20	
			3RD INTERMODULATION	N/A	
MECHANICAL CHARACTERISTICS			ENVIRONMENTAL CHARACTERISTICS		
FORCE TO ENGAGE AND DISENGAGE	N/A		TEMPERATURE RANGE	-55 °C~+125 °C	
CENTER CONTACT RETENTION FORCE	> 6 lbs				
COUPLING PROOF TORQUE	5.3-8.9 in-lbs				
COUPLING NUT RETENTION FORCE	> 60 lbs				
DURABILITY	> 500 cycles				

*CUSTOMER OUTLINE DRAWING:

UNLESS OTHERWISE SPECIFIED:
 1)EDGES: C0.15 MAX;
 2)REMOVE ALL BURRS;
 3)SURFACE ROUGHNESS: Ra0.8;
 4)UNITS:mm;
 5)DIMENSIONS TOLERANCES
 DECIMALS .x ±0.2 .xx ±0.1 .xxx±0.05
 ANGLES ±3°

THIRD ANGLE PROJECTION



APPROVED:

CUSTOMER P/N:

CHECKED:

SCALE:

DRAWING:

DATE: 2021-11-01

PAGE: 1/1



TITLE: 3.5mm FEMALE TO 2.92mm MALE S/T ADAPTER,50Ω

DRAWING NO.: T-5P3F06S-P9M-002

COMPANY WEBSITE: www.slkcorp.com

CUSTOMER OUTLINE DRAWING